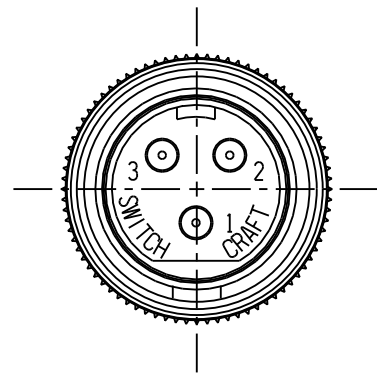
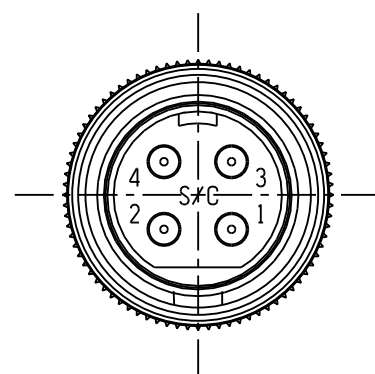


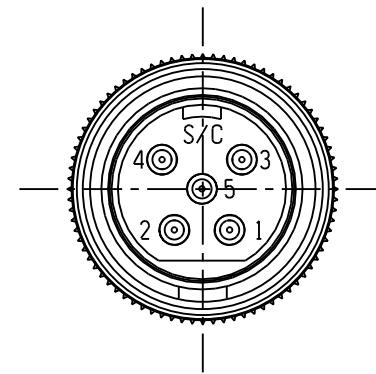
SL402MX
2 PIN



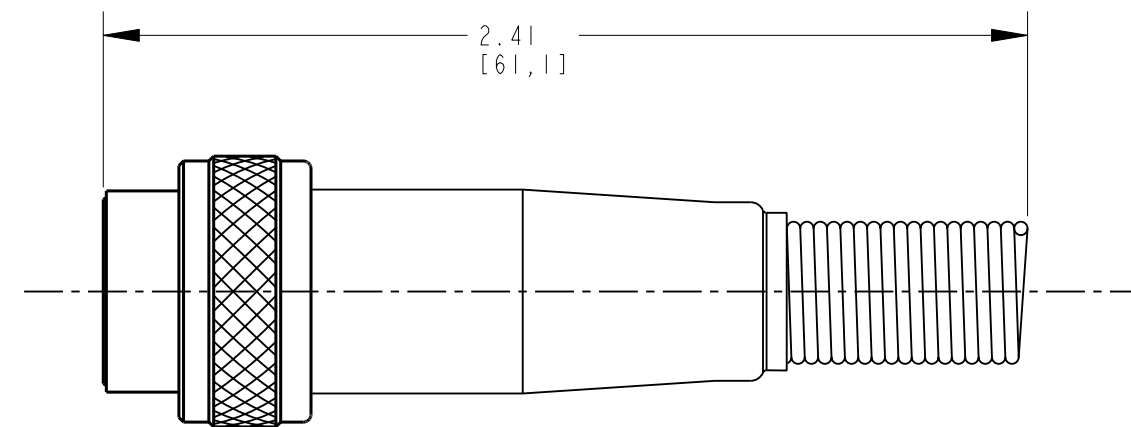
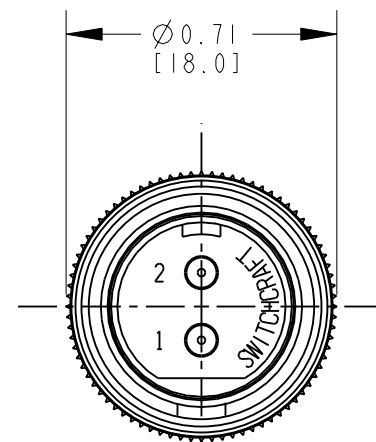
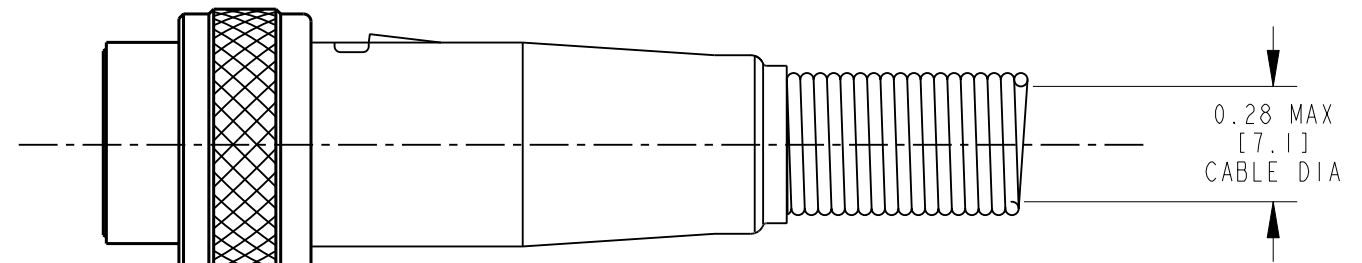
SL403MX
3 PIN



SL404MX
4 PIN



SL405MX
5 PIN



CUSTOMER DRAWING

NOTES:

- MATERIALS:
HOUSING - COPPER ALLOY, NICKEL PLATED
INSERT - GLASS REINFORCED THERMOPLASTIC
CONTACTS - COPPER ALLOY, SILVER PLATED
CABLE CLAMP - STEEL, TIN PLATED
STRAIN RELIEF - STEEL, NICKEL PLATED
LATCH - STEEL, NICKEL PLATED

2. THESE PRODUCTS ARE RoHS COMPLIANT.

					★ STAR SYMBOL DENOTES CRITICAL DIMENSION	THIS DRAWING DESCRIBES A DESIGN CONSIDERED PROPRIETARY IN NATURE, DEVELOPED AND MANUFACTURED BY SWITCHCRAFT INC. AND IS RELEASED ON A CONFIDENTIAL BASIS FOR IDENTIFICATION PURPOSES ONLY.					
					UNLESS OTHERWISE SPECIFIED	SIZE	WIDTH	MULT	LBS/M	TEMPER	
E	27522	6-9-15	TO	TJK	1. ALL DIMENSIONS IN INCHES - TWO PLACE DECIMALS ±0.01 - THREE PLACE DECIMALS ±0.005 - ANGLES ±1° - ALL DIA. CONCENTRIC WITHIN 0.005 T.I.R.	FINISH		MATERIAL			
D	27214	10-28-13	TO	TJK		SPEC No.		SPEC No.			
C	27066	12-12-12	TO	TJK		FIRST USED ON		SCALE			
B	26680	1-7-11	TO	TJK	DATE DRAWN		BY	CHKD	APVD		
A	26152	9-18-06	JEB	TJK	07-Jan-09		JEB	JEB	TJK		
REV	ECO NUMBER	DATE	BY	APVD	3. REMOVE ALL BURRS		NAME		PART No.	REV	
REVISIONS					DO NOT SCALE DRAWING	SLIM-LINE MALE		CORD PLUG CONNECTOR, RoHS		SL402MX-SL405MX	E