

# TPC Series Tri-direction Scan Switch

## Features/Benefits

- One touch, 3 way switching
- Superior tactile feel
- Rotation of actuator closes two individual contacts
- Ultra-low profile housing
- Normally open contacts
- Custom actuator by request

## Typical Applications

- Mobile phones, pagers
- PDA
- Handheld electronic devices
- Digital cameras, camcorders
- Communication equipment



## Construction

FUNCTION: Multi-directional momentary action  
 CONTACT ARRANGEMENT: Make contact = SP, N.O.  
 TERMINALS: Gullwing type for SMT

## Mechanical

MAXIMUM ACTUATION FORCE: 40 N (8.8 lbs.) in any direction.  
 OPERATING FORCE/TRAVEL:

Direction	Actuation Force	Travel
Left	1.0 N ± 0.5	16° ± 2°
Right	1.0 N ± 0.5	16° ± 2°
Select	2.2 N ± 0.75	0.75 mm ± 0.15 (0.030 ± 0.006)

## Packaging

Switches are delivered in tape and reels of 2,000 pieces. The reel diameter is 330 mm (12.99). The tape width 24 mm (0.945) conforms to the EIA-RS-481 and EC-2863 norms.

## Electrical

MAXIMUM POWER: 1.0 VA  
 MAXIMUM VOLTAGE: 50 V  
 MAXIMUM CURRENT DC: 50 mA  
 MINIMUM CURRENT DC: 1 mA  
 LOW LEVEL USE: 20mV-1mA  
 DIELECTRIC STRENGTH: 250 VDC  
 CONTACT RESISTANCE: ≤ 300 mΩ (select) ≤ 600 mΩ (left & right)  
 INSULATION RESISTANCE (100 VDC): 10<sup>9</sup>Ω  
 BOUNCE TIME: < 10 ms

## Environmental

OPERATING TEMPERATURE: -40°C to 125°C  
 STORAGE TEMPERATURE: -55°C to 125°C

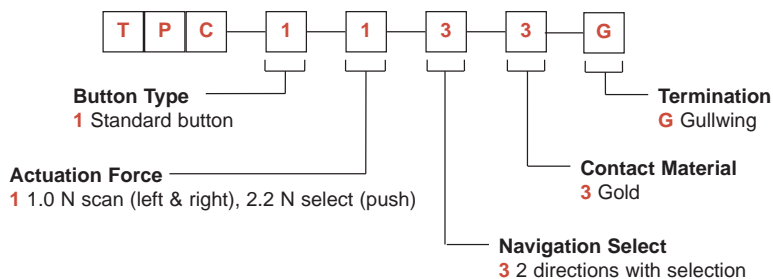
## Process

Soldering process: Infrared according to CECC 00802

**NOTE:** Specifications listed above are for switches with standard options.  
 For information on specific and custom switches, consult Customer Service Center.

## How To Order

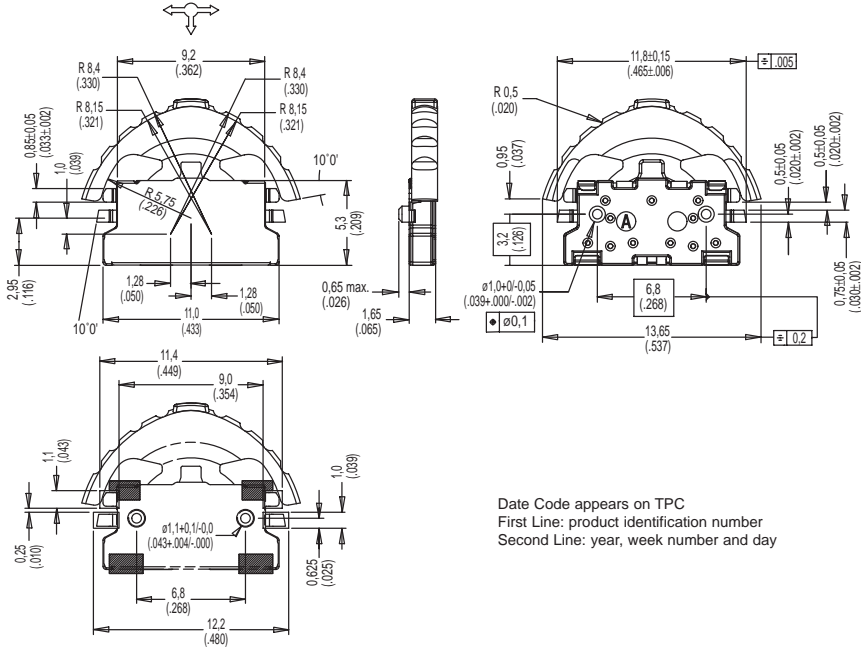
Our easy build-a-switch concept allows you to mix and match options to create the switch you need. To order, select desired option from each category and place it in the appropriate box.



# TPC Series Tri-direction Scan Switch

## SERIES

### TPC



Navigation

## BUTTON TYPE

1 STANDARD BUTTON

## ACTUATION FORCE

1 1.0N SIDE (left & right), 2.2N SELECT (push)

## CONTACT ARRANGEMENT

OPTION CODE	ARRANGEMENT
3	2 DIRECTIONS WITH SELECTION

# TPC Series Tri-direction Scan Switch

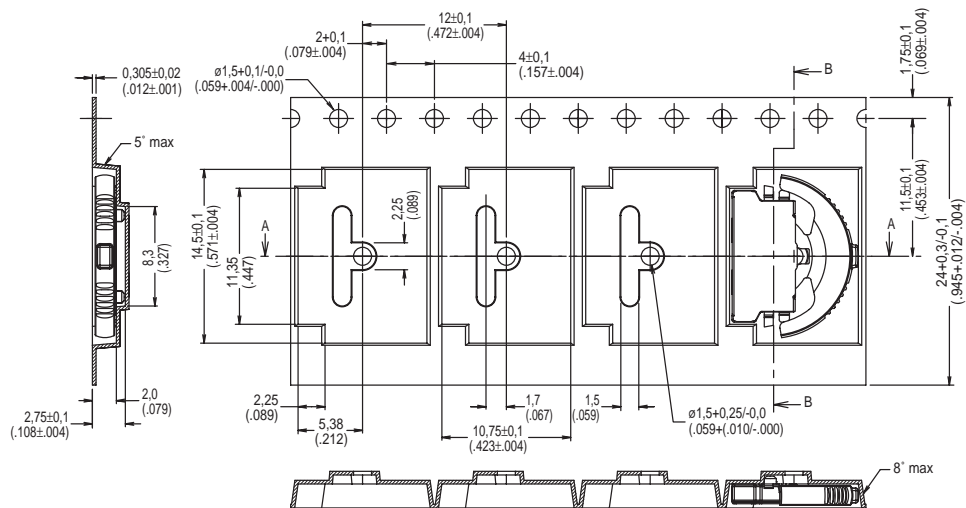
CONTACT MATERIAL ■■■■■■

3 GOLD

TERMINATION ■■■■■■

G GULLWING

## TAPE & REEL



Navigation