



# 10W Wall Mount Adapter - UK



## **Features**

- Fixed Blade AC Input
- Ecodesign/ErP Lot 7 (EU) 2019/1782 Compliance
- CoC Version 5 Tier 2 Compliance
- Limited Power Source
- Class B EMI

## **Applications**

- MPEG Players
- Personal Electronics
- PDAs
- Digital Cameras

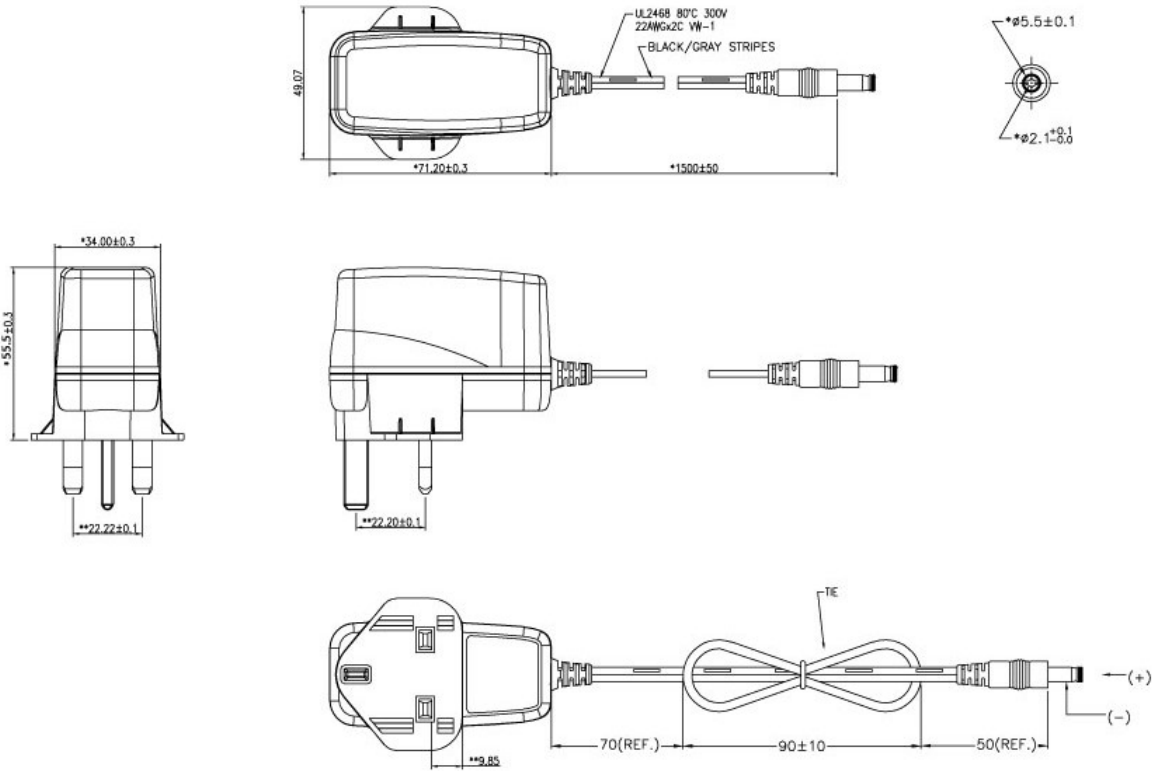


# AA10K Specifications<sup>1</sup>

Model		AA10K-050A-R	AA10K-050A(M)-R	
Output	DC Output Voltage	5.0V		
	Max Current	2.0A		
	Output Power	10.0W		
	Regulation	± 1% Line		
	Ripple & Noise P-P(max) <sup>2</sup>	200mV		
Input	AC Input Voltage Range	90 to 264VAC		
	AC Input Frequency	47 to 63Hz		
	Input Current	0.3A(RMS) max @115VAC/60Hz		
	No Load Power Consumption at 115VAC Input	0.0386W		
	No Load Power Consumption at 230VAC Input	0.059W		
	115VAC Average Efficiency <sup>3</sup>	81.70%		
	230VAC Average Efficiency <sup>3</sup>	81.10%		
	230VAC 10% Load Efficiency <sup>3</sup>	78.5%		
Protection	Leakage Current	20uA max @254VAC/50Hz		
	Over-Voltage	9.0V max		
	Short Circuit	The output can be shorted without damage		
Environmental	Over-Current	2.2A max		
	Operating Temperature	0°C to +40°C		
	Non-Operating Temperature	-20° to +85°C		
Environmental	Operating Humidity	85% Relative Humidity		
	Safety Approvals and EMC	Dielectric Withstand (HI-POT)	Primary to Secondary: 3000VAC for 1min, 10mA	
		Insulation Resistance	Primary to Secondary: 10M ohm for 500VDC	
Standards		IEC 62368-1		
EMI Emissions		EN 55032/CISPR 32 Class B Conducted and Radiated		
Harmonic Current Emissions		IEC 61000-3-2		
Voltage Fluctuations & Flicker		IEC 61000-3-3		
Immunity		EN 55024/CISPR 24, EN 55035/CISPR 35: IEC 61000-4-2 (+/- 8kV air, +/- 4kV contact), IEC 61000-4-3, IEC 61000-4-4, IEC 61000-4-5 (+/- 1kV), IEC 61000-4-6, IEC 61000-4-8, IEC 61000-4-11		
Mechanical	Dimensions (L x W x H)	71.2mm (2.80in) x 49.1mm (1.93in) x 77.9mm (3.07in)		
	Weight	75.5g		
	Cable Length	1500mm		
	DC Cable Type	22 AWG		
	DC Output Connector	2.1mm x 5.5mm x 9.5mm	USB Micro-B	
Notes	<ol style="list-style-type: none"> <li>The specifications defined are at ambient temperature of 25°C, unless otherwise specified.</li> <li>20MHz bandwidth frequency oscilloscope, add a 0.1µF multilayer Cap. and Low ESR Electrolytic Cap. (10µF) at output connector terminals (nominal line voltage, full load).</li> <li>Efficiency is measured after 30 minutes burn-in.</li> </ol>			



# AA10K-050A-R Outline Drawing





# AA10K-050A(M)-R Outline Drawing

