

EV Series

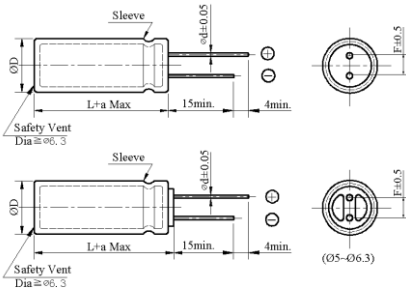
- Low impedance and High ripple current
- Load life 3,000~6,000 hours at 105°C



◆ SPECIFICATIONS

Item	Performance Characteristics																			
Category Temperature Range	-40~+105°C																			
Working Voltage Range	6.3 ~ 35Vdc																			
Capacitance Range	10 ~ 8,200µF																			
Capacitance Tolerance	±20% (at 25°C and 120Hz)																			
Dissipation Factor (tanδ) (at 25°C, 120Hz)	<table border="1"> <tr> <td>Rated Voltage (V)</td> <td>6.3</td> <td>10</td> <td>16</td> <td>25</td> <td>35</td> </tr> <tr> <td>tanδ(Max)</td> <td>0.22</td> <td>0.19</td> <td>0.16</td> <td>0.14</td> <td>0.12</td> </tr> </table>	Rated Voltage (V)	6.3	10	16	25	35	tanδ(Max)	0.22	0.19	0.16	0.14	0.12							
	Rated Voltage (V)	6.3	10	16	25	35														
tanδ(Max)	0.22	0.19	0.16	0.14	0.12															
The above values should be increased by 0.02 for every additional 1000µF																				
Leakage Current	I=0.01CV or 3µA whichever is greater I : Leakage current (µA) C : Rated capacitance (µF) V : Rated voltage (V) Impress the rated voltage for 2 minutes																			
Low Temperature Characteristics Impedance Ratio(MAX)	<table border="1"> <tr> <td>Rated voltage (V)</td> <td>6.3</td> <td>10</td> <td>16</td> <td>25</td> <td>35</td> </tr> <tr> <td>Z(-40°C)/Z(+20°C)</td> <td>8</td> <td>6</td> <td>6</td> <td>5</td> <td>4</td> </tr> </table>	Rated voltage (V)	6.3	10	16	25	35	Z(-40°C)/Z(+20°C)	8	6	6	5	4							
	Rated voltage (V)	6.3	10	16	25	35														
Z(-40°C)/Z(+20°C)	8	6	6	5	4															
(at 120Hz)																				
Endurance	The following specifications shall be satisfied when the capacitors are restored to 25 °C after subjected to DC voltage with the rated ripple current is applied for 3,000~6,000 hours at 105 °C																			
	<table border="1"> <tr> <td>Capacitance change</td> <td>≡ ±25% of the initial value</td> <td>Size</td> <td>Life time (hours)</td> </tr> <tr> <td>Dissipation factor(tanδ)</td> <td>≡ 200% of the specified value</td> <td>≡ 6.3Φ</td> <td>3,000</td> </tr> <tr> <td>Leakage current</td> <td>≡ specified value</td> <td>= 8 Φ</td> <td>4,000</td> </tr> <tr> <td></td> <td></td> <td>= 10Φ</td> <td>5,000</td> </tr> <tr> <td></td> <td></td> <td>≡ 12.5Φ</td> <td>6,000</td> </tr> </table>	Capacitance change	≡ ±25% of the initial value	Size	Life time (hours)	Dissipation factor(tanδ)	≡ 200% of the specified value	≡ 6.3Φ	3,000	Leakage current	≡ specified value	= 8 Φ	4,000			= 10Φ	5,000			≡ 12.5Φ
Capacitance change	≡ ±25% of the initial value	Size	Life time (hours)																	
Dissipation factor(tanδ)	≡ 200% of the specified value	≡ 6.3Φ	3,000																	
Leakage current	≡ specified value	= 8 Φ	4,000																	
		= 10Φ	5,000																	
		≡ 12.5Φ	6,000																	
Shelf Life	The following requirements shall be satisfied when the capacitor are restored to 25°C after exposing them for 1,000 hours at 105°C without voltage applied.																			
	<table border="1"> <tr> <td>Capacitance change</td> <td>≡ ±25% of the initial value</td> </tr> <tr> <td>Dissipation factor(tanδ)</td> <td>≡ 200% of the specified value</td> </tr> <tr> <td>Leakage current</td> <td>≡ 200% of the specified value</td> </tr> </table>	Capacitance change	≡ ±25% of the initial value	Dissipation factor(tanδ)	≡ 200% of the specified value	Leakage current	≡ 200% of the specified value													
Capacitance change	≡ ±25% of the initial value																			
Dissipation factor(tanδ)	≡ 200% of the specified value																			
Leakage current	≡ 200% of the specified value																			
Others	Conforms to JIS-C-5101-4 (1998), characteristic W																			

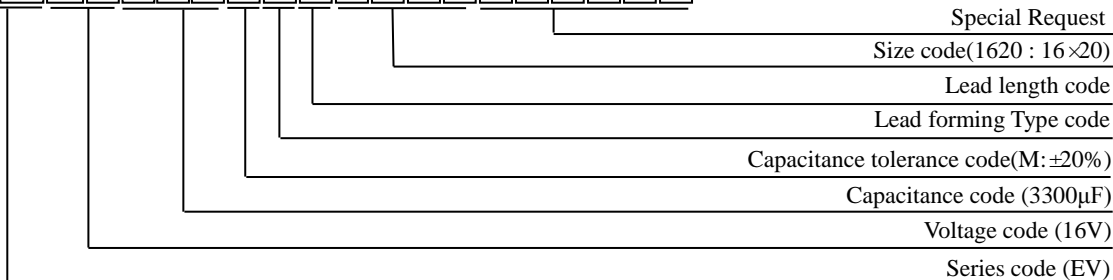
◆ DIMENSIONS (mm)



ΦD	5	6.3	8	10	12.5	16	18
ΦD	ΦD + 0.5 Max						
Φd	0.5	0.5	0.6	0.6	0.6	0.8	0.8
F	2.0	2.5	3.5	5.0	5.0	7.5	7.5
a	L + 1.5 Max				$\leq 35 L + 1.5 \text{Max}$ $\geq 40 L + 2.0 \text{Max}$	L + 1.5 Max	

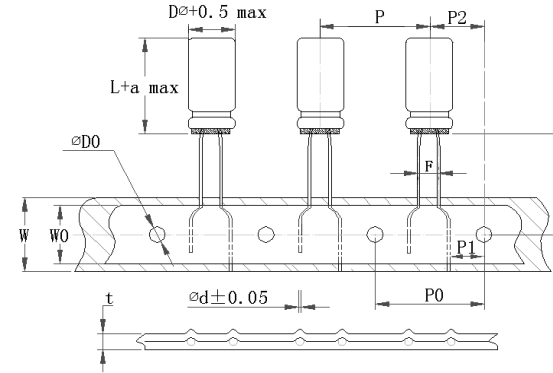
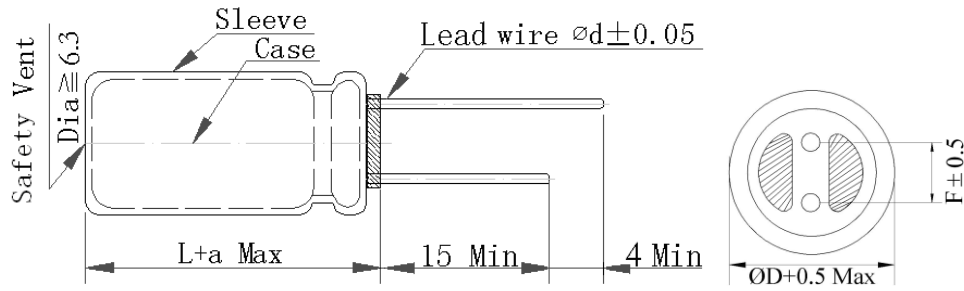
◆ PART NUMBER SYSTEM(Example : 16V 3300µF)

E V I C 3 3 2 M N N 1 6 2 0



Aluminum Electrolytic Capacitor

Customer	Digi-Key	SERIES	EV	NO.:	PUBLISH DATE	2022-03-25
-----------------	-----------------	---------------	-----------	-------------	---------------------	-------------------



Unit (mm):

P=12.7±1.0

H=18.5±0.5

P0=12.7±0.2

P1=3.85±0.5

P2=6.35±1.0

W =18.0±0.5

F=2.5+0.8/-0.2

W0=12.5MIN

ΦD0=4.0±0.2

t=0.7±0.2

Original

FIG-1

No.	CHINSAN Part No.	Customer Part No.	Capacitance (uF)	Tolerance On rated Capacitance (%)	Working Voltage (Vdc)	Surge Voltage (Vdc)	Category Temp Range (°C)	Tanδ @ 25°C (120Hz) (Max)	Leakage Current (uA) (2 min.)	Rated Ripple Current (mA rms) @ 105°C 100kHz	ESR @25°C (mΩ max/ 120Hz)	Impedance @20°C (mΩ max/ 100kHz)	Endurance @ 105°C (Hours)	Dimensions (mm)					Appearance Drawing No
														DΦ	L	a	d	F	
1	EV2A2R2MP20511F5U	/	2.2 μF	±20%	100 V	/	-40~+105	/	/	24	/	3000	5000	5	11	/	/	2.5	FIG-1
2	EV1H4R7MP20511EF4U	/	4.7 μF	±20%	50 V	/	-40~+105	/	/	140	/	1344	4000	5	11	/	/	2.5	FIG-1

※Test leakage current before testing dissipation factor and capacitance during the electric characteristic test.

REMARKS:	APPROVED BY	CHECKED BY	PREPARED BY
Sleeve Color: Brown. Suffix U indicates convex rubber cover. Suffix F4 indicates the life of the capacitor is 4000 hrs. Suffix F5 indicates the life of the capacitor is 5000 hrs.	张洪斌	曾爱娥	梁慧妍

Aluminum Electrolytic Capacitor

Customer	Digi-Key	SERIES	EV	NO.:	PUBLISH DATE	2022-03-25
----------	----------	--------	----	------	--------------	------------

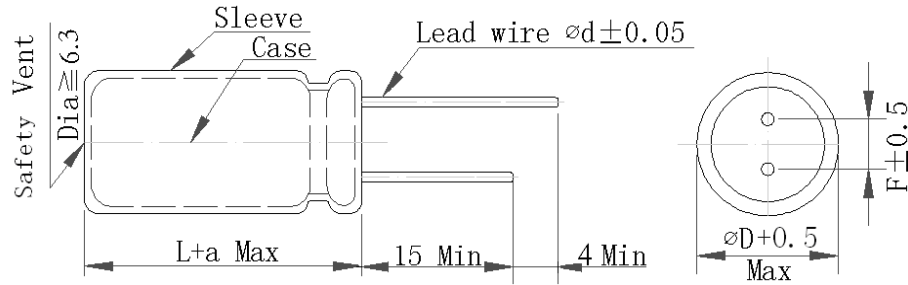


FIG-1

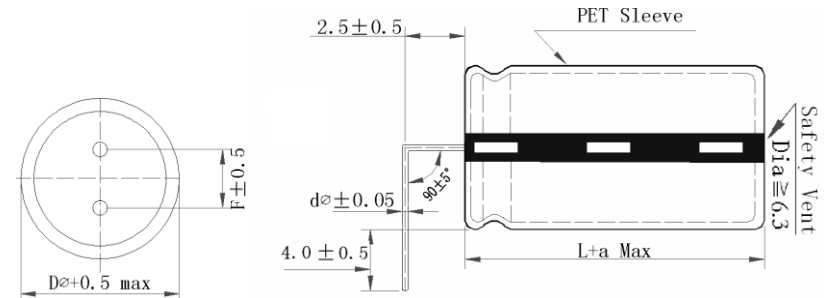


FIG-2

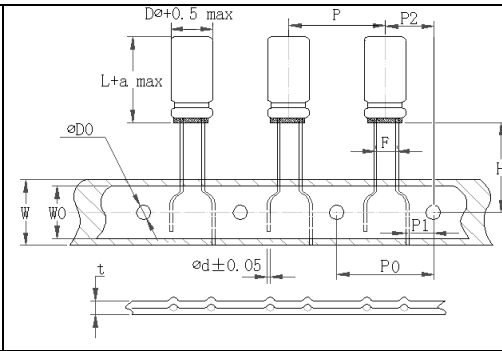
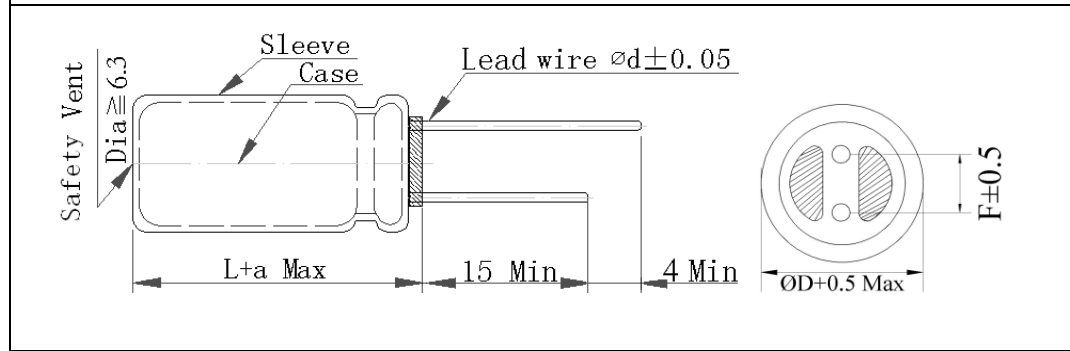
No.	CHINSAN Part No.	Customer Part No.	Capacitance (uF)	Tolerance On rated Capacitance (%)	Working Voltage (Vdc)	Surge Voltage (Vdc)	Category Temp Range (°C)	Tanδ @ 25°C (120Hz) (Max)	Leakage Current (uA) (2 min.)	Rated Ripple Current (mA rms) @ 105°C 100kHz	ESR @25°C (mΩ max/ 120Hz)	Impedance @20°C (mΩ max/ 100kHz)	Endurance @ 105°C (Hours)	Dimensions (mm)					Appearance Drawing No
														DΦ	L	a	d	F	
1	EV1H220MNN0511	/	22 μF	±20%	50 V	/	-40~+105	/	/	180	/	980	3000	5	11	/	/	2	FIG-1
2	EV1V561MSD1025F6	/	560 μF	±20%	35 V	/	-40~+105	/	/	2245	/	31	6000	10	25	/	/	5	FIG-2
3	EV1V472MNN1840F8	/	4700 μF	±20%	35 V	/	-40~+105	/	/	4700	/	14	8000	18	40	/	/	7.5	FIG-1
4	EV1H332MNN18P1F8	/	3300 μF	±20%	50 V	/	-40~+105	/	/	3900	/	25	8000	18	35.5	/	/	7.5	FIG-1

※Test leakage current before testing dissipation factor and capacitance during the electric characteristic test.

REMARKS:	APPROVED BY	CHECKED BY	PREPARED BY
Sleeve Color: Brown. Suffix F6 indicates the life of the capacitor is 6000 hrs. Suffix F8 indicates the life of the capacitor is 8000 hrs.	张洪斌	曾爱娥	梁慧妍

Aluminum Electrolytic Capacitor

Customer	Digi-Key	SERIES	EV	NO.:	PUBLISH DATE	2022-03-25
-----------------	-----------------	---------------	-----------	-------------	---------------------	-------------------



Unit (mm):

P=12.7±1.0	H=18.5±0.5
P0=12.7±0.2	P1=3.85±0.5
P2=6.35±1.0	W =18.0±0.5
F=2.5+0.8 /-0.2	W0=12.5MIN
ΦD0=4.0±0.2	t=0.7±0.2

Original **FIG-1**

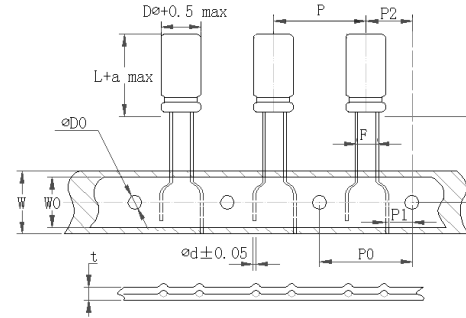
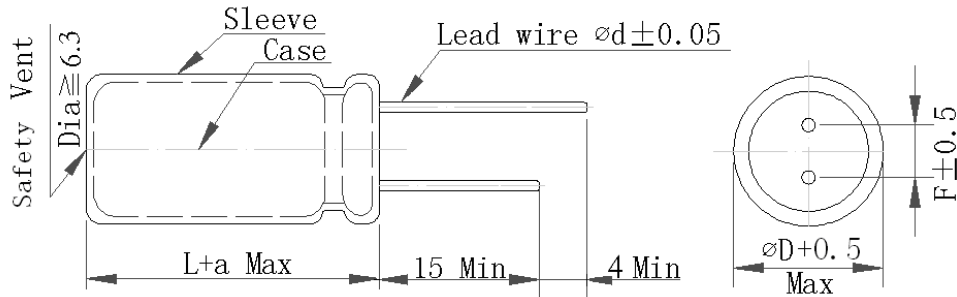
No.	CHINSAN Part No.	Customer Part No.	Capacitance (uF)	Tolerance On rated Capacitance (%)	Working Voltage (Vdc)	Surge Voltage (Vdc)	Category Temp Range (°C)	Tanδ @ 25°C (120Hz) (Max)	Leakage Current (uA) (2 min.)	Rated Ripple Current (mA rms) @ 105°C 100kHz	ESR @25°C (mΩ max/ 120Hz)	Impedance @20°C (mΩ max/ 100kHz)	Endurance @ 105°C (Hours)	Dimensions (mm)					Appearance Drawing No
														DΦ	L	a	d	F	
1	EV1C221MP26311EU	/	220 μF	±20%	16 V	/	-40~+105	/	/	700	/	130	3000	6.3	11	/	/	2.5	FIG-1
2	EV1E151MP26311EF5U	/	150 μF	±20%	25 V	/	-40~+105	/	/	500	/	75	5000	6.3	11	/	/	2.5	FIG-1
3	EV1E101MP26311EU	/	100 μF	±20%	25 V	/	-40~+105	/	/	450	/	220	3000	6.3	11	/	/	2.5	FIG-1
4	EV1V470MP26311U	/	47 μF	±20%	35 V	/	-40~+105	/	/	395	/	390	3000	6.3	11	/	/	2.5	FIG-1
5	EV1V680MP26311SU	/	68 μF	±20%	35 V	/	-40~+105	/	/	450	/	200	3000	6.3	11	/	/	2.5	FIG-1

※Test leakage current before testing dissipation factor and capacitance during the electric characteristic test.

REMARKS:	APPROVED BY	CHECKED BY	PREPARED BY
Sleeve Color: Brown. Suffix U indicates convex rubber cover. Suffix F5 indicates the life of the capacitor is 5000 hrs.	张洪斌	曾爱娥	梁慧妍

Aluminum Electrolytic Capacitor

Customer	Digi-Key	SERIES	EV	NO.:	PUBLISH DATE	2022-03-25
-----------------	-----------------	---------------	-----------	-------------	---------------------	-------------------



Unit (mm):

P=12.7±1.0	H=18.5±0.5
P0=12.7±0.2	P1=3.85±0.5
P2=6.35±1.0	W=18.0±0.5
F=2.5+0.8/-0.2	W0=12.5MIN
ΦD0=4.0±0.2	t=0.7±0.2

Original

FIG-1

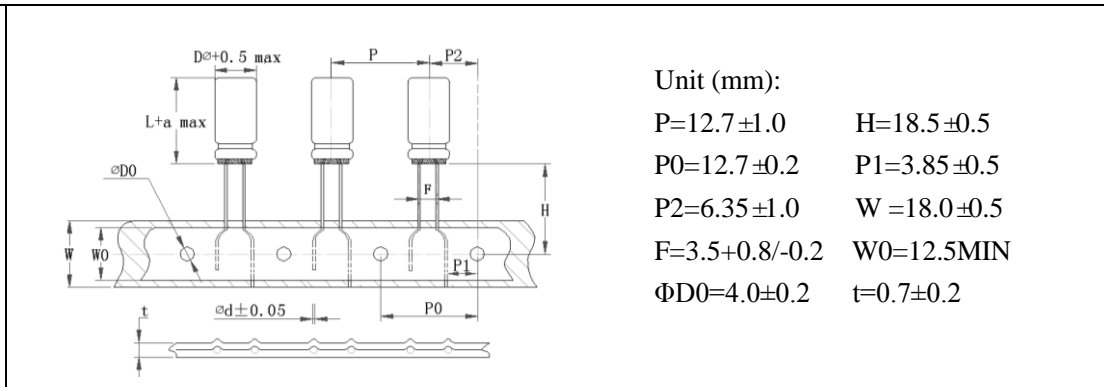
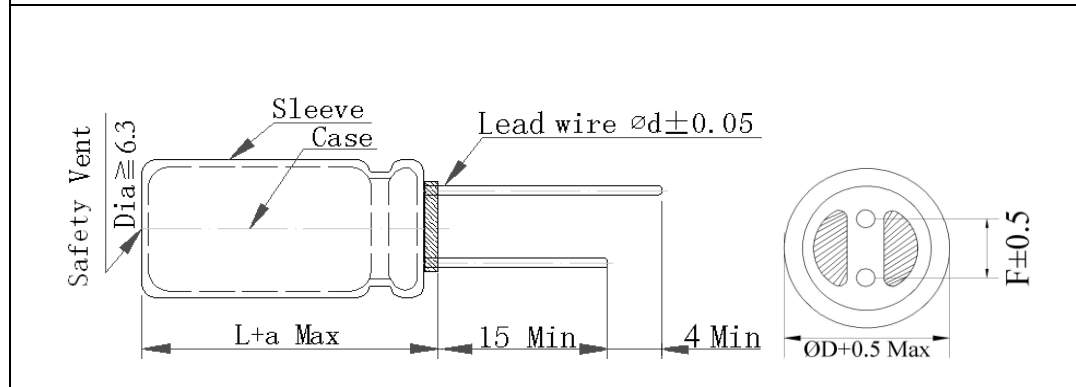
No.	CHINSAN Part No.	Customer Part No.	Capacitance (uF)	Tolerance On rated Capacitance (%)	Working Voltage (Vdc)	Surge Voltage (Vdc)	Category Temp Range (°C)	Tanδ @ 25°C (120Hz) (Max)	Leakage Current (uA) (2 min.)	Rated Ripple Current (mA rms) @ 105°C 100kHz	ESR @25°C (mΩ max/ 120Hz)	Impedance @20°C (mΩ max/ 100kHz)	Endurance @ 105°C (Hours)	Dimensions (mm)					Appearance Drawing No
														D Φ	L	a	d	F	
1	EV1H470MP26311ER	/	47 μF	±20%	50 V	/	-40~+105	/	/	250	/	650	3000	6.3	11	/	/	2.5	FIG-1

※Test leakage current before testing dissipation factor and capacitance during the electric characteristic test.

REMARKS:	APPROVED BY	CHECKED BY	PREPARED BY
Sleeve Color: Brown.	张洪斌	曾爱娥	梁慧妍

Aluminum Electrolytic Capacitor

Customer	Digi-Key	SERIES	EV	NO.:	PUBLISH DATE	2022-03-25
-----------------	-----------------	---------------	-----------	-------------	---------------------	-------------------



Unit (mm):

P=12.7±1.0	H=18.5±0.5
P0=12.7±0.2	P1=3.85±0.5
P2=6.35±1.0	W=18.0±0.5
F=3.5+0.8/-0.2	W0=12.5MIN
$\Phi D0=4.0 \pm 0.2$	t=0.7±0.2

Original **FIG-1**

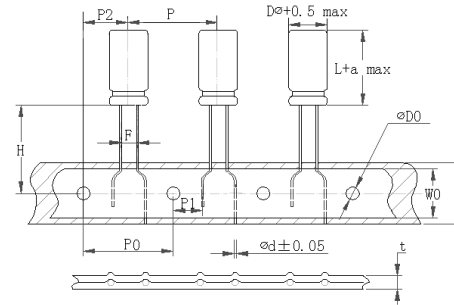
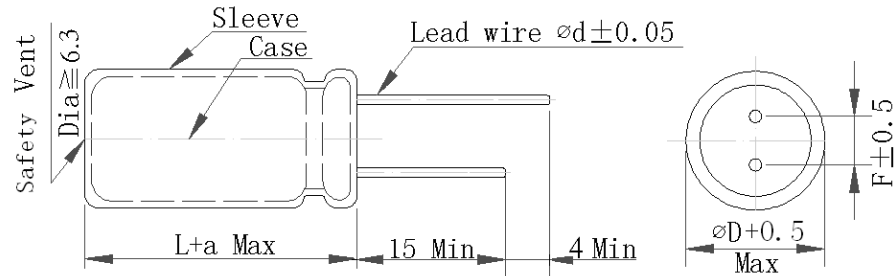
No.	CHINSAN Part No.	Customer Part No.	Capacitance (uF)	Tolerance On rated Capacitance (%)	Working Voltage (Vdc)	Surge Voltage (Vdc)	Category Temp Range (°C)	Tanδ @ 25°C (120Hz) (Max)	Leakage Current (uA) (2 min.)	Rated Ripple Current (mA rms) @ 105°C 100kHz	ESR @25°C (mΩ max/ 120Hz)	Impedance @20°C (mΩ max/ 100kHz)	Endurance @ 105°C (Hours)	Dimensions (mm)					Appearance Drawing No
														D Φ	L	a	d	F	
1	EV1E681MP30818EF5U	/	680 μF	±20%	25 V	/	-40~+105	/	/	2000	/	40	5000	8	18	/	/	3.5	FIG-1

※Test leakage current before testing dissipation factor and capacitance during the electric characteristic test.

REMARKS:	APPROVED BY	CHECKED BY	PREPARED BY
Sleeve Color: Brown. Suffix U indicates convex rubber cover. Suffix F5 indicates the life of the capacitor is 5000 hrs.	张洪斌	曾爱娥	梁慧妍

Aluminum Electrolytic Capacitor

Customer	Digi-Key	SERIES	EV	NO.:	PUBLISH DATE	2022-03-25
-----------------	-----------------	---------------	-----------	-------------	---------------------	-------------------



Unit (mm):

P=12.7±1.0	H=18.5±0.5
P0=12.7±0.2	P1=3.85±0.5
P2=6.35±1.0	W=18.0±0.5
F=3.5+0.8/-0.2	W0=12.5MIN
ΦD0=4.0±0.2	t=0.7±0.2

Original

FIG-1

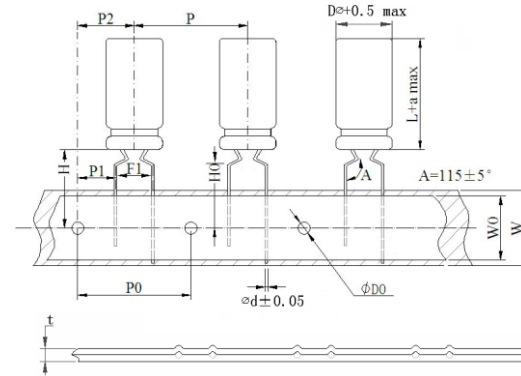
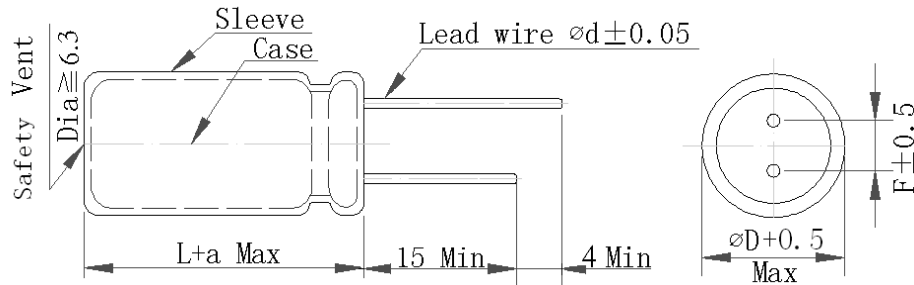
No.	CHINSAN Part No.	Customer Part No.	Capacitance (uF)	Tolerance On rated Capacitance (%)	Working Voltage (Vdc)	Surge Voltage (Vdc)	Category Temp Range (°C)	Tanδ @ 25°C (120Hz) (Max)	Leakage Current (uA) (2 min.)	Rated Ripple Current (mA rms) @ 105°C 100kHz	ESR @25°C (mΩ max/ 120Hz)	Impedance @20°C (mΩ max/ 100kHz)	Endurance @ 105°C (Hours)	Dimensions (mm)					Appearance Drawing No
														D Φ	L	a	d	F	
1	EV1E221MNN0812EF3	/	220 μF	±20%	25 V	/	-40~+105	/	/	810	/	117	3000	8	12	/	/	3.5	Original
2	EV1V221MNN0820	/	220 μF	±20%	35 V	/	-40~+105	/	/	1250	/	/	4000	8	20	/	/	3.5	Original
3	EV1E331MP30812EF6	/	330 μF	±20%	25 V	/	-40~+105	/	/	1200	/	62	6000	8	12	/	/	3.5	FIG-1

※Test leakage current before testing dissipation factor and capacitance during the electric characteristic test.

REMARKS:	APPROVED BY	CHECKED BY	PREPARED BY
Sleeve Color: Brown. Suffix F3 indicates the life of the capacitor is 3000 hrs. Suffix F6 indicates the life of the capacitor is 6000 hrs.	张洪斌	曾爱娥	梁慧妍

Aluminum Electrolytic Capacitor

Customer	Digi-Key	SERIES	EV	NO.:	PUBLISH DATE	2022-03-25
-----------------	-----------------	---------------	-----------	-------------	---------------------	-------------------



Unit(mm):

P=12.7±1.0	H0=16.0±0.5
P0=12.7±0.2	W =18.0±0.5
P1=3.85±0.5	W0=12.5MIN
P2=6.35±1.0	ΦD0=4.0±0.2
F1=5.0+0.8/-0.2	H=18.5±0.5
t=0.7±0.2	

Original

FIG-1

No.	CHINSAN Part No.	Customer Part No.	Capacitance (uF)	Tolerance On rated Capacitance (%)	Working Voltage (Vdc)	Surge Voltage (Vdc)	Category Temp Range (°C)	Tanδ @ 25°C (120Hz) (Max)	Leakage Current (uA) (2 min.)	Rated Ripple Current (mA rms) @ 105°C 100kHz	ESR @25°C (mΩ max/ 120Hz)	Impedance @20°C (mΩ max/ 100kHz)	Endurance @ 105°C (Hours)	Dimensions (mm)					Appearance Drawing No
														DΦ	L	a	d	F1	
1	EV1C102MP50820EF6	/	1000 μF	±20%	16 V	/	-40~+105	/	/	1500	/	29	6000	8	20	/	/	5	FIG-1
2	EV1E471MP50815EF6	/	470 μF	±20%	25 V	/	-40~+105	/	/	1000	/	45	6000	8	15	/	/	5	FIG-1

*Test leakage current before testing dissipation factor and capacitance during the electric characteristic test.

REMARKS:

Sleeve Color: Brown.
Suffix F6 indicates the life of the capacitor is 6000 hrs.

APPROVED BY

张洪斌

CHECKED BY

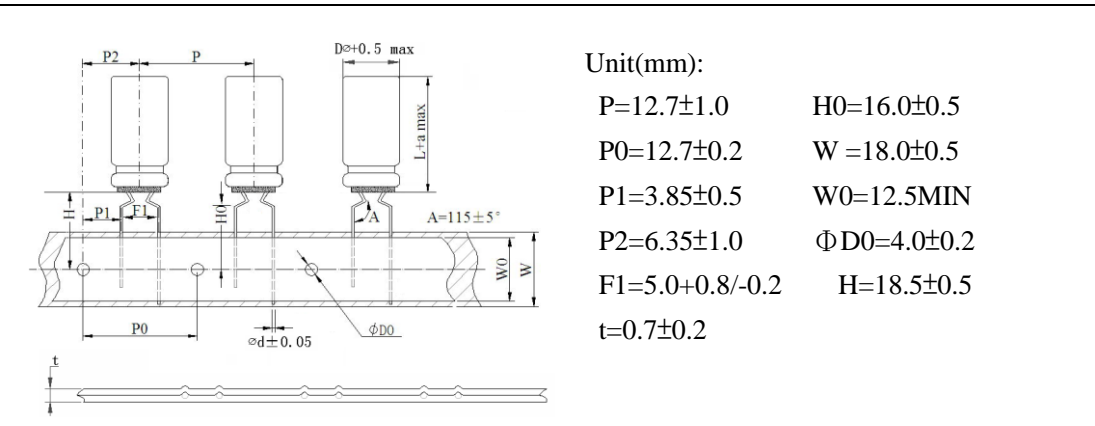
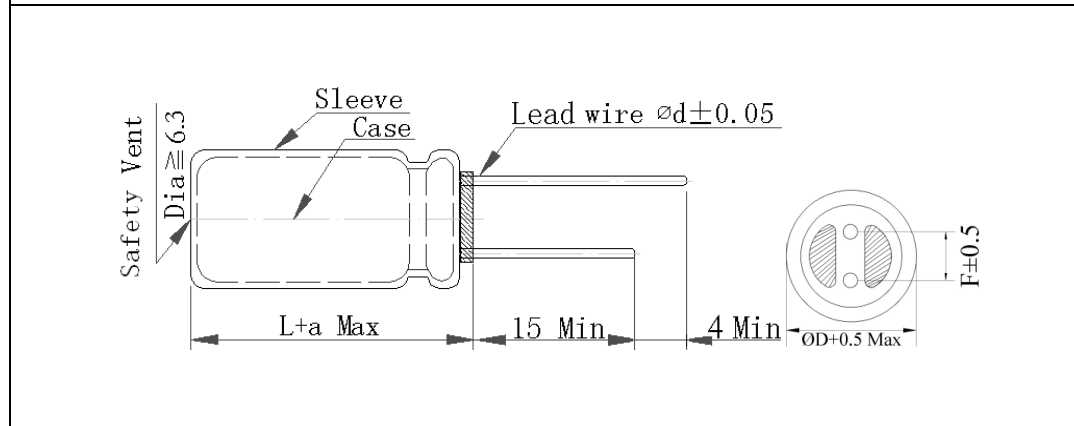
曾爱娥

PREPARED BY

梁慧妍

Aluminum Electrolytic Capacitor

Customer	Digi-Key	SERIES	EV	NO.:	PUBLISH DATE	2022-03-25
-----------------	-----------------	---------------	-----------	-------------	---------------------	-------------------



Original **FIG-1**

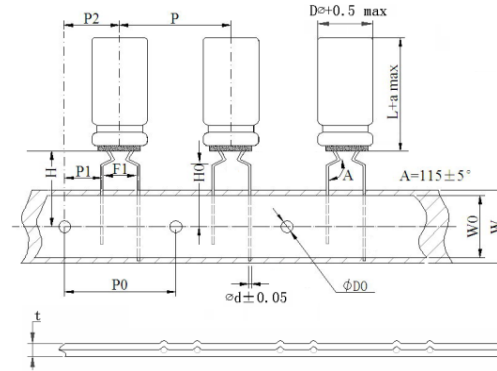
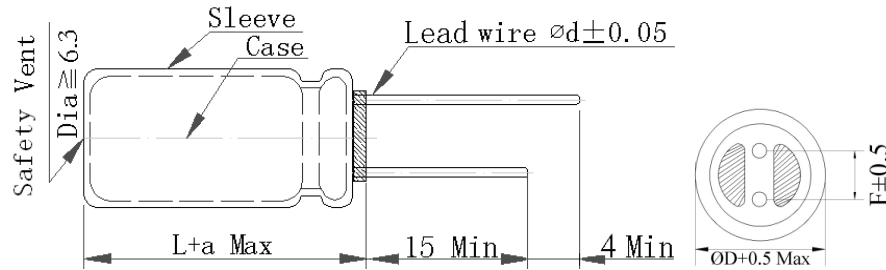
No.	CHINSAN Part No.	Customer Part No.	Capacitance (uF)	Tolerance On rated Capacitance (%)	Working Voltage (Vdc)	Surge Voltage (Vdc)	Category Temp Range (°C)	Tanδ @ 25°C (120Hz) (Max)	Leakage Current (uA) (2 min.)	Rated Ripple Current (mA rms) @ 105°C 100kHz	ESR @25°C (mΩ max/ 120Hz)	Impedance @20°C (mΩ max/ 100kHz)	Endurance @ 105°C (Hours)	Dimensions (mm)					Appearance Drawing No
														D Φ	L	a	d	F1	
1	EV1V221MP50816EU	/	220 μF	±20%	35 V	/	-40~+105	/	/	1200	/	55	4000	8	16	/	/	5	FIG-1

※Test leakage current before testing dissipation factor and capacitance during the electric characteristic test.

REMARKS:	APPROVED BY	CHECKED BY	PREPARED BY
Sleeve Color: Brown. Suffix U indicates convex rubber cover.	张洪斌	曾爱娥	梁慧妍

Aluminum Electrolytic Capacitor

Customer	Digi-Key	SERIES	EV	NO.:	PUBLISH DATE	2022-03-25
----------	----------	--------	----	------	--------------	------------



Unit(mm):

P=12.7±1.0	H0=16.0±0.5
P0=12.7±0.2	W =18.0±0.5
P1=3.85±0.5	W0=12.5MIN
P2=6.35±1.0	ΦD0=4.0±0.2
F1=5.0+0.8/-0.2	H=18.5±0.5
t=0.7±0.2	

Original

FIG-1

No.	CHINSAN Part No.	Customer Part No.	Capacitance (uF)	Tolerance On rated Capacitance (%)	Working Voltage (Vdc)	Surge Voltage (Vdc)	Category Temp Range (°C)	Tanδ @ 25°C (120Hz) (Max)	Leakage Current (uA) (2 min.)	Rated Ripple Current (mA rms) @ 105°C 100kHz	ESR @25°C (mΩ max/ 120Hz)	Impedance @20°C (mΩ max/ 100kHz)	Endurance @ 105°C (Hours)	Dimensions (mm)					Appearance Drawing No
														DΦ	L	a	d	F1	
1	EV2A100MPN0812F6U	/	10 μF	±20%	100 V	/	-40~+105	/	/	360	/	60	6000	8	12	/	/	5	FIG-1

※Test leakage current before testing dissipation factor and capacitance during the electric characteristic test.

REMARKS:

Sleeve Color: Brown.
Suffix U indicates convex rubber cover.
Suffix F6 indicates the life of the capacitor is 6000 hrs.

APPROVED BY

张洪斌

CHECKED BY

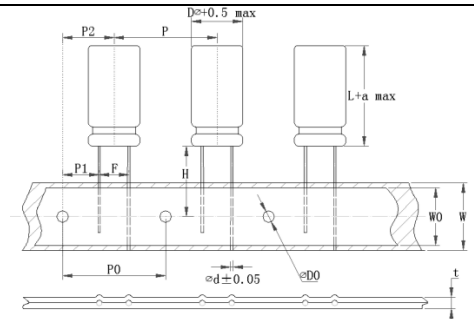
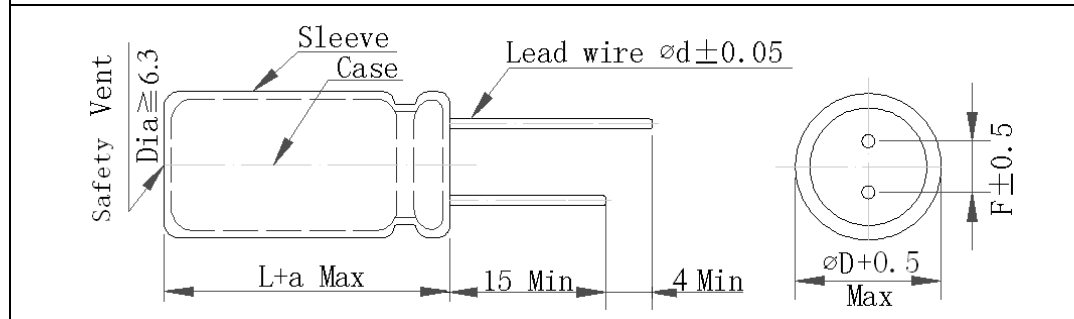
曾爱娥

PREPARED BY

梁慧妍

Aluminum Electrolytic Capacitor

Customer	Digi-Key	SERIES	EV	NO.:	PUBLISH DATE	2022-03-25
----------	----------	--------	----	------	--------------	------------



Unit(mm):
P=12.7±1.0 H=18.5±0.5
P0=12.7±0.2 W=18.0±0.5
P1=3.85±0.5 W0=12.5MIN
P2=6.35±1.0 ΦD0=4.0±0.2
F=5.0+0.8/-0.2 t=0.7±0.2

Original

FIG-1

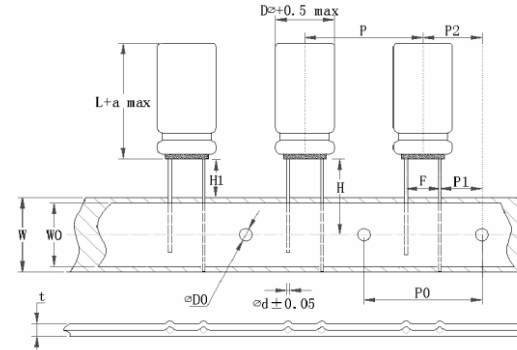
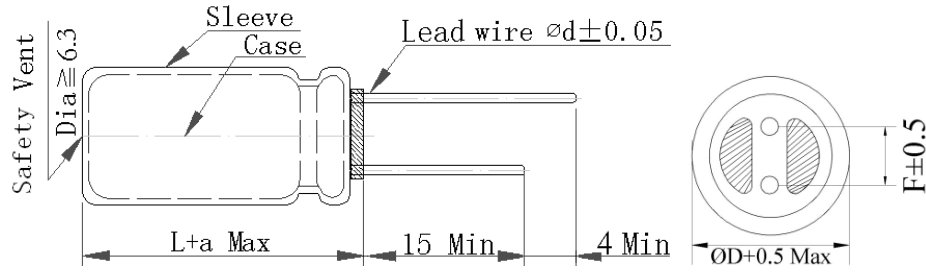
No.	CHINSAN Part No.	Customer Part No.	Capacitance (uF)	Tolerance On rated Capacitance (%)	Working Voltage (Vdc)	Surge Voltage (Vdc)	Category Temp Range (°C)	Tanδ @ 25°C (120Hz) (Max)	Leakage Current (uA) (2 min.)	Rated Ripple Current (mA rms) @ 105°C 100kHz	ESR @25°C (mΩ max/ 120Hz)	Impedance @20°C (mΩ max/ 100kHz)	Endurance @ 105°C (Hours)	Dimensions (mm)					Appearance Drawing No
														D Φ	L	a	d	F	
1	EV2A101MNN1025	/	100 μF	±20%	100 V	/	-40~+105	/	/	760	/	300	5000	10	25	/	/	5	Original
2	EV1E471MNN1012	/	470 μF	±20%	25 V	/	-40~+105	/	/	1500	/	39	5000	10	12	/	/	5	Original
3	EV1C471MP510C5E	/	470 μF	±20%	16 V	/	-40~+105	/	/	1120	500	100	5000	10	12.5	/	/	5	FIG-1
4	EV1C102MP51016	/	1000 μF	±20%	16 V	/	-40~+105	/	/	1620	/	60	5000	10	16	/	/	5	FIG-1
5	EV1C102MP51020	/	1000 μF	±20%	16 V	/	-40~+105	/	/	2500	/	33	5000	10	20	/	/	5	FIG-1
6	EV1V221MP51012ER	/	220 μF	±20%	35 V	/	-40~+105	/	/	1000	/	80	1000	10	12	/	/	5	FIG-1
7	EV1V471MP51016ER	/	470 μF	±20%	35 V	/	-40~+105	/	/	1820	/	30	5000	10	16	/	/	5	FIG-1
8	EV1J221MP51020E	/	220 μF	±20%	63 V	/	-40~+105	/	/	1680	540	90	5000	10	20	/	/	5	FIG-1

※Test leakage current before testing dissipation factor and capacitance during the electric characteristic test.

REMARKS:	APPROVED BY	CHECKED BY	PREPARED BY
Sleeve Color: Brown.	张洪斌	曾爱娥	梁慧妍

Aluminum Electrolytic Capacitor

Customer	Digi-Key	SERIES	EV	NO.:	PUBLISH DATE	2022-03-25
-----------------	-----------------	---------------	-----------	-------------	---------------------	-------------------



Unit (mm):

P=12.7±1.0	H=18.5±0.5
P0=12.7±0.2	W=18.0±0.5
P1=3.85±0.5	W0=12.5MIN
P2=6.35±1.0	ΦD0=4.0+0.2
F=5.0+0.8/-0.2	t=0.7±0.2
H1=9.5±1.0	

Original

FIG-1

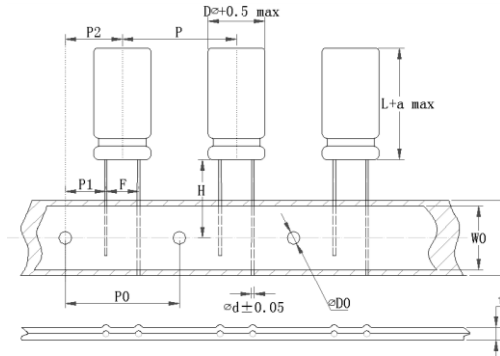
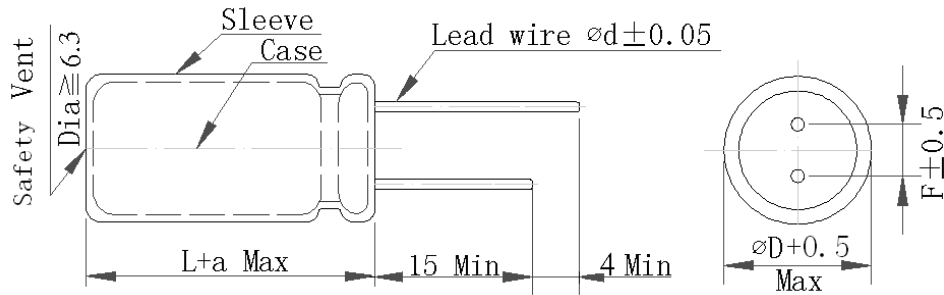
No.	CHINSAN Part No.	Customer Part No.	Capacitance (uF)	Tolerance On rated Capacitance (%)	Working Voltage (Vdc)	Surge Voltage (Vdc)	Category Temp Range (°C)	Tanδ @ 25°C (120Hz) (Max)	Leakage Current (uA) (2 min.)	Rated Ripple Current (mA rms) @ 105°C 100kHz	ESR @25°C (mΩ max/ 120Hz)	Impedance @20°C (mΩ max/ 100kHz)	Endurance @ 105°C (Hours)	Dimensions (mm)					Appearance Drawing No
														DΦ	L	a	d	F	
1	EV1E681MP51016EF6RU	/	680 μF	±20%	25 V	/	-40~+105	/	/	2300	/	25	6000	10	16	/	/	5	FIG-1
2	EV1E471MP51012U	/	470 μF	±20%	25 V	/	-40~+105	/	/	1500	/	39	5000	10	12	/	/	5	FIG-1
3	EV1E102MP51020RU	/	1000 μF	±20%	25 V	/	-40~+105	/	/	2000	/	30	5000	10	20	/	/	5	FIG-1
4	EV1V331MP51012EU	/	330 μF	±20%	35 V	/	-40~+105	/	/	1360	/	53	5000	10	12	/	/	5	FIG-1
5	EV1V681MP51017ERU	/	680 μF	±20%	35 V	/	-40~+105	/	/	2000	/	40	5000	10	17	/	/	5	FIG-1

※Test leakage current before testing dissipation factor and capacitance during the electric characteristic test.

REMARKS:	APPROVED BY	CHECKED BY	PREPARED BY
Sleeve Color: Brown. Suffix U indicates convex rubber cover. Suffix F6 indicates the life of the capacitor is 6000 hrs.	张洪斌	曾爱娥	梁慧妍

Aluminum Electrolytic Capacitor

Customer	Digi-Key	SERIES	EV	NO.:	PUBLISH DATE	2022-03-25
-----------------	-----------------	---------------	-----------	-------------	---------------------	-------------------



Unit(mm):

P=12.7±1.0

H=18.5±0.5

P0=12.7±0.2

W =18.0±0.5

P1=3.85±0.5

W0=12.5MIN

P2=6.35±1.0

ΦD0=4.0±0.2

F=5.0+0.8/-0.2

t=0.7±0.2

Original

FIG-1

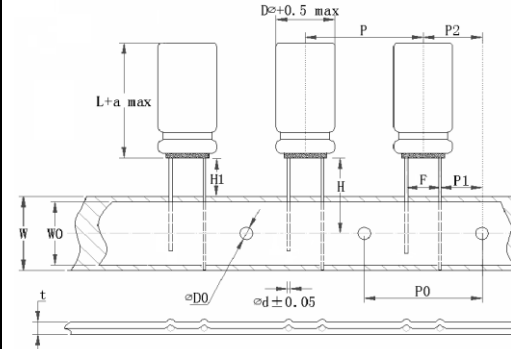
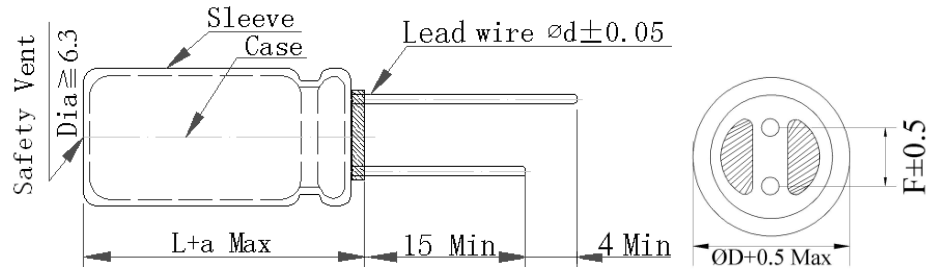
No.	CHINSAN Part No.	Customer Part No.	Capacitance (uF)	Tolerance On rated Capacitance (%)	Working Voltage (Vdc)	Surge Voltage (Vdc)	Category Temp Range (°C)	Tanδ @ 25°C (120Hz) (Max)	Leakage Current (uA) (2 min.)	Rated Ripple Current (mA rms) @ 105°C 100kHz	ESR @25°C (mΩ max/ 120Hz)	Impedance @20°C (mΩ max/ 100kHz)	Endurance @ 105°C (Hours)	Dimensions (mm)					Appearance Drawing No
														DΦ	L	a	d	F	
1	EV1C821MPN1016ER	/	820 μF	±20%	16 V	/	-40~+105	/	/	2550	/	38	5000	10	16	/	/	5	FIG-1
2	EV1E821MPN1020	/	820 μF	±20%	25 V	/	-40~+105	/	/	2160	/	48	5000	10	20	/	/	5	FIG-1

※Test leakage current before testing dissipation factor and capacitance during the electric characteristic test.

REMARKS:	APPROVED BY	CHECKED BY	PREPARED BY
Sleeve Color: Brown.	张洪斌	曾爱娥	梁慧妍

Aluminum Electrolytic Capacitor

Customer	Digi-Key	SERIES	EV	NO.:	PUBLISH DATE	2022-03-25
-----------------	-----------------	---------------	-----------	-------------	---------------------	-------------------



Unit (mm):

P=12.7±1.0	H=18.5±0.5
P0=12.7±0.2	W =18.0±0.5
P1=3.85±0.5	W0=12.5MIN
P2=6.35±1.0	ΦD0=4.0+0.2
F=5.0+0.8/-0.2	t=0.7±0.2
H1=9.5±1.0	

Original

FIG-1

No.	CHINSAN Part No.	Customer Part No.	Capacitance (uF)	Tolerance On rated Capacitance (%)	Working Voltage (Vdc)	Surge Voltage (Vdc)	Category Temp Range (°C)	Tanδ @ 25°C (120Hz) (Max)	Leakage Current (uA) (2 min.)	Rated Ripple Current (mA rms) @ 105°C 100kHz	ESR @25°C (mΩ max/ 120Hz)	Impedance @20°C (mΩ max/ 100kHz)	Endurance @ 105°C (Hours)	Dimensions (mm)					Appearance Drawing No
														DΦ	L	a	d	F	
1	EV1J101MPN1012RSU	/	100 μF	±20%	63 V	/	-40~+105	/	/	1100	/	400	5000	10	12	/	/	5	FIG-1
2	EV2A470MPN1012RU	/	47 μF	±20%	100 V	/	-40~+105	/	/	500	/	430	5000	10	12	/	/	5	FIG-1

※Test leakage current before testing dissipation factor and capacitance during the electric characteristic test.

REMARKS:

Sleeve Color: Brown.
Suffix U indicates convex rubber cover.

APPROVED BY

张洪斌

CHECKED BY

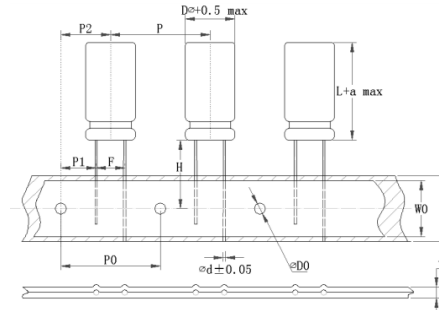
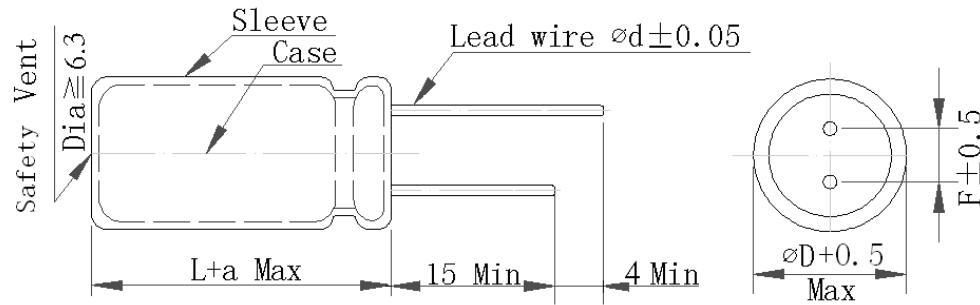
曾爱娥

PREPARED BY

梁慧妍

Aluminum Electrolytic Capacitor

Customer	Digi-Key	SERIES	EV	NO.:	PUBLISH DATE	2022-03-25
----------	----------	--------	----	------	--------------	------------



Unit(mm):

P=15.0±1.0	H=18.5±0.5
P0=15.0±0.2	W =18.0±0.5
P1=5.0±0.5	W0=12.5MIN
P2=7.5±1.0	ΦD0=4.0±0.2
F=5.0+0.8/-0.2	t=0.7±0.2

Original

FIG-1

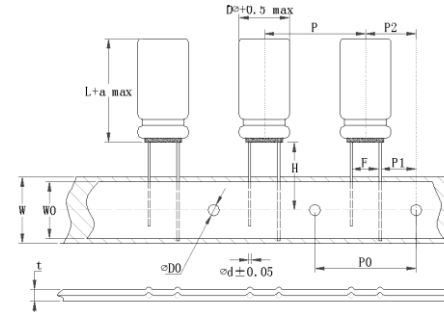
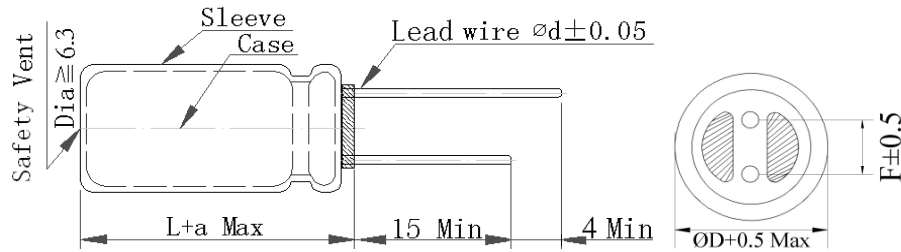
No.	CHINSAN Part No.	Customer Part No.	Capacitance (uF)	Tolerance On rated Capacitance (%)	Working Voltage (Vdc)	Surge Voltage (Vdc)	Category Temp Range (°C)	Tanδ @ 25°C (120Hz) (Max)	Leakage Current (uA) (2 min.)	Rated Ripple Current (mA rms) @ 105°C 100kHz	ESR @25°C (mΩ max/ 120Hz)	Impedance @20°C (mΩ max/ 100kHz)	Endurance @ 105°C (Hours)	Dimensions (mm)					Appearance Drawing No
														DΦ	L	a	d	F	
1	EV1C222MP51220E	/	2200 μF	±20%	16 V	/	-40~+105	/	/	2725	/	25	6000	12.5	20	/	/	5	FIG-1
2	EV1V681MP51220	/	680 μF	±20%	35 V	/	-40~+105	/	/	1900	/	17	6000	12.5	20	/	/	5	FIG-1
3	EV1V102MP51220E	/	1000 μF	±20%	35 V	/	-40~+105	/	/	2920	/	25	6000	12.5	20	/	/	5	FIG-1

※Test leakage current before testing dissipation factor and capacitance during the electric characteristic test.

REMARKS:	APPROVED BY	CHECKED BY	PREPARED BY
Sleeve Color: Brown.	张洪斌	曾爱娥	梁慧妍

Aluminum Electrolytic Capacitor

Customer	Digi-Key	SERIES	EV	NO.:	PUBLISH DATE	2022-03-25
-----------------	-----------------	---------------	-----------	-------------	---------------------	-------------------



Unit (mm):

P=15.0±1.0 H=18.5±0.5
P0=15.0±0.2 W=18.0±0.5
P1=5.0±0.5 W0=12.5MIN
P2=7.5±1.0 ΦD0=4.0±0.2
F=5.0+0.8/-0.2 t=0.7±0.2

Original

FIG-1

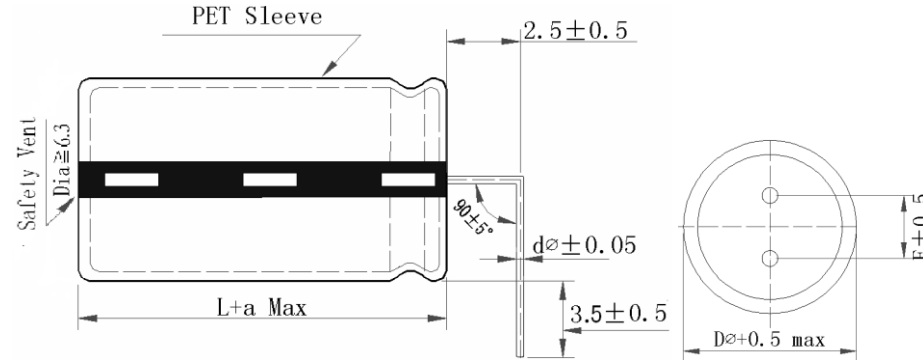
No.	CHINSAN Part No.	Customer Part No.	Capacitance (uF)	Tolerance On rated Capacitance (%)	Working Voltage (Vdc)	Surge Voltage (Vdc)	Category Temp Range (°C)	Tanδ @ 25°C (120Hz) (Max)	Leakage Current (uA) (2 min.)	Rated Ripple Current (mA rms) @ 105°C 100kHz	ESR @25°C (mΩ max/ 120Hz)	Impedance @20°C (mΩ max/ 100kHz)	Endurance @ 105°C (Hours)	Dimensions (mm)					Appearance Drawing No
														DΦ	L	a	d	F	
1	EV1V821MP51216EU	/	820 μF	±20%	35 V	/	-40~+105	/	/	2300	/	48	6000	12.5	16	/	/	5	FIG-1

※Test leakage current before testing dissipation factor and capacitance during the electric characteristic test.

REMARKS:	APPROVED BY	CHECKED BY	PREPARED BY
Sleeve Color: Brown. Suffix U indicates convex rubber cover.	张洪斌	曾爱娥	梁慧妍

Aluminum Electrolytic Capacitor

Customer	Digi-Key	SERIES	EV	NO.:	PUBLISH DATE	2022-03-25
-----------------	-----------------	---------------	-----------	-------------	---------------------	-------------------



No.	CHINSAN Part No.	Customer Part No.	Capacitance (uF)	Tolerance On rated Capacitance (%)	Working Voltage (Vdc)	Surge Voltage (Vdc)	Category Temp Range (°C)	Tanδ @ 25°C (120Hz) (Max)	Leakage Current (uA) (2 min.)	Rated Ripple Current (mA rms) @ 105°C 100kHz	ESR @25°C (mΩ max/ 120Hz)	Impedance @20°C (mΩ max/ 100kHz)	Endurance @ 105°C (Hours)	Dimensions (mm)					Appearance Drawing No
														DΦ	L	a	d	F	
1	EV1E332ML31625EF7	/	3300 μF	±20%	25 V	/	-40~+105	/	/	3150	/	17	7000	16	25	/	/	7.5	---

※Test leakage current before testing dissipation factor and capacitance during the electric characteristic test.

REMARKS:	APPROVED BY	CHECKED BY	PREPARED BY
Sleeve Color: Brown. Suffix F7 indicates the life of the capacitor is 7000 hrs.	张洪斌	曾爱娥	梁慧妍