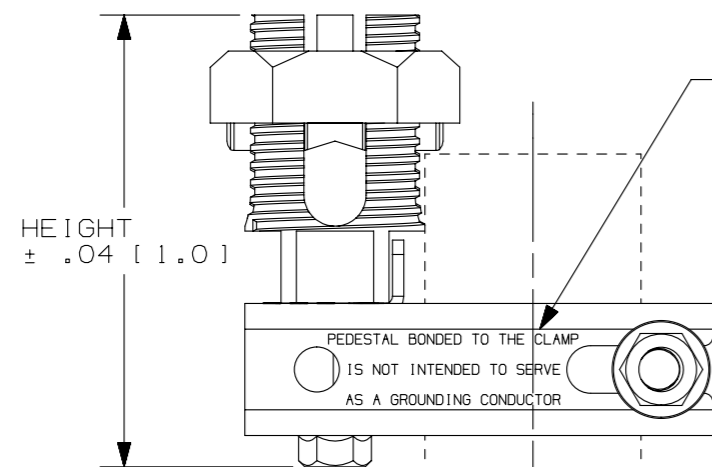
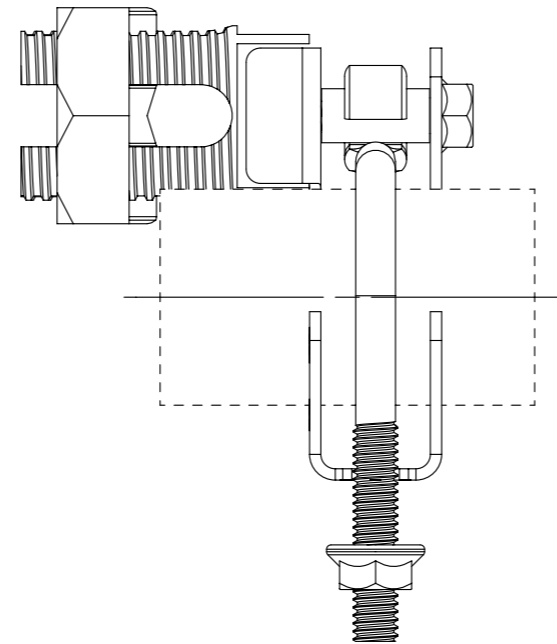
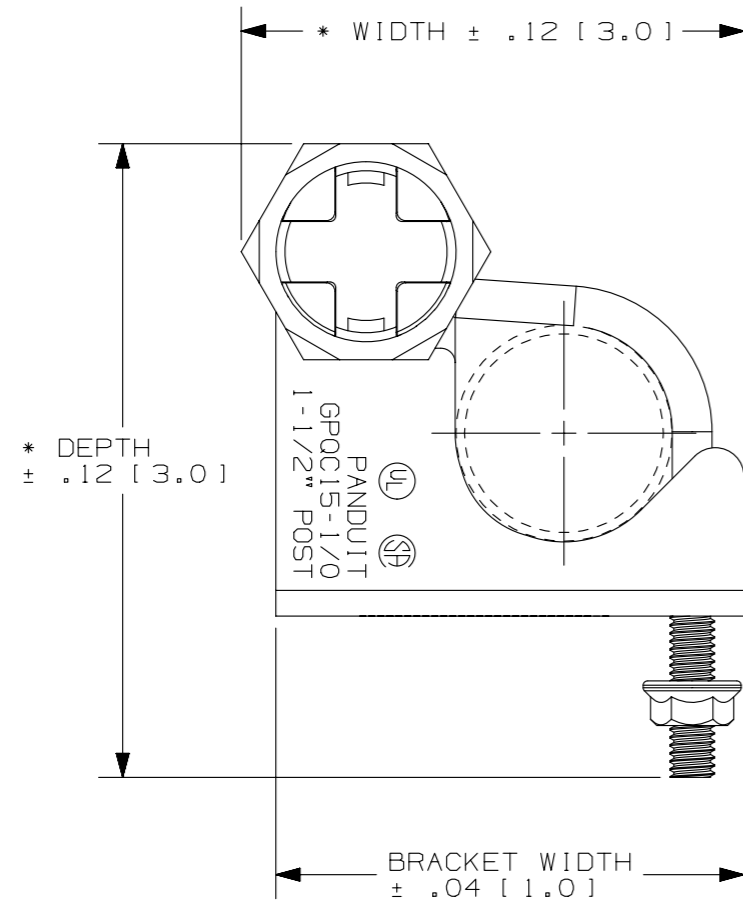


THIS COPY IS PROVIDED ON A RESTRICTED BASIS AND IS NOT TO BE USED IN ANY WAY DETRIMENTAL TO THE INTERESTS OF PANDUIT CORP.

NOTES:

1. PACKAGING: 1 KIT PER BAG  
10 BAGS PER CARTON
2. DIMENSIONS IN PARENTHESIS ARE MILLIMETERS.
3. FOR USE WITH COPPER WIRE RANGE #6 AWG SOLID TO 1/0 STRANDED [ 16 TO 50mm<sup>2</sup> ]
4. SEE TABLE FOR PEDESTAL TYPE AND SIZES
5. INSTALLATION TORQUE OF 32 LB-FT [ 43.5 N.m ] ON WIRES AND 12.5 LB-FT [ 17 N.m ] ON POST.
6. WIRE CLAMP MADE OF HIGH CONDUCTIVITY BRONZE ALLOY.
7. \*) DIMENSIONS ARE APPROXIMATE DUE TO MOVABLE COMPONENTS.
8. PRODUCTS ARE UL LISTED AND CSA CERTIFIED.



- NOTE:
1. THE CLAMP CREATES A UL LISTED BOND TO THE ACCESS FLOOR.
  2. SOME ACCESS FLOORS ARE NOT RATED AS GROUNDING ELECTRODE CONDUCTORS (GEC).
  3. USING THIS CLAMP TO BOND THE FLOOR TO A GRID OF CONDUCTORS RESULTS IN A GROUNDED FLOOR.

PANDUIT PART NUMBER	DIMENSIONS - IN [ mm ]				PEDESTAL SIZE & TYPE
	WIDTH	BRACKET WIDTH	DEPTH	HEIGHT	
GPQC07-1/0	3.38 [ 85.9 ]	3.25 [ 82.6 ]	4.25 [ 108.0 ]	3.19 [ 81.0 ]	3/4" ROUND 7/8" ROUND
GPQC10-1/0	3.38 [ 85.9 ]	3.25 [ 82.6 ]	4.19 [ 106.4 ]	3.19 [ 81.0 ]	7/8" SQUARE 1" ROUND 1-1/8" ROUND
GPQC12-1/0	3.44 [ 87.4 ]	3.25 [ 82.6 ]	4.53 [ 115.1 ]	3.19 [ 81.0 ]	1-1/4" ROUND
GPQC15-1/0	3.44 [ 87.4 ]	3.25 [ 82.6 ]	4.47 [ 113.5 ]	3.19 [ 81.0 ]	1-1/2" ROUND
GPQC17-1/0	N/A	4.00 [ 101.6 ]	5.19 [ 131.8 ]	3.19 [ 81.0 ]	1-3/4" ROUND
GPQC20-1/0	N/A	4.00 [ 101.6 ]	5.06 [ 128.5 ]	3.19 [ 81.0 ]	2" ROUND

TITLE GROUNDING PEDESTAL QUAD CLAMPS CUSTOMER DRAWING		<b>PANDUIT</b>
ITEM REVISION NAME N10943AB/07	DATASET FILE NAME N10943AB_DC_06B	
UNLESS OTHERWISE SPECIFIED, DIMENSIONAL TOLERANCES ARE: IN [ mm ] .x ± .1 [ 2.54 ]    .xxx ± .005 [ .127 ] .xx ± .01 [ .25 ]    ANGLES ± 5 °		MATERIAL: SEE NOTES
DRAWING NUMBER: C41746_06		THIRD ANGLE PROJECTION
DRAWN BY JHNU	DATE 2/08	CHK RWK
SCALE NONE		SIZE B

REV	DATE	BY	CHK	APR	DESCRIPTION	ECN
06	3/13	JHNU	JHNU	RGB	REVISED TITLE BLOCK	N10943AB-C41746

D101000B/13