

L6R06H Series

6W Wall Mount Power Supply

- DOE Level VI Efficiency Rating
- Universal Input: 90 ~ 264Vac, 47/63 Hz
- UL/cUL 62368-1 Safety Approved
- Corded Output Connection
- 5Vdc USB Connection Available
- Light Weight and Compact



Model No.	Application	Output Connector	Output Voltage	Output Current			Voltage Accuracy	Ripple Noise	Line Reg.	Load Reg.
				Min	Rated	Peak				
L6R06H-050U	UL\cUL 62368-1 AV/ITE	USB Connector	+5.0V	0	1.2	—	±5%	100mV _{p-p} Max.	± 1%	± 5%
L6R06H-050		5.5 x 2.1 x 9.5mm Corded Plug	+5.0V	0	1.2	—				
L6R06H-070*			+7.0V	0	0.86	—				
L6R06H-090			+9.0V	0	0.67	—				
L6R06H-120			+12.0V	0	0.50	—				
L6R06H-150			+15.0V	0	0.40	—				
L6R06H-180			+18.0V	0	0.33	—				
L6R06H-190			+19.0V	0	0.31	—				
L6R06H-240			+24.0V	0	0.25	—				

* Output voltages from 6.0V to 8.9V do not meet Level VI efficiency requirements and are subject to associated importation regulations.

- Output voltages from 5.0Vdc to 24.0Vdc are available in increments of 0.1V. Please contact Tri-Mag, LLC for the part number and specifications for your output voltage requirement and application.
- The output voltage is verified to specs at 60 percent rated load condition.
- The **line regulation** is defined by changing ± 10 percent of input voltage from the nominal line at rated load.
- The **load regulation** is defined by changing ± 40 percent of the measured output load from 60 percent of the rated load.
- The **ripple and noise** is measured by using 20MHz bandwidth limited oscilloscope with each output terminated with a 10 µF electrolytic and a 0.1 µF capacitor at rated load and nominal line.
- The **efficiency** is measured at rated load and nominal line.

L6R06H Series

Innovative, reliable, and inexpensive. That's the **L6R06H Series**.

This economical, UL/cUL 62368-1 approved, DOE Level VI compliant power supply/charger is rated up to 6W when charging any mobile or wireless device.

Plenty of voltage levels to choose from, too. From 5.0Vdc all the way up to 24.0Vdc (in increments of 0.1V), to match your need.

Contact us (800-657-0853 or Sales@Tri-Mag.com) for the part number to match your specifications.

Specifications

Input

Input Voltage	• 90 Vac ~ 264 Vac
Input Frequency	• 47 Hz to 63 Hz
No Load Input Power	• < 0.1W
Input Current	• 1.2A Max.
Inrush Current	• 40A Max.
Leakage Current	• 0.25mA Max.
Input Connection	• US (others available)

Output

Output Voltage Range	• 5.0 to 24.0 Vdc
Output Current Range	• 250 - 1200mA, 6W Max.
Minimum Load	• No min. load required.
Line Regulation	• ± 1% at rated load across input voltage range
Load Regulation	• ± 5%
Ripple & Noise	• 100mVp-p Max.
Overvoltage Protection	• Auto recovery
Overload Protection	• Auto recovery
Short Circuit Protection	• Auto recovery

General

Insulation Resistance	• 50MΩ Min.
Efficiency	• Level VI compliant
MTBF	• 50,000 hrs to MIL-HDBK-217F at +25°C

Environmental

Operating Temperature	• 10°C to 40°C
Operating Humidity	• 5% - 95% RH, Non-Condensing
Storage Temperature	• -20°C to +80°C

EMC & Safety

Safety Approvals	• UL: UL62368-1
	• cUL: cUL62368-1
EMC Approvals	• FCC

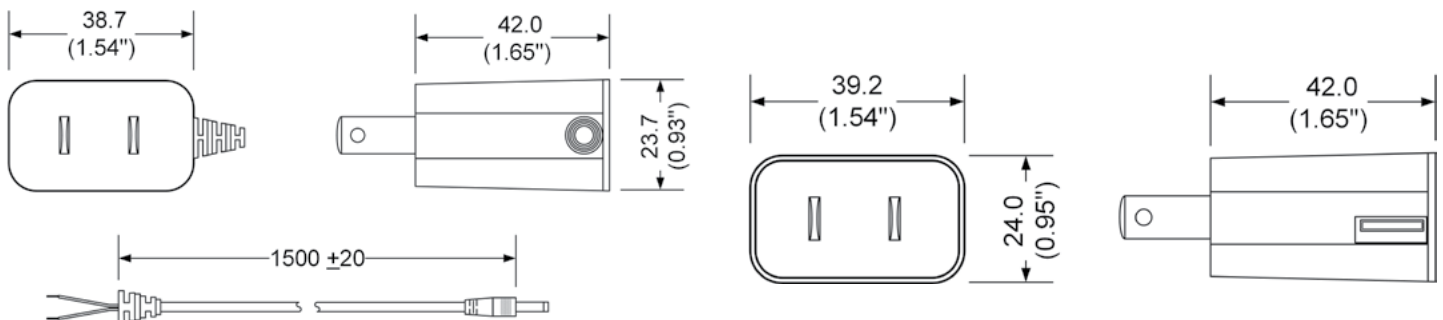
Warranty

Warranty Period	• 3 years
-----------------	-----------

Dimensions and Notes

Dimensions in mm	
Tolerance	• ± 0.2mm
Size	• Corded Output: 42.0 x 38.7 x 23.7 mm 1.65 x 1.52 x 0.93 Inches
	• L6R06H-050U: 42.0 x 39.2 x 24.0 mm 1.65 x 1.54 x .95 inches
Weight	• Approx. 90g (3.17 oz.)
Connectors	• AC input, US 2-prong inlet plug DC output, standard 5.5mm x 2.1mm corded dc output jack, USB Type A connector or per customer specification.
Cord length	• 1500 ± 20 mm (59 ± .8")

Mechanical Drawing



L6R06H-050U Outline Drawing

Standard Output Connector Polarity

