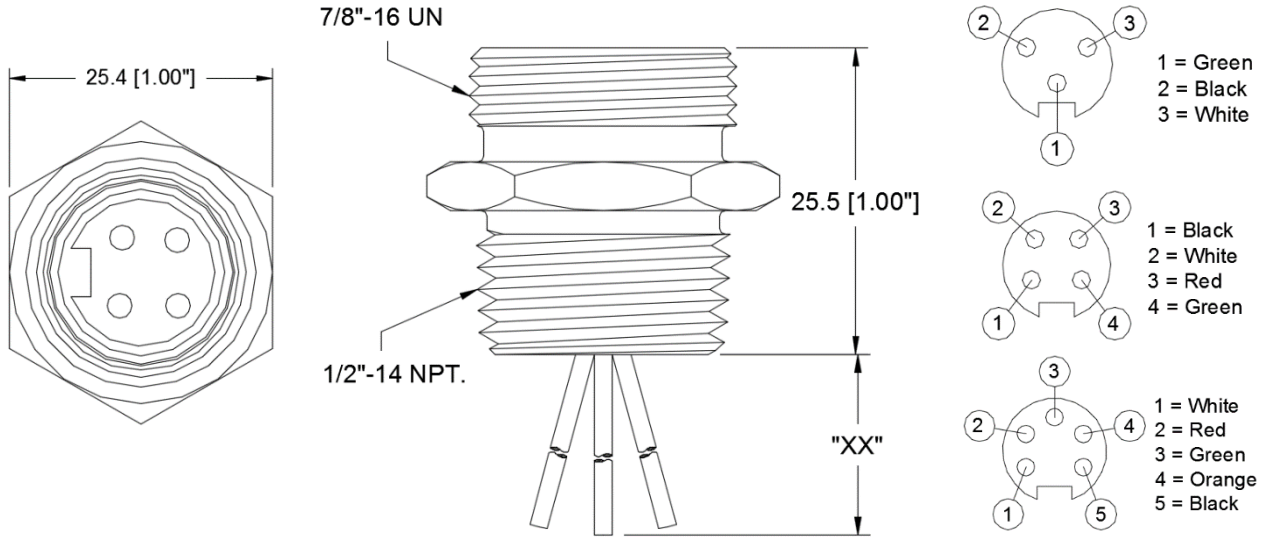


**Drawing**



**Technical Data**

**Mechanical**

Receptacle Style	Mini, Female
Applicable Specification	
Receptacle Threads	External
Housing	Zinc, Black, Leads Epoxy Potted
Insert	Polyurethane
Contact	Copper Alloy, Gold Plated
Mounting Orientation	1/2" 14-NPT
Panel Nut	Zinc Plated Steel
O-Ring	FKM

**Electrical**

<b>Contact Resistance</b>	≤ 5 mΩ
Nom. Current @ 40°C	8 A
Rated Voltage	600 V
UL File	E485156

**Lead Wires**

AWG	16 AWG (26/30) Tinned Copper
Insulation	PVC
Color Code	US
Outside Diameter	0.121" Nominal
<b>Lead Length</b>	0.5 Meters (19.7")
UL Style	AWM 1015 & 1230 and MTW
CSA Style	TEW

**Environmental**

Degree of Protection	IP 68/ NEMA 6P
Operating Temperature Range	-40C (-40F)/ +90C (+194F)
CE	All materials used in the manufacture of this part meet the requirements of European Directive 2011/65/EU regarding the restriction of use of certain hazardous substances in electrical and electronic equipment. Exemption used; 6a.
REACH Regulation (EC 1907/2006)	This product does not contain Substances of Very High Concern (SVHC) listed on the European Union's REACH candidate list in excess of 0.1% mass of the item.

Ordering Information	Description	Quantity
314JCF NC356	3 Pin, 1 Meter	Each
314JCF NC402	3 Pin, 0.3 Meter	Each
314JCF NC405	3 Pin, 2 Meter	Each
316JCF NC356	4 Pin, 1 Meter	Each
316JCF NC402	4 Pin, 0.3 Meter	Each
316JCF NC405	4 Pin, 2 Meter	Each
318JCF NC356	5 Pin, 1 Meter	Each
318JCF NC402	5 Pin, 0.3 Meter	Each
318JCF NC405	5 Pin, 2 Meter	Each

Although Alpha Wire ("Alpha") makes every reasonable effort to ensure their accuracy at the time of this publication, information and specifications described herein are subject to error or omission and to change without notice, and the listing of such information and specifications does not ensure product availability. Alpha provides the information and specification herein on an "AS IS" basis, with no representations or warranties, whether express, statutory or implied. In no event will Alpha be liable any damages (including consequential, indirect, incidental, special, punitive, or exemplary damages) whatsoever, even if Alpha has been advised of the possibility of such damages, whether in an action under contract, negligence or any other theory, arising out of or in connection with the use, or inability to use, the information or specification described herein.