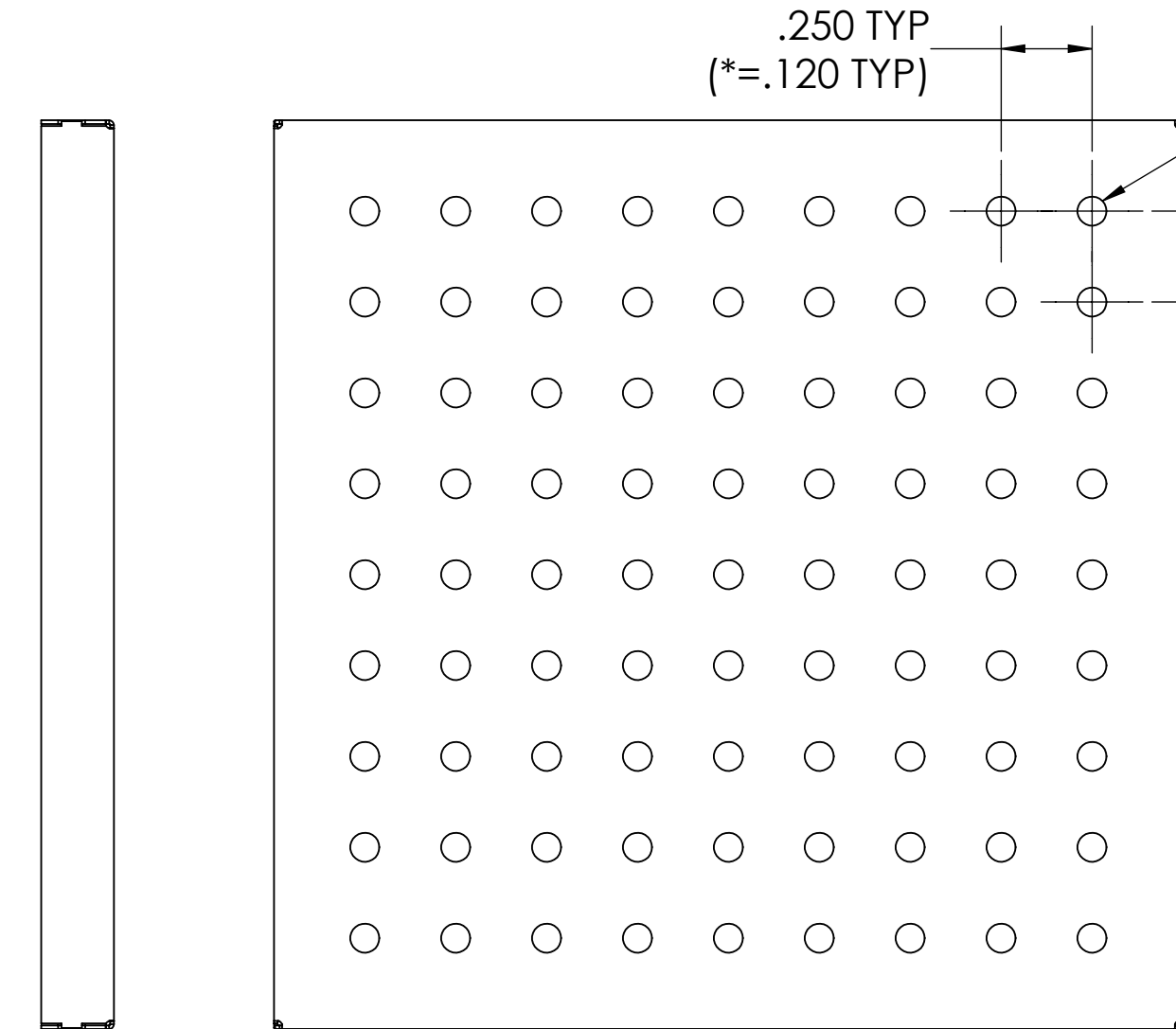


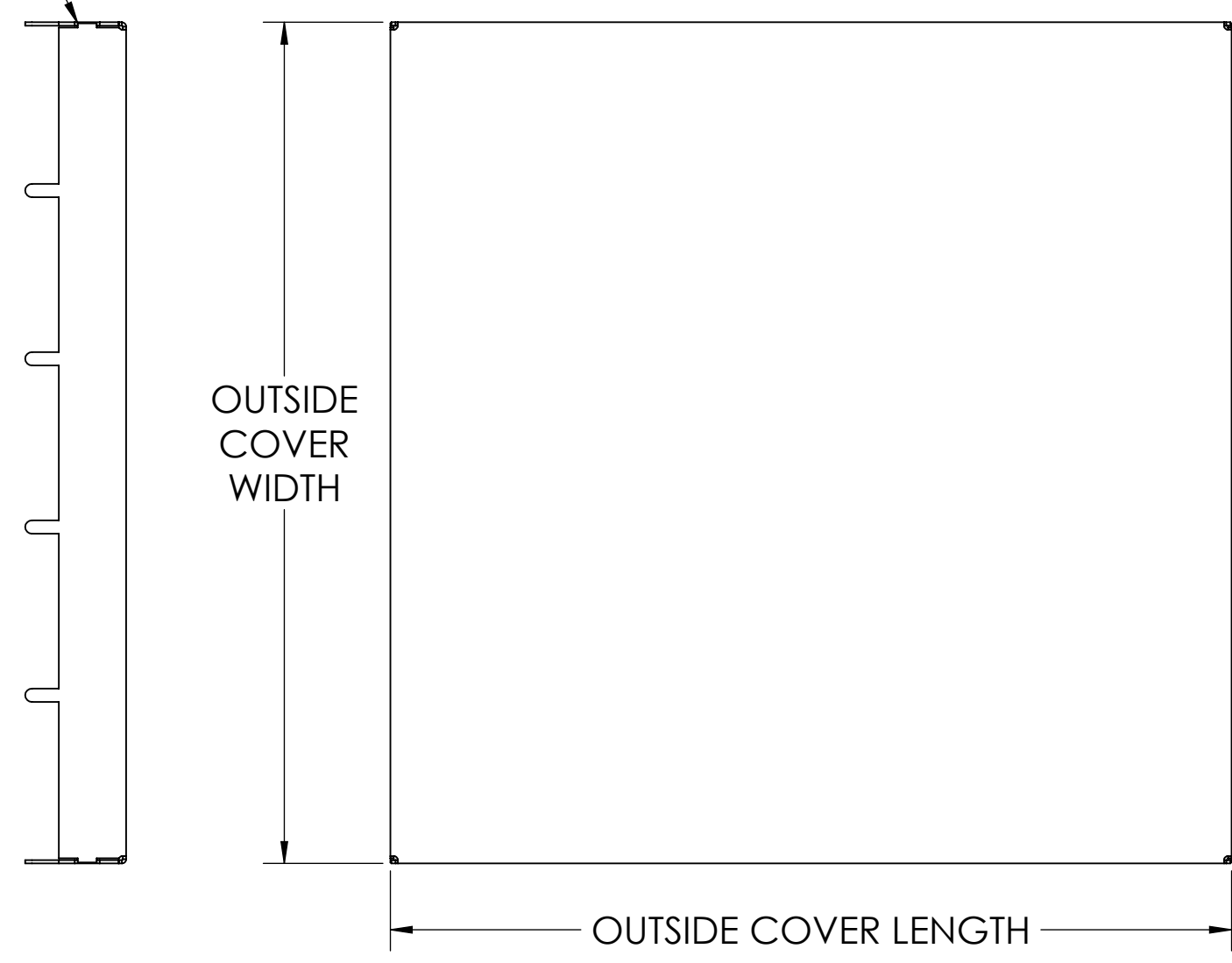
SV HOLE PATTERN



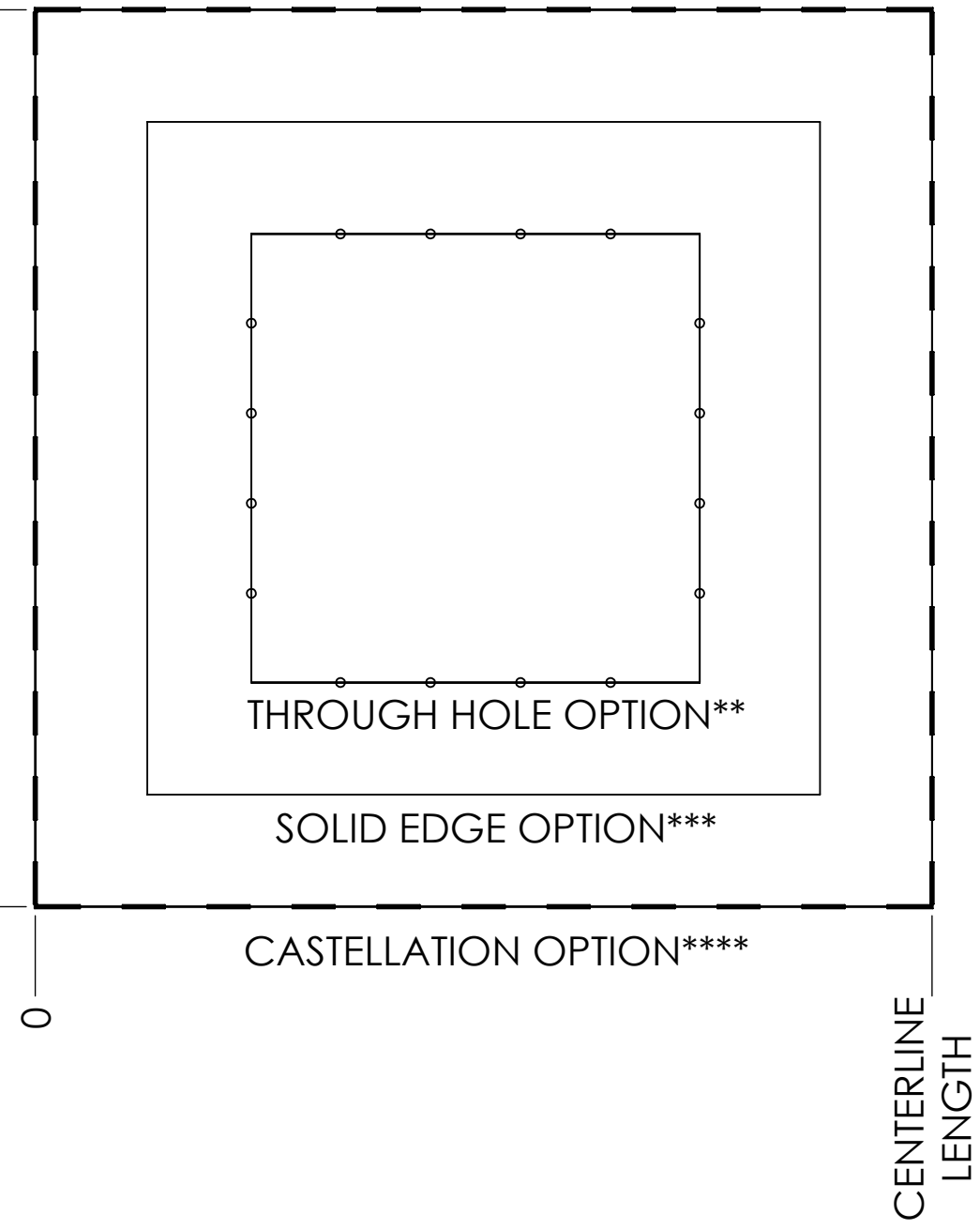
DV HOLE PATTERN

VENT HOLE OPTIONS	
TYPE	OPTION
H1	NONE
H2	Ø .060 SV *
H3	Ø .060 DV *
H4	Ø .080 SV
H5	Ø .080 DV
H6	Ø .118 SV
H7	Ø .118 DV
H8	Ø .156 SV
H9	Ø .156 DV
H20	CUSTOM

4X INTERLOCKING CORNER

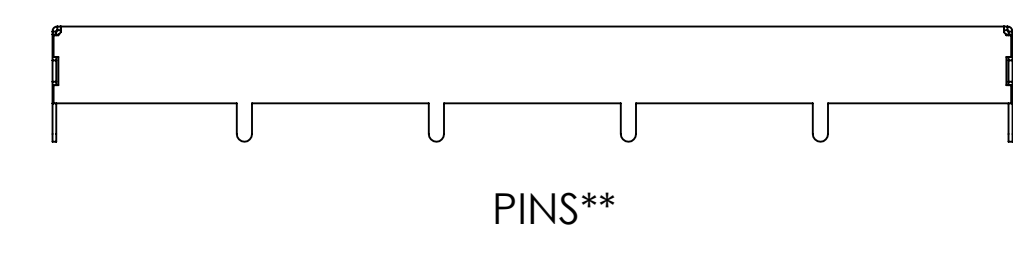


CENTERLINE WIDTH

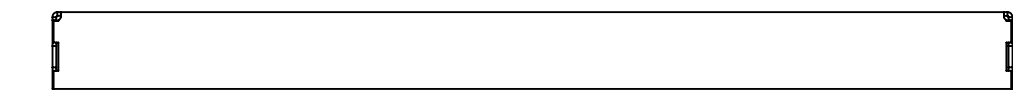


CENTERLINE LENGTH

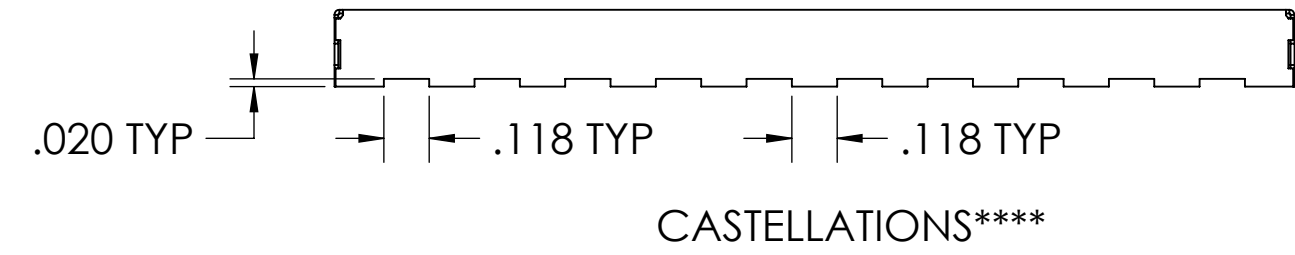
COVER HEIGHT



PINS\*\*



SOLID EDGE\*\*\*



CASTELLATIONS\*\*\*\*

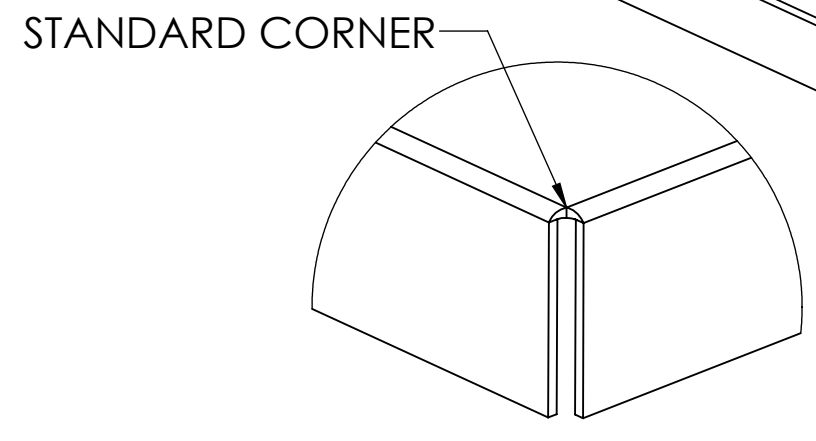
EDGE OPTIONS	
TYPE	OPTION
E0	SOLID EDGE
E2	PIN .020W X .025L
E4	PIN .025W X .120L
E6	PIN .030W X .050L
E8	PIN .030W X .100L
E10	PIN .032W X .045L
E12	PIN .040W X .030L
E14	PIN .040W X .060L
E16	PIN .040W X .100L
E18	PIN .040W X .120L
E20	PIN .040W X .150L
E22	PIN .040W X .165L
E24	PIN .045W X .057L
E26	PIN .045W X .085L
E28	PIN .045W X .110L
E50	CASTELLATIONS
E60	CUSTOM

NOTES:

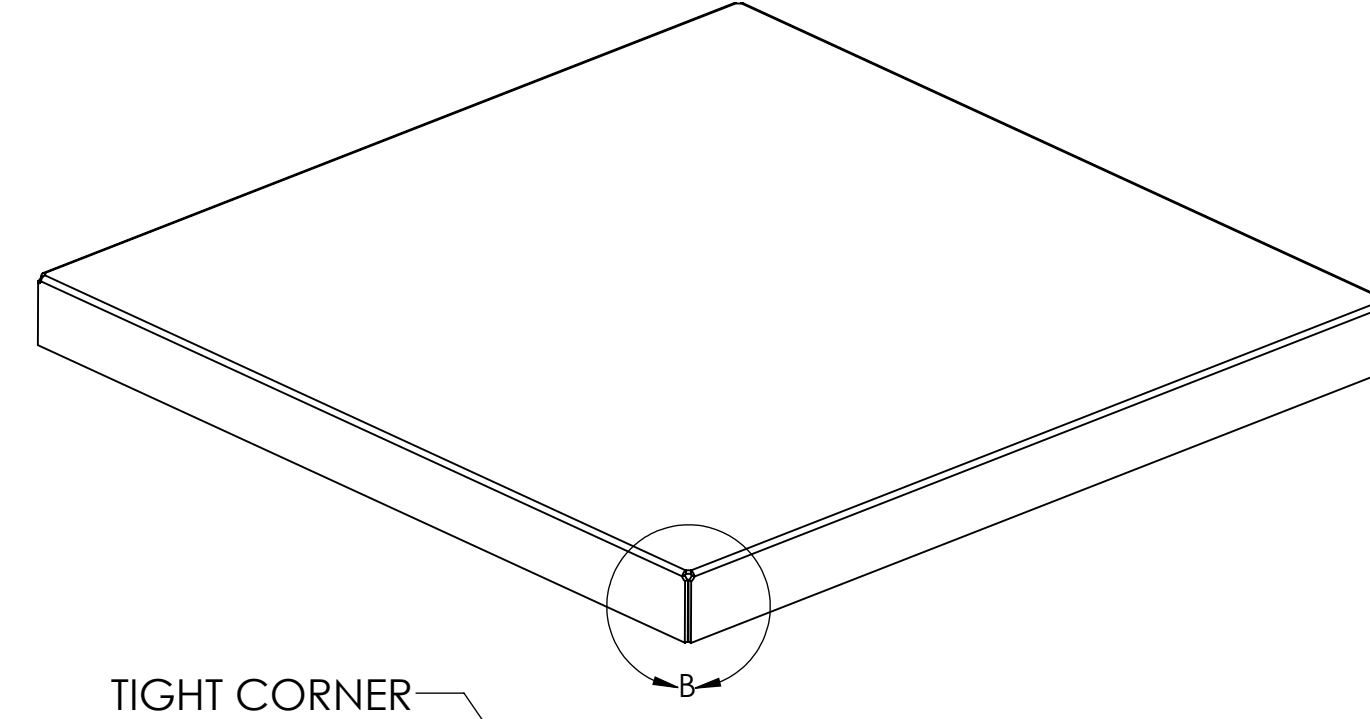
- PIN LOCATIONS AND FREQUENCY BASED ON THE APPLICATION
- FINISH:
  - ALLOY 770: N/A
  - PRE TIN STEEL: BRIGHT (STANDARD) OR MATTE

MATERIAL OPTIONS		PACKAGING OPTIONS	
TYPE	OPTION	TYPE	OPTION
M1	.010 ALLOY 770	P1	STANDARD LAYER PACK
M2	.015 ALLOY 770	P2	CUSTOM TRAY PACK
M3	.010 PRE TIN STEEL	P3	TAPE AND REEL
M4	.015 PRE TIN STEEL	P4	CUSTOM

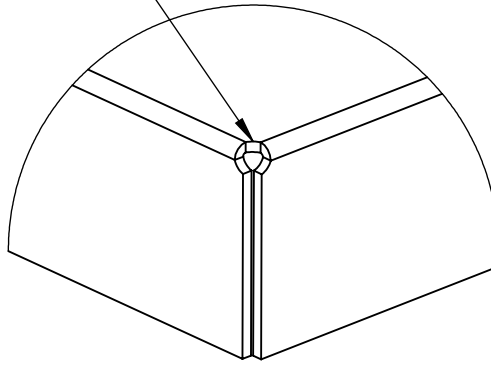
PART CREATION	
FEATURE	TYPE/VALUE
CENTERLINE LENGTH	
CENTERLINE WIDTH	
COVER HEIGHT	
CORNER TYPE	
MATERIAL OPTION	
FINISH OPTION, SEE NOTE 2	
EDGE OPTION	
VENT HOLE OPTION	
PACKAGING OPTION	



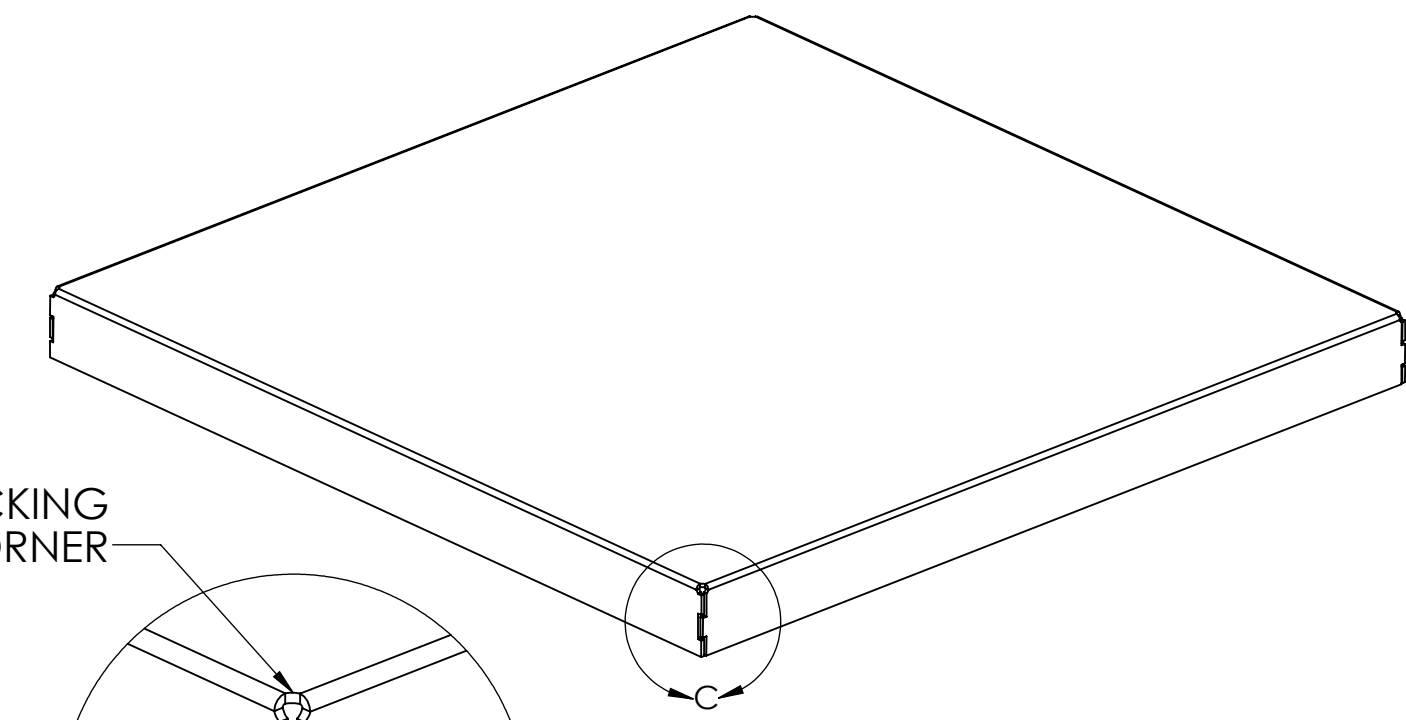
DETAIL A SCALE 6:1



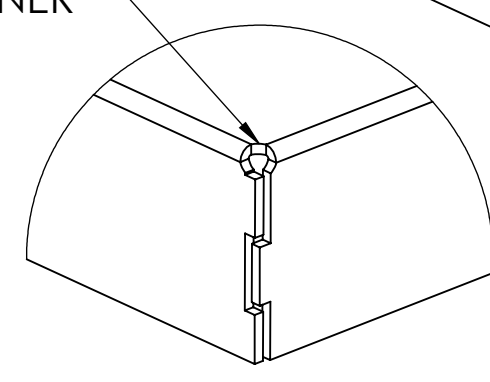
TIGHT CORNER



DETAIL B SCALE 6:1



INTERLOCKING CORNER



DETAIL C SCALE 6:1

THIS DOCUMENT CONTAINS PROPRIETARY INFORMATION OWNED BY LEADERTECH OR DEVELOPED AT ITS OWN PRIVATE EXPENSE AND MAY NOT BE USED, DUPLICATED OR DISCLOSED IN WHOLE OR IN PART FOR ANY PURPOSE INCLUDING DESIGN, MANUFACTURE OR PROCUREMENT WITHOUT THE WRITTEN PERMISSION OF LEADERTECH. LEADERTECH DOES NOT GUARANTEE OR WARRANT THE PERFORMANCE CHARACTERISTICS.

THIRD ANGLE PROJECTION

UNLESS OTHERWISE SPECIFIED:  
 - ALL DIMENSIONS ARE IN INCHES  
 - PART SHALL BE FREE OF BURRS AND SHARP EDGES  
 - ALL DIMENSIONS SHOWN APPLY BEFORE PLATING AND COATINGS  
 - ROHS COMPLIANT PER EU DIRECTIVE 2002/95/EC  
 - POI = POINT OF INTERSECTION

ANGLES +/- 2°

DRAWN BY: JG 2012/11/08 APPROVED BY: RS 2012/11/08

FRONT: SEE NOTE 2

MATERIAL: SEE MATERIAL OPTIONS TABLE

LEADER TECH  
 a HEICO company  
 The Leading Edge in PCB Manufacturing

TITLE: ONE PIECE SHIELD

SIZE: D 1 PIECE SHIELD B

SCALE: 2:1 CAGE CODE: 4J674 SHEET: 1 OF 1