

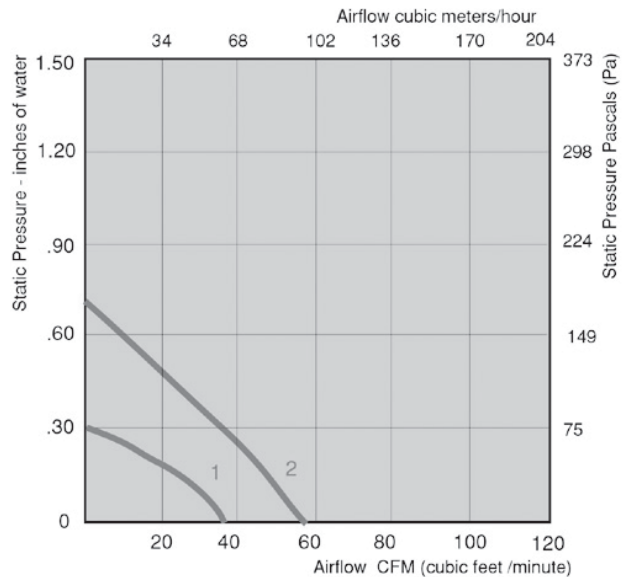
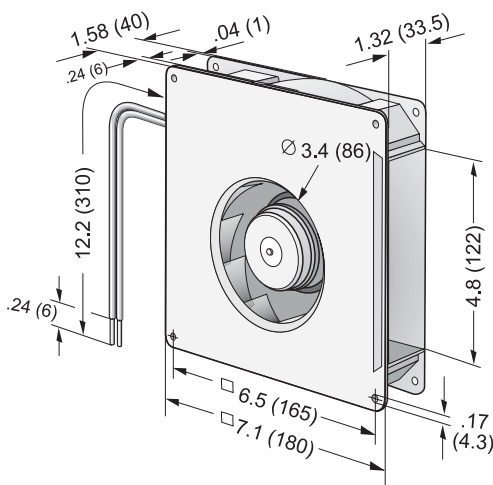
RG125DC Series

Flatpak

180x180x40mm

- DC radial blower with electronically commutated external rotor motor. Fully integrated commutation electronics.
- With electronic protection against reverse polarity, blocking and overloading by PTC-resistor; partially impedance protected.
- Spiral housing and blower of fiberglass reinforced plastic. Housing base of galvanised steel plate.
- Radial air exhaust through housing port.
- Electrical connection via 2 leads AWG 22, TR 64. Stripped and tinned ends.
- UL, CSA, VDE approvals on some models, please contact application engineering.

Part Number	Curve	CFM @ 0	VDC	Volt. Range	Power (W)	dBa	Max Amb. Temp C	Bearing Type	Features	Wgt. (lbs)
RG125-19/12NM	1	35	12	7 to 15	2	48	75	Ball	Leads	1.63
RG125-19/12N	2	52	12	7 to 15	5	58	75	Ball	Leads	1.63
RG125-19/14NM	1	35	24	12 to 28	2	48	75	Ball	Leads	1.63
RG125-19/14N	2	52	24	12 to 28	5	58	75	Ball	Leads	1.63
RG125-19/18N	2	52	48	36 to 56	5	58	75	Ball	Leads	1.63



e-mail: sales@us.ebmpapst.com · TEL: 860-674-1515 · FAX: 860-674-8536

ebm-papst Inc., 100 Hyde Road, Farmington, CT 06034 USA

ebm-papst Inc., 2004 © ebm-papst Inc. reserves the right to change any specifications or data without notice