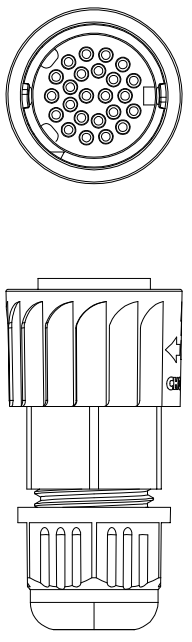
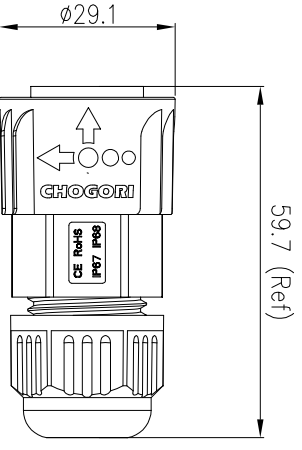
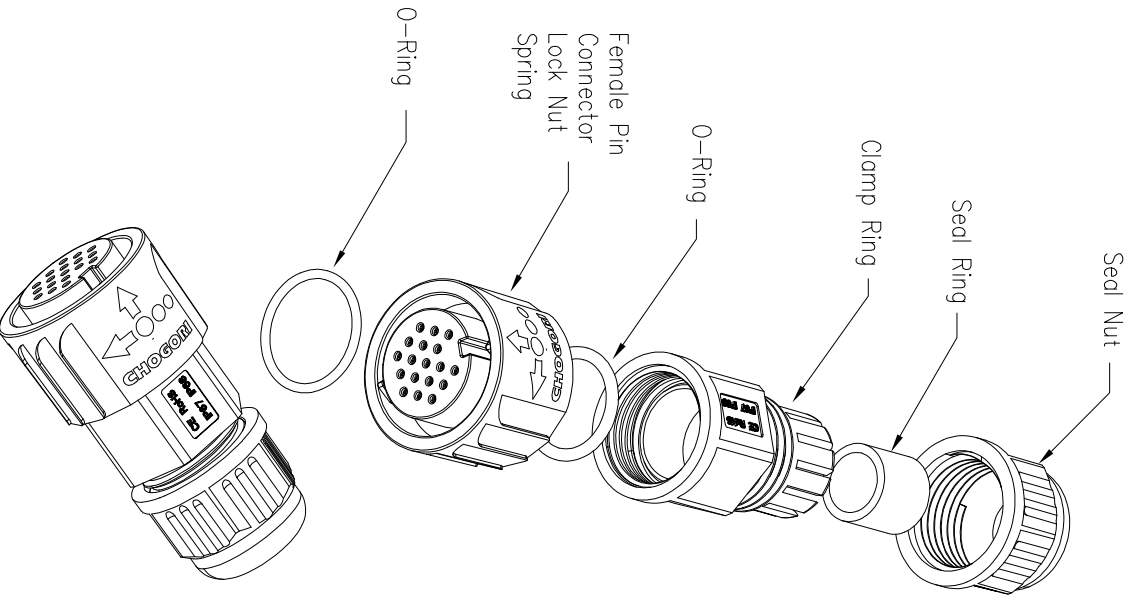


REV.	EN. NO.	DESCRIPTION	SIGN	DATE
C1	N/A	INITIAL DRAWING	Liu	2019/08/13



24XXX231-XX Cable Range OD  
 01 OD:  $\phi$ 3.5mm~ $\phi$ 6.8mm  
 02 OD:  $\phi$ 6.8mm~ $\phi$ 10.5mm

Pin Assignments Front View	Pin Assignments Front View	Pin Assignments Front View
 9 Pin	 18 Pin	 24 Pin



- Specification:
- 1.Operation Temperature:  $-45^{\circ}\text{C}\sim 105^{\circ}\text{C}$ .
  - 2.Insulation Resistance:  $100\text{M}\Omega$  at DC500V.
  - 3.Contact Resistance:  $<10\text{m}\Omega$ .
  - 4.Withstand Voltage: 1500V AC
  - 5.Operating Current: 5A
  - 6.Operating Voltage: AC 125V
  - 7.Waterproof Rate: IP67 (Mated)
  - 8.Seal Nut: Nylon, Black
  - 9.Seal Ring: Silicon, Black.
  - 10.Clamp Ring: Nylon, Black
  - 11.O-Ring: Silicon, Red
  - 12.Female Pin: Copper Alloy, Gold Plated
  - 13.Connector: Nylon+GF, Black
  - 14.Lock Nut: Nylon, Orange
  - 15.Spring: SUS
  - 16.O-Ring: Silicon, Red
  - 14.RoHS Compliant.
  - 15.Mating Cap: 804-00008-00

UNIT: mm	DESCRIPTION	PART NO	DRAWN BY	DATE
TOLERANCE X: $\pm 0.25$ XX: $\pm 0.15$ XXX: $\pm 0.05$ ANGLES: $\pm 1^{\circ}$	Large Series Push Lock Male Plug With Female Pin	24XXX231-XX	Liu	2019/08/13
SCALE: 1:1	SHEET: 1 OF 1	DWG NO	CHECKED BY	DATE
REV: C1	SIZE: A4	CUSTOMER	APPROVED BY	DATE
	* : Inspection Item		Panson	2019/08/13

