

MICRO SWITCH

FREEPORT ILLINOIS, U.S.A
A DIVISION OF HONEYWELL

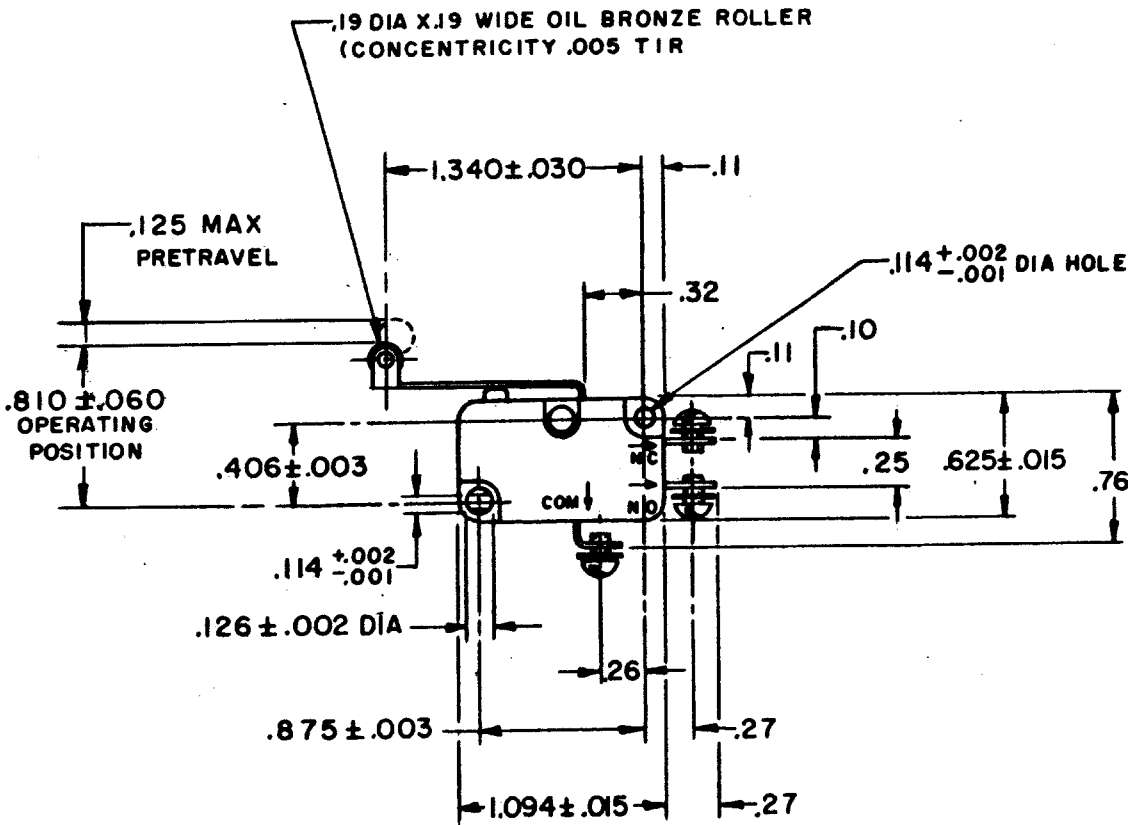
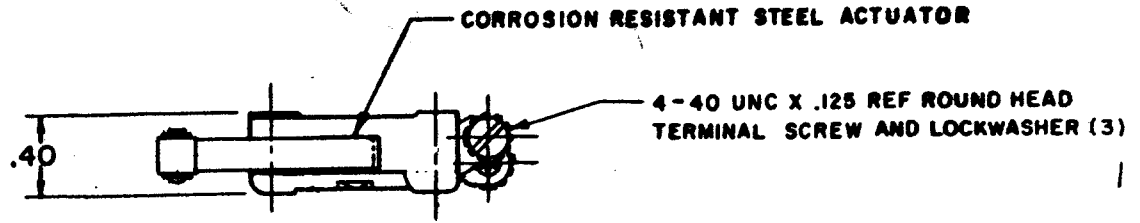
FED. MFG. CODE 91999

SWITCH-BASIC

CATALOG LISTING

V3L-III

CQ-B1100



V3L-III

M

DRAWING NUMBER

ISSUE

REVISE

REPLACES SR 12887

RELEASE NO. SR 12887

CHECK

13 JUN 67

CHECK CFH

13 JUN 67

CHECK

13 JUN 67

CHECK LSD

13 JUNE 67

DRAWN

M B F 13 JUNE 67

FO-80378-1A

| REVISED | DATE | BY | REASON |
|---------|----------|----|--------|
| A | 12 26 67 | | |
| B | 29 3 67 | | |
| B | 20 2 64 | | |
| C | 20 2 68 | | |
| C | 20 2 68 | | |
| D | 27 8 69 | | |
| E | 15 10 72 | | |
| E | 15 10 72 | | |
| F | 23 7 78 | | |
| G | 14 5 94 | | |

THIS DRAWING COVERS A PROPRIETARY ITEM AND IS THE PROPERTY OF MICRO SWITCH. A DIVISION OF HONEYWELL. THIS DRAWING IS NOT TO BE COPIED OR USED WITHOUT THE APPROVAL OF MICRO SWITCH.

| CHARACTERISTICS | ELECTRICAL DATA | SCALE FULL |
|-----------------|--|--|
| | OPERATING FORCE — — — — 4 OZ MAX RELEASE FORCE — — — — 1/2 OZ MIN DIFFERENTIAL TRAVEL — — — — .050 MAX OVERTRAVEL — — — — .085 MIN RELEASE TRAVEL — — — — .011 MIN | CONTACT ARRANGEMENT S P D T - L156 - 11A-1/3HP-125-250-277 VAC 1/2A-125 VDC; 1/4A-250 VDC 4A-125 VAC "L" |
| | | WEIGHT |