

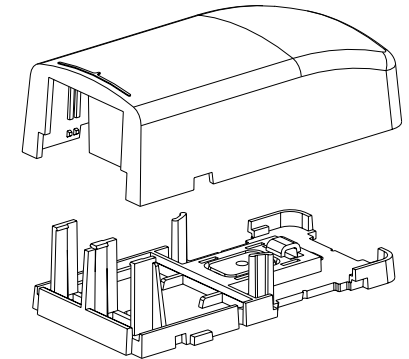
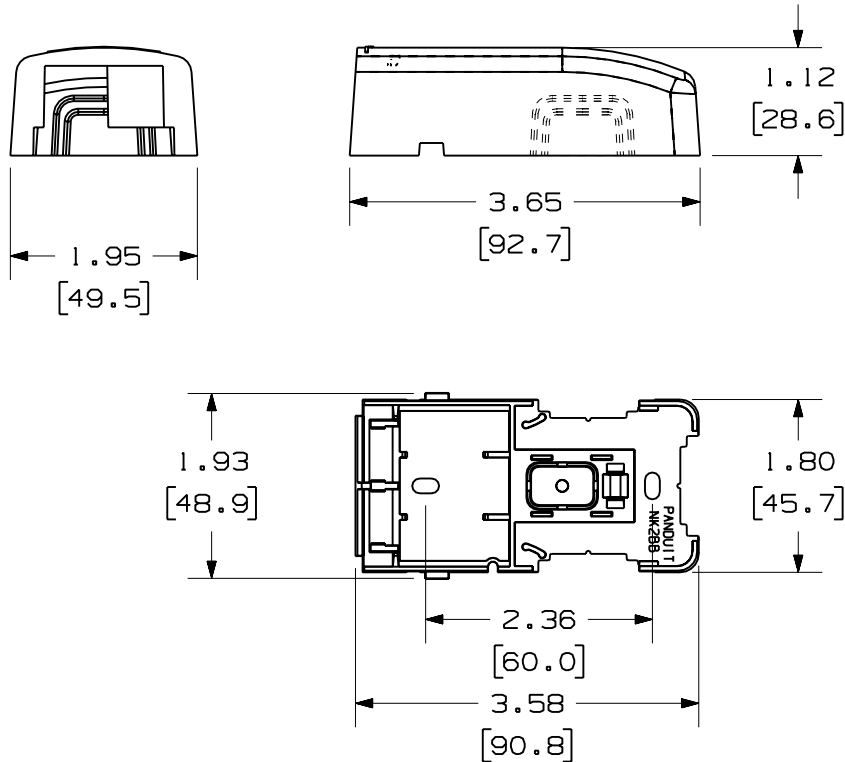
THIS COPY IS PROVIDED ON A RESTRICTED BASIS AND IS NOT TO BE USED IN ANY WAY DETRIMENTAL TO THE INTERESTS OF PANDUIT CORP.


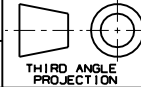
NO WARRANTY, EXPRESSED OR IMPLIED, IS MADE BY PANDUIT WITH RESPECT TO ADHESIVE BOND PERFORMANCE. AMONG OTHER THINGS, THE CONDITIONS UNDER WHICH THESE MOUNTS MAY BE APPLIED AND/OR THE SURFACE TO WHICH THEY MAY BE APPLIED ARE BEYOND PANDUIT'S CONTROL.

PANDUIT PART NO.	WEIGHT
NK2BX**-A	.76 LB/10 PCS (345.0 g/10 PCS)

NOTES:

- SEE CURRENT CATALOG FOR ADDITIONAL PART NUMBER SUFFIXES TO INDICATE COLOR AND/OR PACKAGE QUANTITY.
- BOX ACCEPTS 2 NETKEY™ MODULES.
- THIS PRODUCT CAN BE USED WITH PANDUIT TYPE LDS, LDP, AND LD RACEWAYS.
- DIMENSIONS IN PARANTHESIS ARE IN METRIC.
- PART INCLUDES:
  - 1- BOX COVER
  - 1- BOX BASE
  - 2- MOUNTING SCREW
  - 1- CABLE TIE
  - 1- FOAM TAPE



DRAWING FILENAME		M00661AC_DC_00A.PRT	SIZE	A	
NETKEY™ 2 POSITION SURFACE MOUNT BOX CUSTOMER DRAWING					
 <b>PANDUIT</b> ® TINLEY PARK, IL 60477		I.I. NUMBER			N/A
		PRODUCT SPEC			N/A
 THIRD ANGLE PROJECTION		WORK INSTRUCTION			N/A
		SCALE			NONE
DRAWN BY		MATERIAL:		PART NO.	
JsP		ABS		NK2BX**-A	
DATE		CHK'D		DRAWING NO.	
11-10-05				00661-01	

REV	DATE	BY	CHK	DESCRIPTION	ECN	R	CUST	SUP	OTH
R	11-10-05	JsP		RELEASED TO PRODUCTION	00661-01				