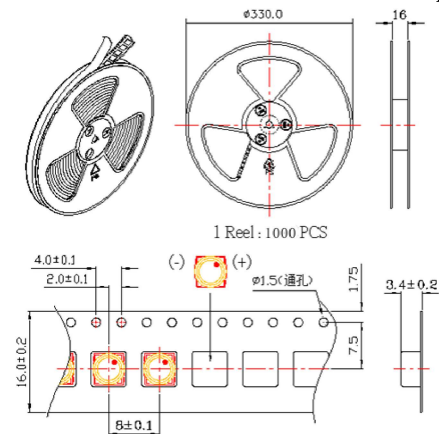
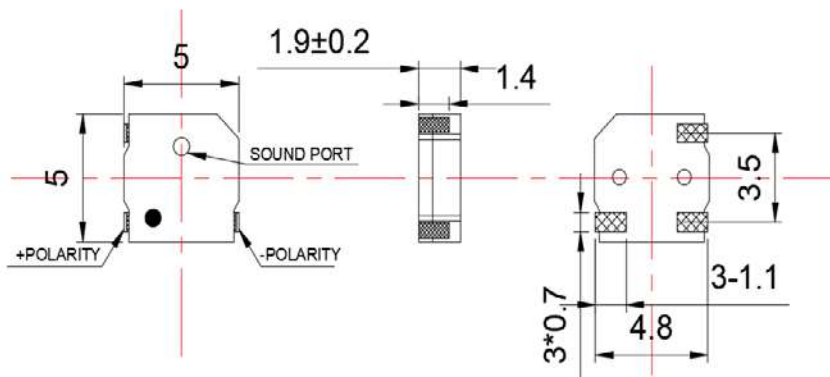


**May not be suitable for all Medical and Aerospace applications.
Contact Mallory Sonalert to discuss your application.**

NO CIRCUITRY

Oscillation Frequency (Hz)	4000
Operating Voltage (Vpp)	2 ~ 4
Rated Voltage (Vpp)	3.0
Current Consumption Max. (mA)	110 at Rated Voltage
Sound Pressure Level Min. (dB)	75 at 10cm at Rated Voltage
Coil Resistance (Ω)	12 ± 3
Operating Temperature ($^{\circ}\text{C}$)	$-20 \sim +70$
Storage Temperature ($^{\circ}\text{C}$)	$-30 \sim +80$
Housing	LCP Plastic Resin (Color: Black)
Type of Connection	SMT
Condition by wave soldering ($^{\circ}\text{C}$)	250 ± 5 / within 5 sec
Condition by hand soldering ($^{\circ}\text{C}$)	350 ± 20 / within 5 sec
Weight (Grams)	0.13
Options	For other options contact factory

Dimensions: (units: mm)**ROHS Compliant**

Packaging: Parts are supplied on tape-and-reel, 1000 pcs/reel.

Units do not come with wash label and are not appropriate for aqueous wash.