

## Technical Characteristics

Part Number

### Han 16B ECO Rear-Mount Kit

Hood	Angled Entry
Housing	Double Lever Bulkhead
Material	Polyamide Plastic
IP / NEMA	IP65 / 4, 4x, 12
Temp Rating	-40 to +125C
Cable Gland	M32 Plastic
Cable Diameter	13 – 21mm
Insert	Han 16E, 16+GND
Screw Terminals	18-14AWG
Stripping Length	7.5mm
Mating Cycles	>500
Flammability	V-0

### Electrical Characteristics

Rated Current	16amps
Rated Voltage	600V
Rated Impulse Voltage	6kV

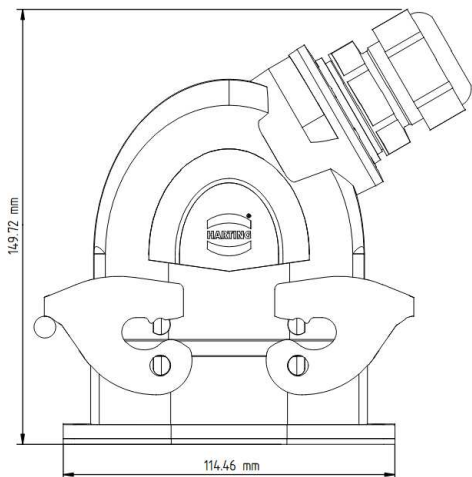
**73 10 100 0003**

**UL508**

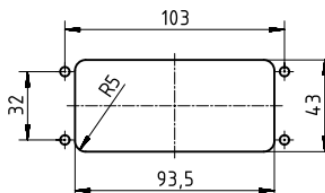


## Drawings and Assembly Information

Dimensions in mm



panel cut out  
for assembly from  
the inner side of cabinet



### Tooling and Torque Values

Type	Tool	Torque (Nm)
Terminal Screws (M3)	PH1 or Slotted 0.6 x 3.5	0.50
Fixing Screw (M3)	PH2 or Slotted 0.6 x 3.5	0.50
Mounting Screws (M4 recommended)	-	0.8...1.0
Cable Gland (M32)	SW36	15

### Kit Contents

Male Insert	09 33 016 2601
Female insert	09 33 016 2701
Housing	19 43 016 0320
Hood & Gland	19 43 116 0527