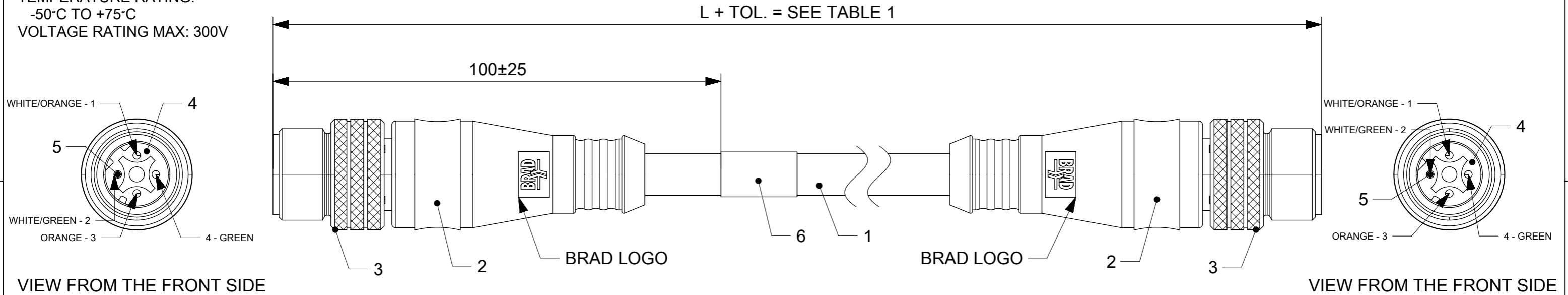


CABLE SPECIFICATION

CONDUCTOR:
 MATERIAL: TINNED COPPER
 SECTION: 24AWG
INSULATION:
 COMPOUND: PE
 DIAMETER: 0.99mm
 PAIRS: COLOR CODED SINGLES
 TWISTED INTO PAIRS.
JACKET:
 COMPOUND: TPE
 COLOR: TEAL
 DIAMETER: 5.58mm
 TEMPERATURE RATING:
 -50°C TO +75°C
 VOLTAGE RATING MAX: 300V

| TABLE OF LENGTH TOLERANCES | | |
|----------------------------|---------------------|---------------|
| OVER | UP TO AND INCLUDING | TOLERANCE (+) |
| 0 | 305 | +19 |
| 305 | 915 | +45 |
| 915 | 1830 | +56 |
| 1830 | 3660 | +89 |
| 3660 | 7320 | +165 |
| 7320 | 14640 | +317 |
| 14640 | 30500 | +610 |
| 30500 | > | +2% OF LENGTH |

| | |
|-------------|-------------------------------------|
| REVISION A | TRANSFERRED TO ECTR NEW PN ADDED |
| REVISION A1 | ADDED NEW PN |
| REVISION A2 | WIRING UPDATED |



NOTES:
 1. BRAD LOGO - ONLY IN ONE SIDE ON THE OVERMOULD.

BILL OF MATERIALS

| ITEM | QTY. | DESCRIPTION | MATERIAL | FINISH |
|------|------|----------------------|--------------|--------------------|
| 6 | 1 | LABEL | VINYL | - |
| 5 | 8 | CONTACT MALE | COPPER ALLOY | GOLD OVER NICKEL |
| 4 | 2 | INSERT D-CODE 4 POLE | ELASTOLLAN | - |
| 3 | 2 | COUPLING NUT M12 | BRASS | TEFLON OVER NICKEL |
| 2 | - | OVERMOULD MATERIAL | TPE | BLACK |
| 1 | - | ETHERNET CABLE CAT5E | TPE | TEAL |

TABLE 1

| MOLEX PN | ENGINEERING No | L [mm] | MOLEX PN | ENGINEERING No | L [mm] |
|------------|----------------|--------|------------|----------------|--------|
| 1300480095 | E11A06004M010 | 1000 | 1300480108 | E11A06004M180 | 18000 |
| 1300480096 | E11A06004M020 | 2000 | 1300480109 | E11A06004M200 | 20000 |
| 1300480097 | E11A06004M030 | 3000 | 1300480110 | E11A06004M240 | 24000 |
| 1300480098 | E11A06004M040 | 4000 | 1300480111 | E11A06004M300 | 30000 |
| 1300480099 | E11A06004M050 | 5000 | 1300480112 | E11A06004M500 | 50000 |
| 1300480100 | E11A06004M060 | 6000 | 1300480251 | E11A06004M003 | 300 |
| 1300480101 | E11A06004M070 | 7000 | 1300480252 | E11A06004M006 | 600 |
| 1300480102 | E11A06004M080 | 8000 | 1300480253 | E11A06004M250 | 25000 |
| 1300480103 | E11A06004M090 | 9000 | 1300480315 | E11A06004M380 | 38000 |
| 1300480104 | E11A06004M100 | 10000 | 1300480316 | E11A06004M230 | 23000 |
| 1300480105 | E11A06004M120 | 12000 | 1300480317 | E11A06004M270 | 27000 |
| 1300480106 | E11A06004M140 | 14000 | 1300480318 | E11A06004M340 | 34000 |
| 1300480107 | E11A06004M150 | 15000 | 1300480319 | E11A06004M420 | 42000 |

| MOLEX PN | ENGINEERING No | L [mm] |
|------------|----------------|--------|
| 1300480322 | E11A06004M570 | 57000 |
| 1300480323 | E11A06004M650 | 65000 |
| 1300480324 | E11A06004M760 | 76000 |
| 1300480325 | E11A06004M800 | 80000 |
| 1300480326 | E11A06004M850 | 85000 |

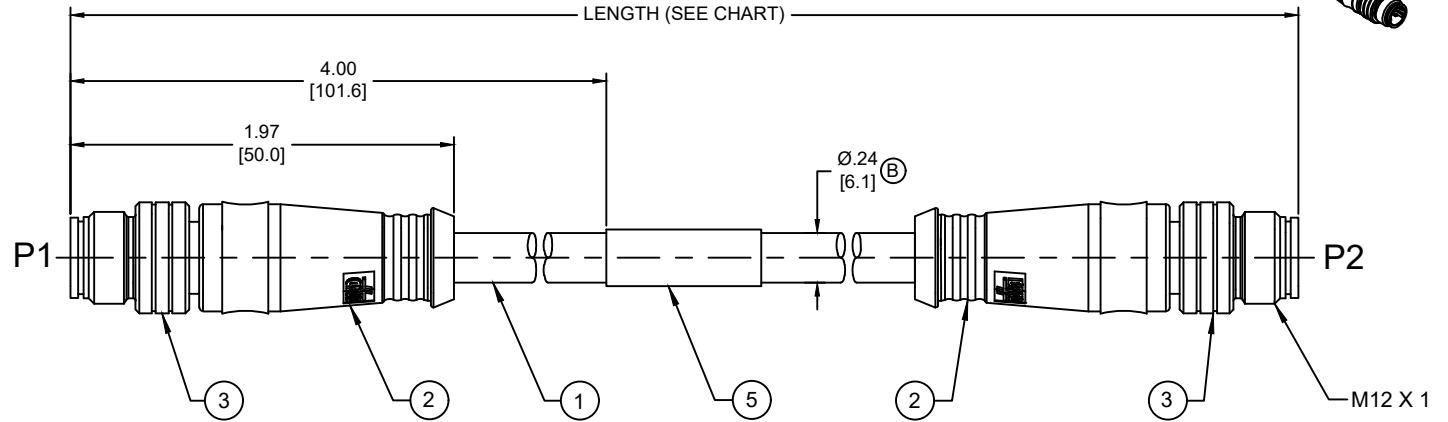
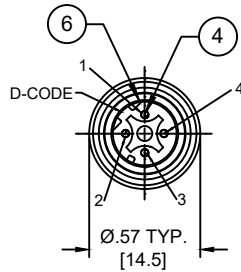
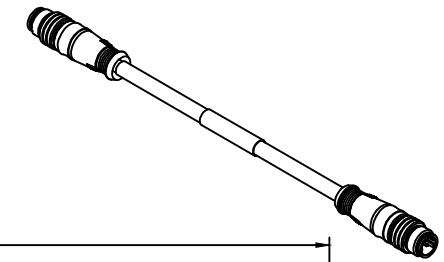
THIS DRAWING CONTAINS INFORMATION THAT IS PROPRIETARY TO MOLEX ELECTRONIC TECHNOLOGIES, LLC AND SHOULD NOT BE USED WITHOUT WRITTEN PERMISSION

| | | | | | |
|---|---|--|---|--|--------------------------|
| EC NO: 109023 DRWN: DSTACHOWIAK CHK'D: APPR: MIWASIECZKO | 2016/09/14 2016/10/24 | GENERAL TOLERANCES (UNLESS SPECIFIED) ANGULAR TOL ± ° | DIMENSION UNITS: MM SCALE: 2:1 | | |
| | 4 PLACES ± 3 PLACES ± 2 PLACES ± 1 PLACE ± 0 PLACES ± | DRWN BY: MMATLA DATE: 2016/06/27 | DRWN BY: MIWASIECZKO DATE: 2016/07/13 | | PRODUCT CUSTOMER DRAWING |
| | DRAFT WHERE APPLICABLE MUST REMAIN WITHIN DIMENSIONS | DRAWING SIZE: A3 THIRD ANGLE PROJECTION | SERIES: 130048 MATERIAL NUMBER: SEE TABLE 1 CUSTOMER: GENERAL MARKET | | |
| | A2 | REV: | DOCUMENT NUMBER: 1300480095 DOC TYPE: PSD DOC PART: 00P SHEET NUMBER: 1 OF 1 | | |

| PART NO | ENGINEERING NO. | FINISHED LENGTH |
|------------|-----------------|------------------|
| 1300480251 | E11A06004M003 | 0.3M [12 IN] |
| 1300480319 | E11A06004M420 | 42M [137FT 10IN] |
| 1300480326 | E11A06004M850 | 85M [278FT 10IN] |

PART NO. MATRIX
E11A06004M003

FINISHED LENGTH
M005 = 0.5 METER
M010 = 1 METER
M100 = 10 METER



- NOTES:
- MATERIAL: SEE TABLE
 - FINISHES: SEE TABLE
 - MATES WITH: MICRO CHANGE, 4 POLE RECEPTACLE
 - ELECTRICAL DATA:
ACCORDING TO CAT5e ETHERNET STANDARD
INLINE CORDSET
MALE D-CODING TO MALE D-CODING
24AWG
POLES: 4
MAX. VOLTAGE: 250V
MAX. CURRENT 1.5A^(B)
CONTACT RESISTANCE: <5m Ohm
INSULATION WITHSTAND: >100M Ohm
TEMPERATURE RANGE: -20°C TO +75°C^(B)
PROTECTION: IP67 (WHEN MATED)
UL E200650
 - ASSEMBLY IS RoHS COMPLIANT.
 - ALL DIMENSIONS ARE FOR REFERENCE
UNLESS TOLERANCED OR NOTED OTHERWISE.

MECHANICAL CHARACTERISTICS:^(B)

| | |
|-----------------|---|
| FLEX LIFE: | (126 CYCLES/MIN @ 20° C) 1 MILLION CYCLE TEST (10X CABLE O.D., MINIMUM RADIUS) 10 MILLION CYCLE TEST (20X CABLE O.D., MINIMUM RADIUS) |
| TORSIONAL FLEX: | (1 LB LOAD, 360°, 71 CYCLES/MIN @ 20° C) 3 MILLION CYCLE TEST |

| P1 | | P2 |
|----|-------|----|
| 1 | WH-OG | 1 |
| 2 | WH-GN | 2 |
| 3 | OG | 3 |
| 4 | GN | 4 |

WIRING DIAGRAM

| CABLE LENGTH TOLERANCES | |
|--------------------------|-------------------------|
| <.3M [1FT]: | +19mm-0 [+ .75in-0] |
| .3 - .9M [1 - 3FT]: | +44.5mm-0 [+1.75in-0] |
| .9 - 1.8M [3 - 6FT]: | +55.6mm-0 [+2.19in-0] |
| 1.8 - 3.7M [6 - 12FT]: | +88.9mm-0 [+3.50in-0] |
| 3.7 - 7.3M [12 - 24FT]: | +165.1mm-0 [+6.50in-0] |
| 7.3-14.6M [24 - 48FT]: | +317.5mm-0 [+12.50in-0] |
| 14.6 - 30.5M [48-100FT]: | +622.3mm-0 [+24.50in-0] |
| OVER 30M [100FT]: | +2% OF FINISHED LENGTH |

| 6 | 2 | INSERTS | TPU | BLACK |
|------|------|----------------------|--------------|---------------|
| 5 | 1 | LABEL | PLASTIC FILM | BLACK/YELLOW |
| 4 | 8 | MALE TERMINAL | COPPER ALLOY | GOLD PLATED |
| 3 | 2 | COUPLING NUT | BRASS | NICKEL PLATED |
| 2 | 2 | OVERMOLD | TPC | BLACK |
| 1 | 1 | ETHERNET CABLE-CAT5e | TPE JACKET | TEAL |
| ITEM | QTY. | DESCRIPTION | MATERIAL | FINISH |

| | | | | |
|-----------------|----|--------------|------------|----------|
| DOCUMENT STATUS | P1 | RELEASE DATE | 2020/10/23 | 13:29:09 |
|-----------------|----|--------------|------------|----------|

| | | | | |
|--|---|---------|---------------------------|---|
| FUNCTIONAL SYMBOLS FA=0 FC=0 FE=0 | THIS DRAWING CONTAINS INFORMATION THAT IS PROPRIETARY TO MOLEX ELECTRONIC TECHNOLOGIES, LLC AND SHOULD NOT BE USED WITHOUT WRITTEN PERMISSION | | | |
| | DIMENSION UNITS | SCALE | | CURRENT REV DESC: ITEM# 2 WAS TPE. UPDATED CURRENT & TEMP RATING. ADDED MECH CHAR TABLE & CABLE DIA. MODIFIED MATERIAL TABLE. |
| | INCH/MM | NTS | | |
| | GENERAL TOLERANCES (UNLESS SPECIFIED) | | | |
| | mm | INCH | | |
| DIVISIONAL SYMBOLS | 4 PLACES | ±---- | ±---- | EC NO: 645633 |
| | 3 PLACES | ±---- | ±---- | DRWN: ABENJAMINLW 2020/09/22 |
| | 2 PLACES | ±---- | ±---- | CHK'D: RSTONE 2020/09/29 |
| | 1 PLACE | ±---- | ±---- | APPR: BWOODMAN 2020/10/23 |
| | 0 PLACES | ±---- | ±---- | INITIAL REVISION: |
| | ANGULAR TOL ± ---- ° | | DRWN: TVICKERS 2010/01/14 | DOCUMENT NUMBER |
| | DRAFT WHERE APPLICABLE MUST REMAIN WITHIN DIMENSIONS | | APPR: DTITUS 2010/01/15 | SD-130048-001 |
| | THIRD ANGLE PROJECTION | DRAWING | SERIES | MATERIAL NUMBER |
| | | A-SIZE | 130048 | SEE CHART |
| | | | | CUSTOMER |
| | | | | GENERAL MARKET |
| | | | | SHEET NUMBER |
| | | | | 1 OF 1 |

molex

MICRO-CHANGE CORDSET, M12,
4 POLE, MALE-MALE, STRAIGHT, D-CODED,
24 AWG HIFLEX

PRODUCT CUSTOMER DRAWING

| | | |
|----------|----------|----------|
| DOC TYPE | DOC PART | REVISION |
| PSD | 001 | B |