



ON Semiconductor®

<http://onsemi.com>

LB1909MC

Monolithic Digital IC

Stepping Motor Driver IC

Overview

The LB1909MC is motor driver IC that can operate on a wide supply voltage range (2.5V to 16V). The IC is ideal for use in 2-phase excitation drive of general-purpose 2-phase bipolar stepping motors including dampers for refrigerators.

Features

- Wide supply voltage range : 2.5V to 16V
- Low saturation voltage : $V_{O(sat)} = 0.25V$ typ at $I_O = 200mA$.
- Built-in shoot-through current protection circuit.
- No standby current consumption (or zero).
- Built-in thermal shutdown circuit.
- Small package : SOIC10

Specifications

Absolute Maximum Ratings at $T_a = 25^\circ C$

Parameter	Symbol	Conditions	Ratings	Unit
Maximum power source voltage	V_{CC} max		-0.3 to +20	V
Applied output voltage	V_{OUT} max		-0.3 to +20	V
Applied input voltage	V_{IN} max		-0.3 to +18	V
GND pin outflow current	I_{GND}		800	mA
Allowable power consumption	P_d max	Mounted on the specified board *	820	mW
Operating temperature	T_{opr}		-30 to +85	$^\circ C$
Storage temperature	T_{stg}		-40 to +150	$^\circ C$

* Specified board: 114.3mm × 76.1mm × 1.6mm, glass epoxy board.

Caution 1) Absolute maximum ratings represent the value which cannot be exceeded for any length of time.

Caution 2) Even when the device is used within the range of absolute maximum ratings, as a result of continuous usage under high temperature, high current, high voltage, or drastic temperature change, the reliability of the IC may be degraded. Please contact us for the further details.

Stresses exceeding Maximum Ratings may damage the device. Maximum Ratings are stress ratings only. Functional operation above the Recommended Operating Conditions is not implied. Extended exposure to stresses above the Recommended Operating Conditions may affect device reliability.

LB1909MC

Allowable Operating Range at Ta = 25°C

Parameter	Symbol	Conditions	Ratings	Unit
Supply voltage	V _{CC}		2.5 to 16	V
Input high level voltage	V _{IH}	Pins ENA, IN1, IN2	1.8 to 10	V
Input low level voltage	V _{IL}		-0.3 to +0.7	V

Electrical Characteristics at Ta = 25°C, V_{CC} = 12V

Parameter	Symbol	Conditions	Ratings			Unit
			min	typ	max	
Power source current	I _{CC0}	ENA = L		0.1	10	μA
	I _{CC1}	ENA = H		25	35	mA
Output saturation voltage	V _{OUT1}	I _{OUT} = 200mA		0.25	0.35	V
	V _{OUT2}	I _{OUT} = 400mA		0.50	0.75	V
Input current	I _{IN}	V _{IN} = 5V		120	160	μA
Thermal protection block *1						
Thermal shutdown operation temperature	T _{tSD}	Design guarantee *2		180		°C
Temperature hysteresis width	ΔT _{tSD}			60		°C
Spark killer diode						
Reverse current	I _S (leak)				30	μA
Forward voltage	V _{SF}	I _{OUT} = 400mA			1.7	V

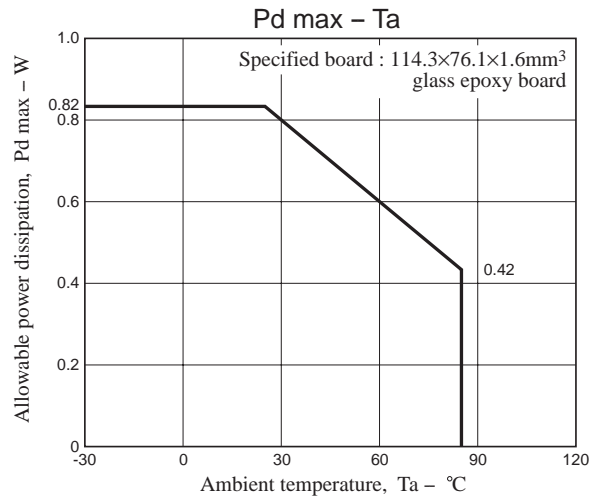
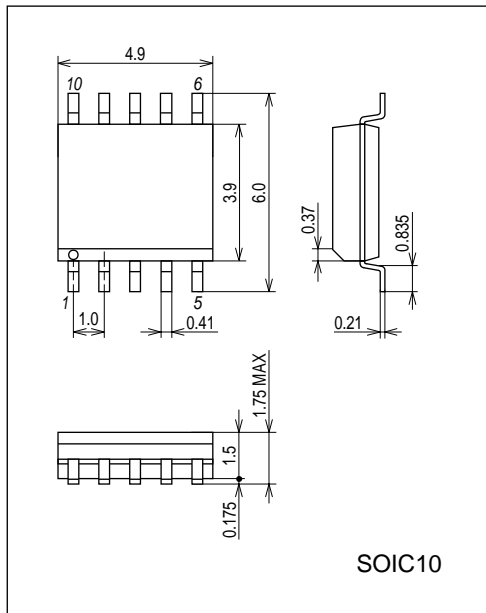
*1 The thermal protection function is a feature to prevent the product from smoking and firing under unusual conditions. It is not intended to guarantee operation of the product under an ambient temperature exceeding the operating temperature range.

*2 Design guarantee is not tested in individual units.

Package Dimensions

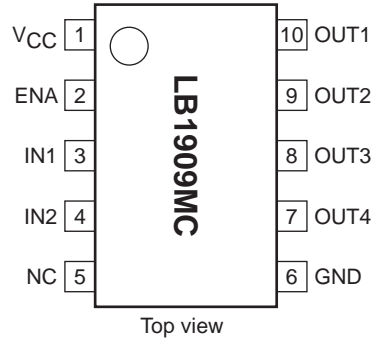
unit : mm (typ)

3426A



LB1909MC

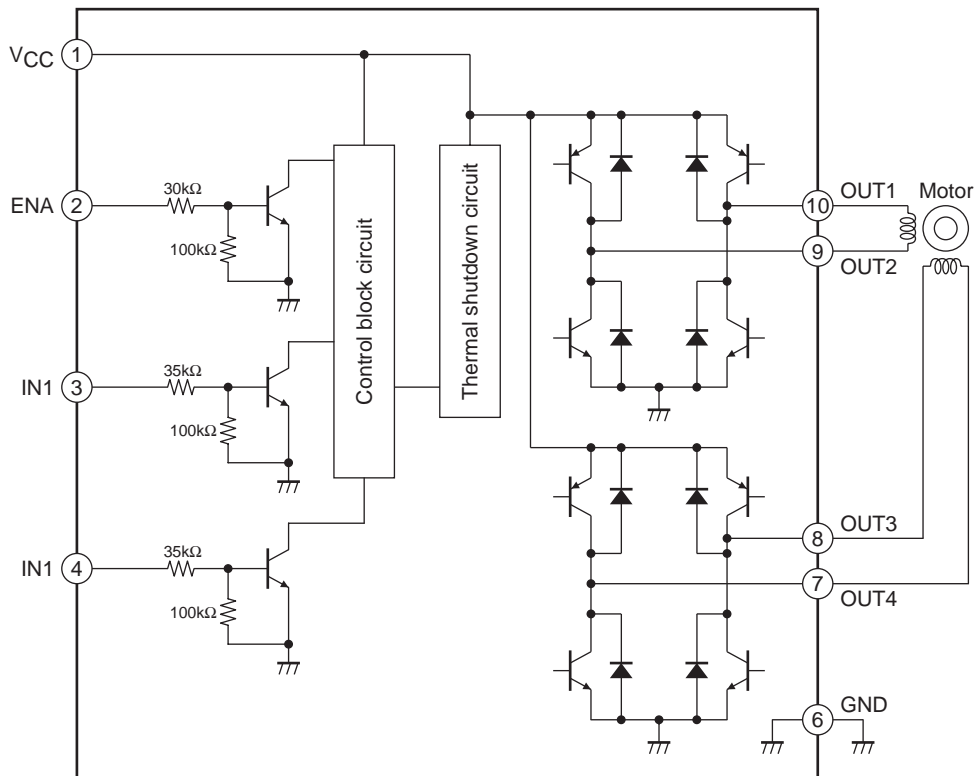
Pin Assignment



Truth table

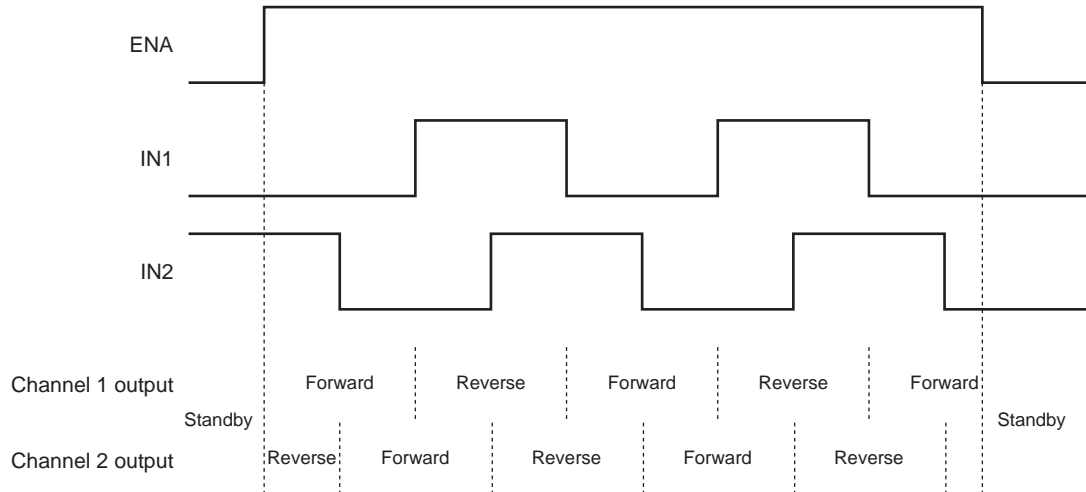
Input			Output				Remarks	
ENA	IN1	IN2	OUT1	OUT2	OUT3	OUT4		
L	x	x	OFF	OFF	OFF	OFF	Standby mode	
H	L		H	L			Channel 1	Forward
	H		L	H				Reverse
		L			H	L	Channel 2	Forward
		H			L	H		Reverse

Block Diagram



LB1909MC

Timing Chart (2 phase excitation drive)



ON Semiconductor and the ON logo are registered trademarks of Semiconductor Components Industries, LLC (SCILLC). SCILLC owns the rights to a number of patents, trademarks, copyrights, trade secrets, and other intellectual property. A listing of SCILLC's product/patent coverage may be accessed at www.onsemi.com/site/pdf/Patent-Marking.pdf. SCILLC reserves the right to make changes without further notice to any products herein. SCILLC makes no warranty, representation or guarantee regarding the suitability of its products for any particular purpose, nor does SCILLC assume any liability arising out of the application or use of any product or circuit, and specifically disclaims any and all liability, including without limitation special, consequential or incidental damages. "Typical" parameters which may be provided in SCILLC data sheets and/or specifications can and do vary in different applications and actual performance may vary over time. All operating parameters, including "Typicals" must be validated for each customer application by customer's technical experts. SCILLC does not convey any license under its patent rights nor the rights of others. SCILLC products are not designed, intended, or authorized for use as components in systems intended for surgical implant into the body, or other applications intended to support or sustain life, or for any other application in which the failure of the SCILLC product could create a situation where personal injury or death may occur. Should Buyer purchase or use SCILLC products for any such unintended or unauthorized application, Buyer shall indemnify and hold SCILLC and its officers, employees, subsidiaries, affiliates, and distributors harmless against all claims, costs, damages, and expenses, and reasonable attorney fees arising out of, directly or indirectly, any claim of personal injury or death associated with such unintended or unauthorized use, even if such claim alleges that SCILLC was negligent regarding the design or manufacture of the part. SCILLC is an Equal Opportunity/Affirmative Action Employer. This literature is subject to all applicable copyright laws and is not for resale in any manner.