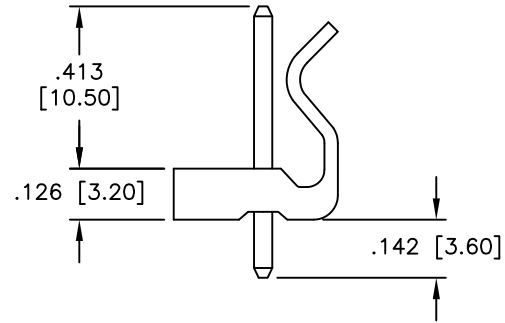
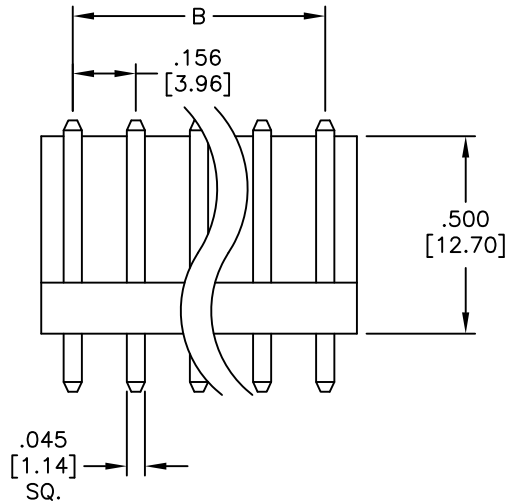
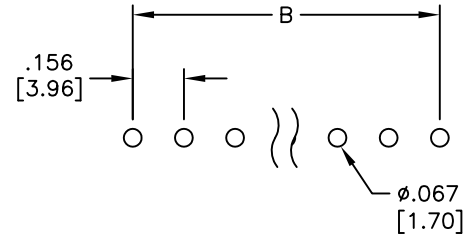
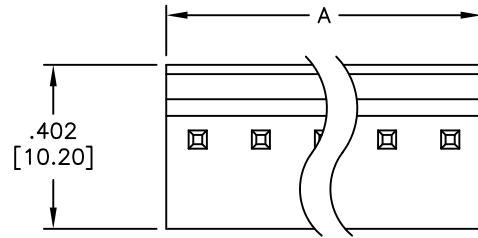


APPROVED: _____
 DATE: _____ TITLE: _____

Rev	AWO #	Description	Date	Appr
-		RELEASED	4/12/05	
A		UPDATED DIM.	11/15/16	HR/MY



SPECIFICATIONS:

Material:
 Insulator: Nylon 66, rated UL 94V-2
 Insulator color: Natural
 Contacts: Brass
 Plating:
 Tin over Copper underplate overall
 Electrical:
A Voltage rating: 250 V AC, DC
 Current rating: 5 A AC, DC
 Insulation resistance: 1000Mohms min.
 Dielectric withstanding voltage: 1500 VAC for 1 minute
 Temperature Rating:
 Operating temperature: -25°C to +85°C
 Environmental:
 Lead free, RoHS compliant.



Positions: 2 thru 20

A = .156 [3.96] x No. of Positions

B = .156 [3.96] x No. of Spaces

UNLESS OTHERWISE SPECIFIED
 ALL DIMENSIONS ARE INCHES [MM]
 TOLERANCES: EXCEPT AS NOTED

INCHES		HOLES	
.X	± .10	∅X	± .10
.XX	± .020	∅XX	± .015
.XXX	± .015	∅XXX	± .010

ADAM TECH

909 Rahway Avenue, Union, NJ 07083
 Phone: 908-687-5000 Fax: 908-687-5710

TITLE
**.156 [3.96] POWER HEADER
 STRAIGHT, WITH LOCK POLARIZER**

APPROVALS		DATE
DRAWN	SS	4/12/05
CHECKED		
APPROVED		

SIZE	PART NO.	REV.
X	LHB-XX-SA1	A
REF: S00016T	SCALE: NTS	SHEET 1 OF 1