

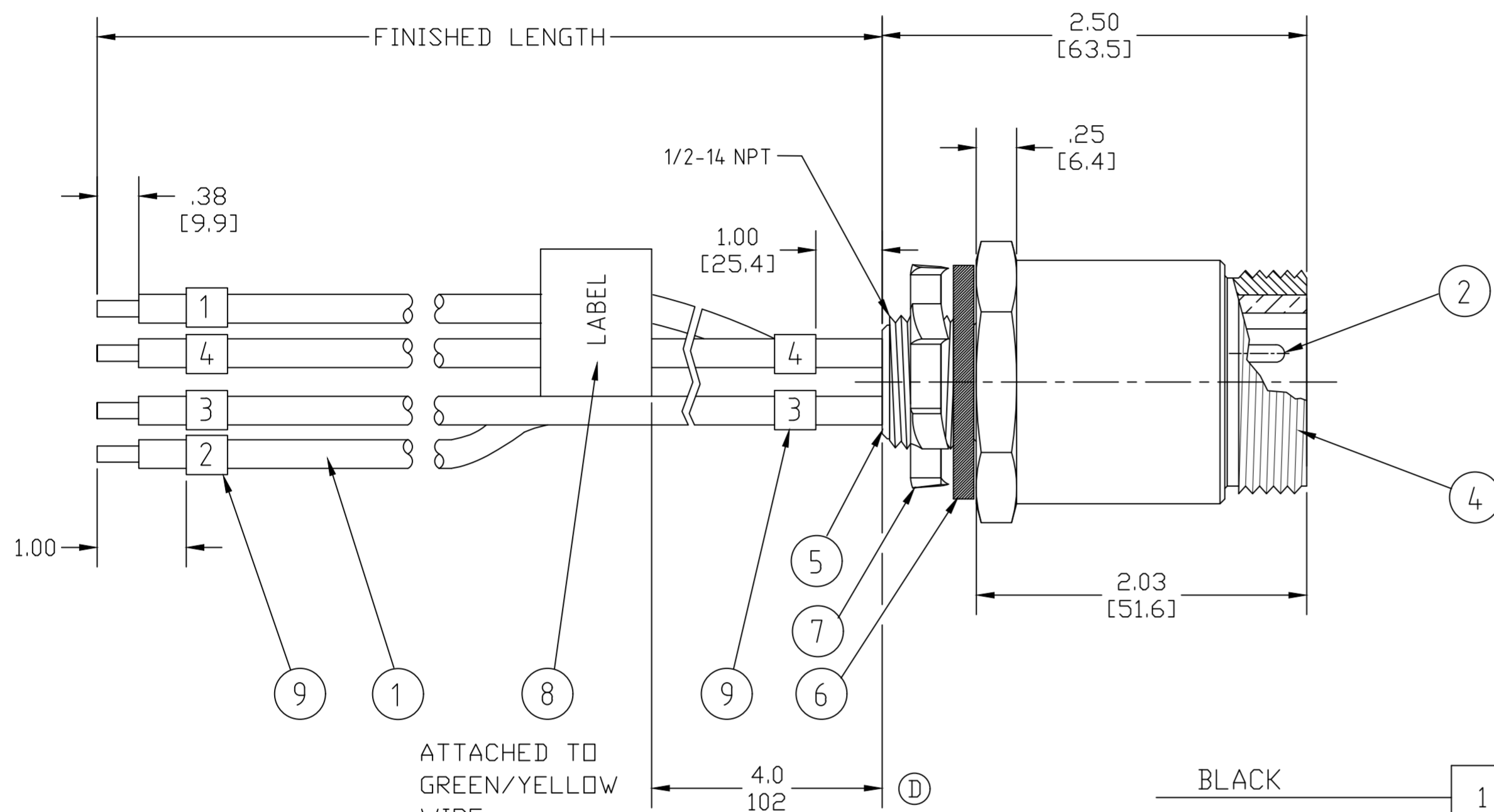
MATERIAL NUMBER	ENGINEERING NUMBER	FINISHED LENGTH
1300660232	CR4006A76M010	1M (3' 3")
1300660233	CR4006A76M020	2M (6' 7")
1300660234	CR4006A76M030	3m (9' 10")
1300660236	CR4006A76M005	0.5m (1' 8")

① PART NUMBER LEGEND  
**CR4006A76M010**

LENGTH  
M005 = 0.5 METER  
M010 = 1 METER  
M100 = 10 METER

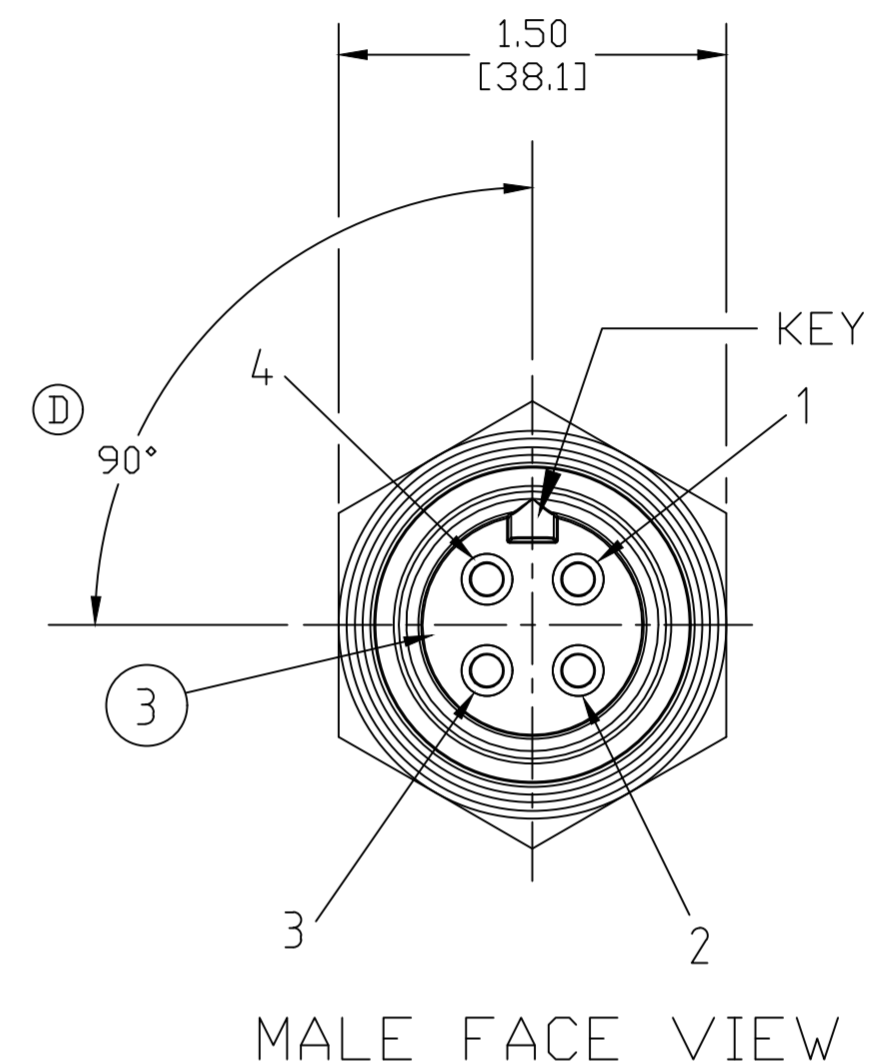
CABLE LENGTH TOLERANCES

<.3M [1FT]	+19mm-0 [+0.75in-0]
.3 - .9M [1 - 3FT]	+44.5mm-0 [+1.75in-0]
.9 - 1.8M [3 - 6FT]	+55.6mm-0 [+2.19in-0]
1.8 - 3.7M [6 - 12FT]	+88.9mm-0 [+3.50in-0]
3.7 - 7.3M [12 - 24FT]	+165.1mm-0 [+6.50in-0]
7.3-14.6M [24 - 48FT]	+317.5mm-0 [+12.50in-0]
14.6 - 30.5M [48-100FT]	+622.3mm-0 [+24.50in-0]
OVER 30M [100FT]	+2% OF FINISHED LENGTH



BLACK	1
GREEN-YELLOW	2
BLACK	3
BLACK	4

① WIRING DIAGRAM

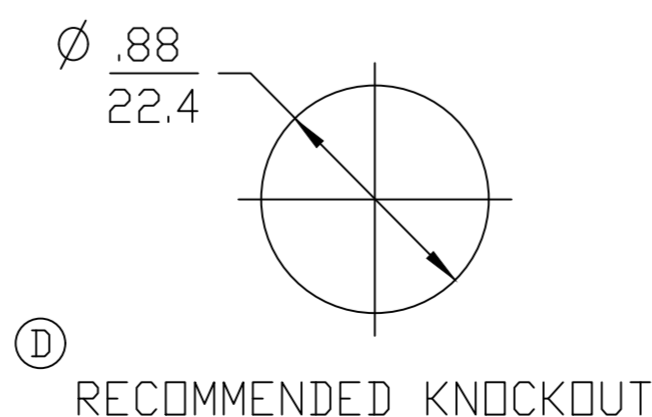


MALE FACE VIEW

NOTES:

1. MATERIAL: AS NOTED
2. FINISH: AS NOTED
3. ELECTRICAL:  
VOLTAGE: 4P: 500V PER IEC60664  
600V PER UL2237  
CURRENT: 32A
4. TEMP RATING: -20°TO +90°C
5. PROTECTION: IP67 (WHEN MATED)
6. COUPLING THREAD: 1 3/8-16 UN
7. UL LISTED FILE: E258922
8. ALL DIMS ARE FOR REFERENCE UNLESS NOTED OR TOLERANCED OTHERWISE

9	WIRE IDENTIFIER LABEL	VINYL	BLACK ON WHITE
8	FLAG LABEL	VINYL	YELLOW
7	1/2-14 NPT LOCKNUT	STEEL	ZINC PLATE
6	GASKET	NEOPRENE	BLACK
5	POTTING	EPOXY	BLACK
4	RECEPTACLE SHELL	ALUMINUM	ANODIZED
3	MALE INSERT	TPE	BLACK
2	CONTACT PIN	COPPER ALLOY	GOLD PLATED
1	#10-1 WIRE UL1015	PVC JACKET	SEE FACE VIEW
ITEM	DESCRIPTION	MATERIAL	FINISH



FUNCTIONAL SYMBOLS									
FA=0	FC=0	FP=0	THIS DRAWING CONTAINS INFORMATION THAT IS PROPRIETARY TO MOLEX ELECTRONIC TECHNOLOGIES, LLC AND SHOULD NOT BE USED WITHOUT WRITTEN PERMISSION						
DIMENSION UNITS		SCALE		CURRENT REV DESC: LABEL DIM WAS 7.00, ADD 90 DEG FOR KEY, WIRE DIAGRAM & KNOCKOUT HOLE, UPDATE BORDER ADD P/N LEGEND					
INCH/MM		1:1		EC NO: 646752					
GENERAL TOLERANCES (UNLESS SPECIFIED)				DRWN: RSTONE		2020/10/07			
4 PLACES ±----				CHK'D: CCHRSTKA		2020/10/09			
3 PLACES ±----				APPR: BWOODMAN		2020/10/12			
2 PLACES ±----				INITIAL REVISION:					
1 PLACE ±----				DRWN: MODELL		2008/04/28			
0 PLACES ±----				APPR: JFMURPHY		2008/05/22			
ANGULAR TOL ± ---- °				THIRD ANGLE PROJECTION		DRAWING		SERIES	
DRAFT WHERE APPLICABLE MUST REMAIN WITHIN DIMENSIONS				C-SIZE		130066		MATERIAL NUMBER	
				SEE P/N LEGEND		CUSTOMER		SHEET NUMBER	
						GM		1 OF 1	

<b>molex</b>			
BRAD POWER RECEPTACLE			
QC, MALE, 4 POLE, SINGLE KEY, 10AWG			
PRODUCT CUSTOMER DRAWING			
DOCUMENT NUMBER		DOC TYPE/DOC PART/REVISION	
SD-130066-006		PSD 001 D	