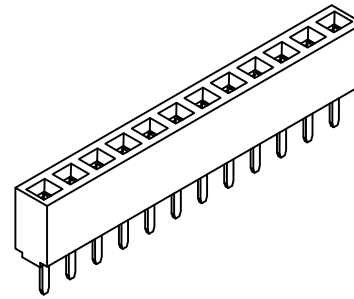
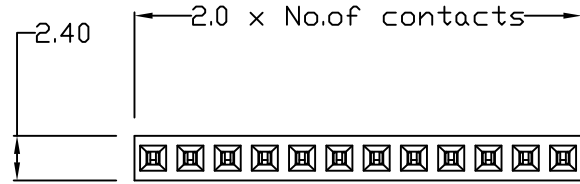


Description: 2mm Single Row Receptacle

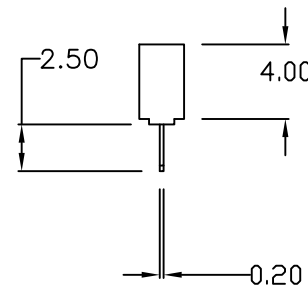
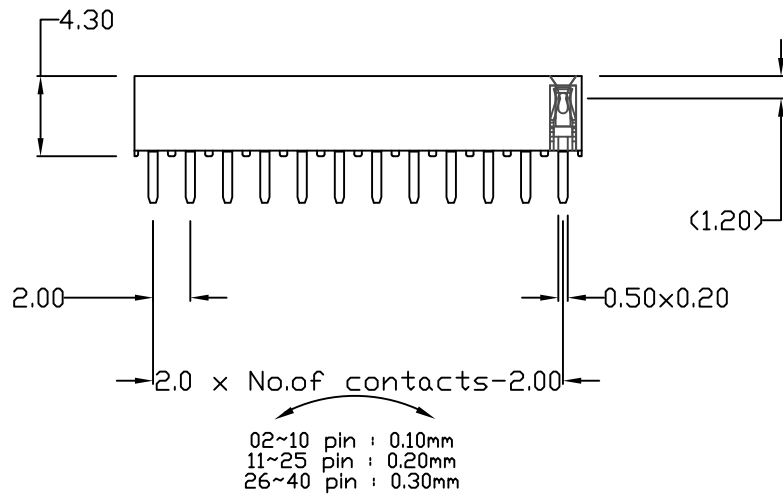


Material:

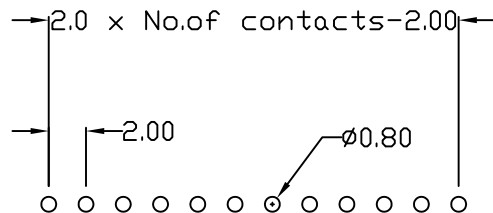
Insulator: Nylon-6T, Black, UL 94V-0
 Process Temperature: 260°C for 10 seconds
 Contact: Phosphor Bronze

Electrical:

Current Rating: 2 Amps
 Contact Resistance: 20 mOhms Max.
 Insulation Resistance: 5000 MOhms Min.
 Working Voltage: 250V
 Temperature: -40° C TO +105° C



Recommended P.C. Board
 Hole Layout



Units = mm

Tolerance
 .X ±0.3
 .XX ±0.20
 .XXX ±0.100

2 5 6 3 Y Y 0 1 R P 2

Series

2563 = Single Row

Position

Single - Increments of 1
 (02 to 40)

Type

01 = Straight

Plating Options

P2 = Gold Flash



THESE DRAWINGS AND SPECIFICATIONS ARE THE PROPERTY OF NorComp AND SHALL NOT BE REPRODUCED, COPIED OR USED AS THE BASIS FOR THE MANUFACTURE OF SALE OF APPARATUS WITHOUT WRITTEN PERMISSION.

NorComp

DRAWN: PAM JENKINS

DATE: 1-30-06

SCALE: NTS SHEET 1 OF 1 REV 3

DWG NO. 2563YY01RP2