

VALVE-REGULATED LEAD ACID BATTERIES: INDIVIDUAL DATA SHEET

LC-R0612P



Photo/Label for reference only.

Specifications

Nominal Voltage		6V
Rated Capacity (20 hour rate)		12.0Ah
Dimensions	Length	5.945 inches (151.0 mm)
	Width	1.969 inches (50.0 mm)
	Height	3.702 inches (94.0 mm)
	Total Height*	3.937 inches (100.0 mm)
Approx. mass		4.30 lbs. (1.95 kg)
Standard Terminals and Resin	UL94HB Faston 187	LC-R0612P
	UL94HB Faston 250	LC-R0612P1

* The total height with #250 terminal is 101.5mm.

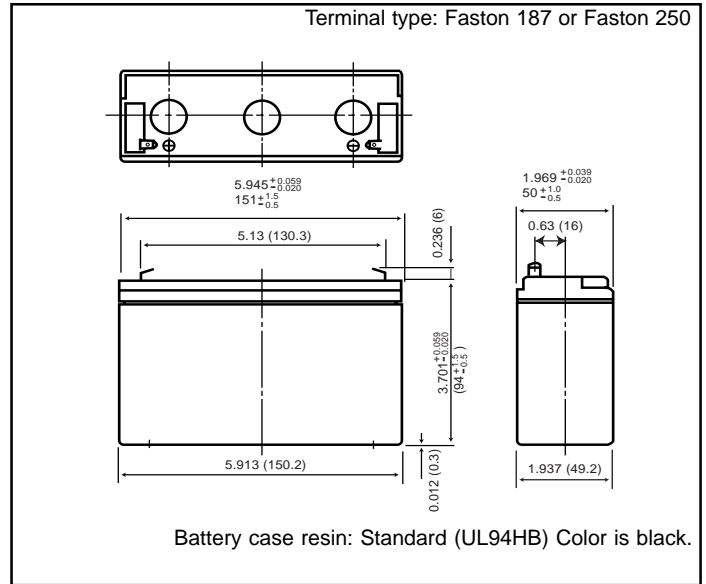
Characteristics

Capacity (note) 77°F (25°C)	20 hour rate (360mA)	12Ah	
	10 hour rate (680mA)	11.3Ah	
	5 hour rate (1260mA)	10.4Ah	
	1 hour rate (4900mA)	8.1Ah	
	1.5 hour rate discharge Cut-off voltage 5.25 V	5.8A	
Internal Resistance	Fully charged battery 77°F (25°C)	Approx. 15mΩ	
Temperature dependency of capacity (20 hour rate)	104°F (40°C)	102%	
	77°F (25°C)	100%	
	32°F (0°C)	85%	
	5°F (-15°C)	65%	
Self discharge 77°F (25°C)	Residual capacity after standing 3 months	91%	
	Residual capacity after standing 6 months	82%	
	Residual capacity after standing 12 months	64%	
Charge Method (Constant Voltage)	Cycle use (Repeating use)	Initial current	4.8 A or smaller
		Control voltage	7.25V to 7.45V (per 6V cell 25°C)
	Trickle use	Initial current	1.8 A or smaller
		Control voltage	6.8V to 6.9V (per 6V cell 25°C)

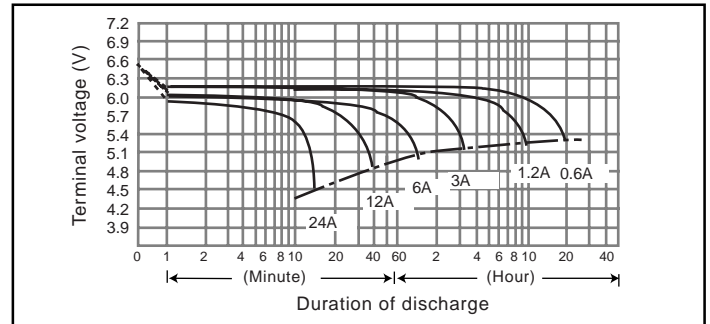
(Note) The above characteristics data are average values obtained within three charge/discharge. Cycles not the minimum values.

For main and standby power supplies.
Expected trickle life: 3-5 years at 25°C, Approx. 5 years at 20°C.

Dimensions (mm)



Discharge characteristics 77°F (25°C) (Note)



Duration of discharge vs. Discharge current (Note)

