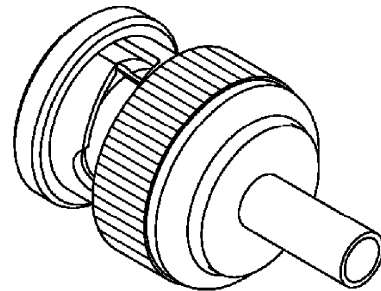
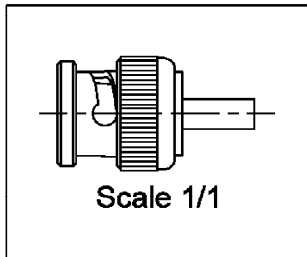
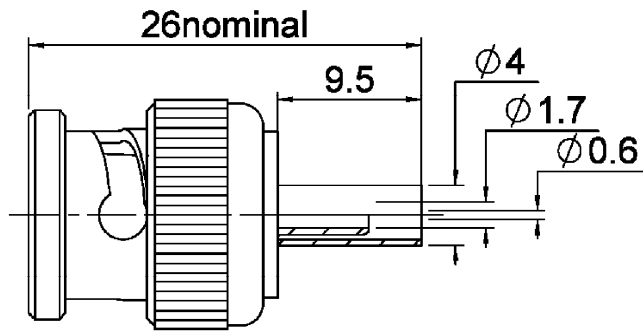


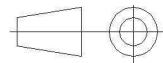
STRAIGHT PLUG CRIMP TYPE
FOR CABLE 2.6/50

R141A.075.161

Series : ECO BNC 50



All dimensions are in mm.



COMPONENTS	MATERIALS	PLATING (μm)
BODY	BRASS	NICKEL
CENTER CONTACT	BRASS	GOLD
OUTER CONTACT		
INSULATOR	PTFE	
GASKET		
OTHERS PARTS	BRASS	NICKEL
-	-	-
-	-	-

Issue : 1003 B

In the effort to improve our products, we reserve the right to make changes judged to be necessary.



STRAIGHT PLUG CRIMP TYPE

FOR CABLE 2.6/50

R141A.075.161

Series : **ECO BNC 50**

PACKAGING

Standard	Unit	Other
100	'W' option	Contact us

SPECIFICATION

ELECTRICAL CHARACTERISTICS

Impedance		50 Ω
Frequency		0-1 GHz
VSWR	1.3 +	0,0000 x F(GHz) Maxi
Insertion loss		0.2 √F(GHz) dB Maxi
RF leakage	- (NA - F(GHz)) dB Maxi
Voltage rating		500 Veff Maxi
Dielectric withstanding voltage		1000 Veff mini
Insulation resistance		5000 MΩ mini

CABLE ASSEMBLY

Stripping	a	b	c	d	e	f
mm	3,00	6,50	11,3	0,00	8,30	0,00

Assembly instruction : **Crimp 01**

Recommended cable(s)desnor
KX 22A
RG 316
RG 188

repere

Characteristics indicated on this data sheet are those that can be achieved with the highest performance cable. Intrinsic limitations of the cable may diminish the performance of the assembly

Cable retention

- pull off **40** N mini
- torque **NA** N.cm

MECHANICAL CHARACTERISTICS

Center contact retention		
Axial force – Mating end	27	N mini
Axial force – Opposite end	27	N mini
Torque	NA	N.cm mini

TOOLING

Part Number	Description	Hexagon
.	.	.
R282.293.000	CRIMPING TOOL M22520/5-01	
R282.235.900		3.51

Recommended torque		
Mating	NA	N.cm
Panel nut	NA	N.cm
Clamp nut	NA	N.cm
A/F clamp nut	0,0000	mm

Mating life	100	Cycles mini
Weight	10,0000	g

OTHER CHARACTERISTICS

ENVIRONMENTAL

Operating temperature	-40/+85	° C
Hermetic seal	NA	Atm.cm3/s
Panel leakage	NA	

Issue : 1003 B

In the effort to improve our products, we reserve the right to make changes judged to be necessary.



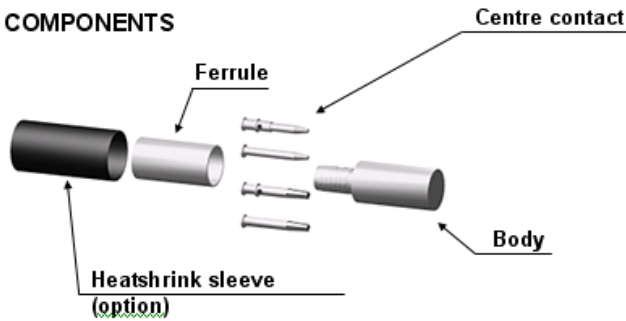
STRAIGHT PLUG CRIMP TYPE
FOR CABLE 2.6/50

R141A.075.161

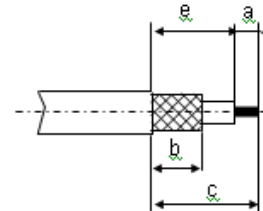
Series : ECO BNC 50

Crimp 01 : Soldered contact

COMPONENTS

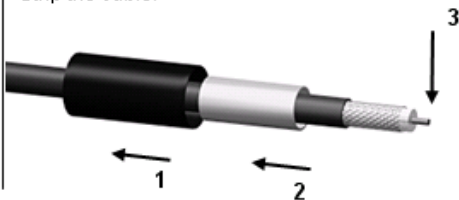


STRIPPING DIMENSIONS



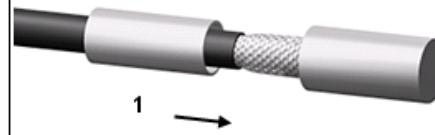
1

Slide the heatshrink sleeve onto the cable (Option).
 Slide the ferrule onto the cable.
 Strip the cable.



4

Slide the cable into the body until it bottoms against the insulator.



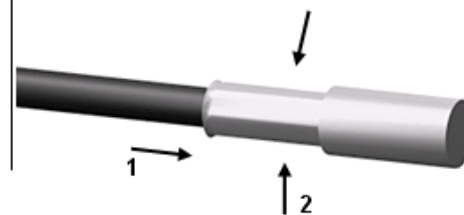
2

Slide the centre contact on until it bottoms against the cable dielectric.
 Solder the centre contact.
 Clean solder area.



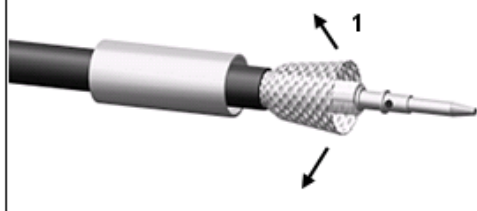
5

Slide the ferrule over the braid.
 Crimp the ferrule with crimping tool (see connector TDS).



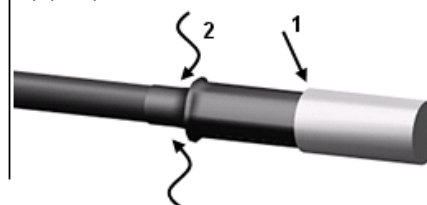
3

Fan the braid.



6

Cut the excess of braid if necessary.
 Slide the sleeve over the ferrule and heatshrink it in place (Option).



Issue : 1003 B

In the effort to improve our products, we reserve the right to make changes judged to be necessary.

