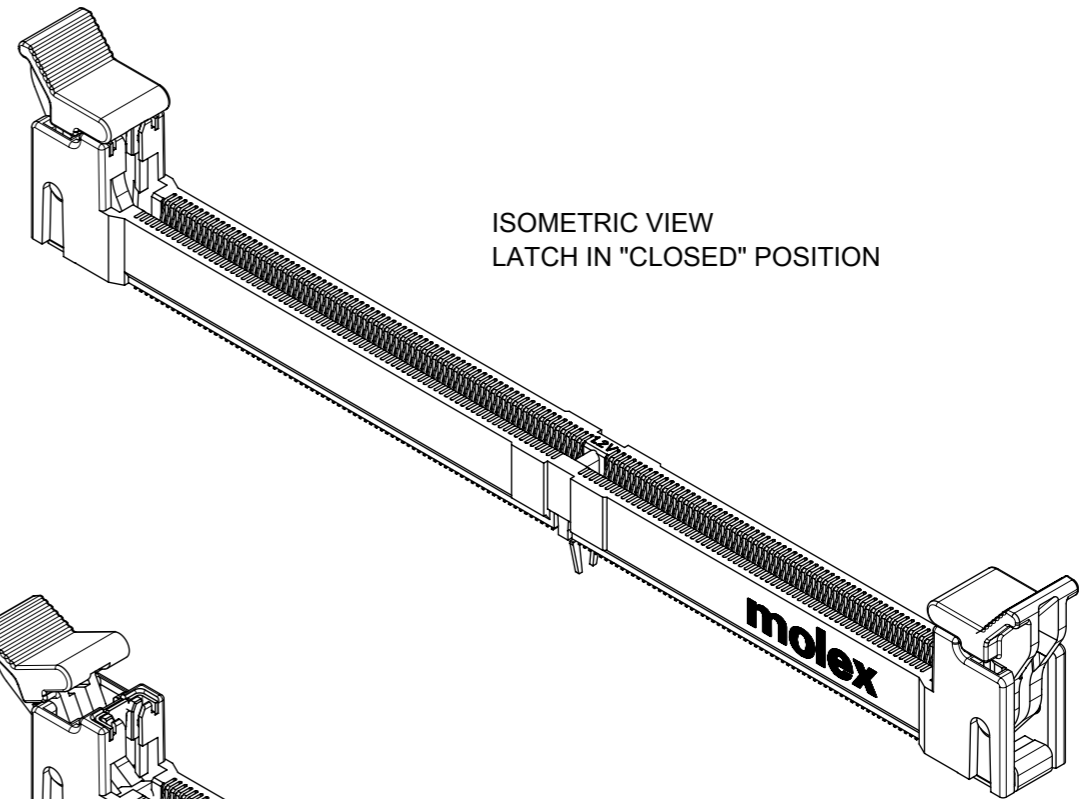
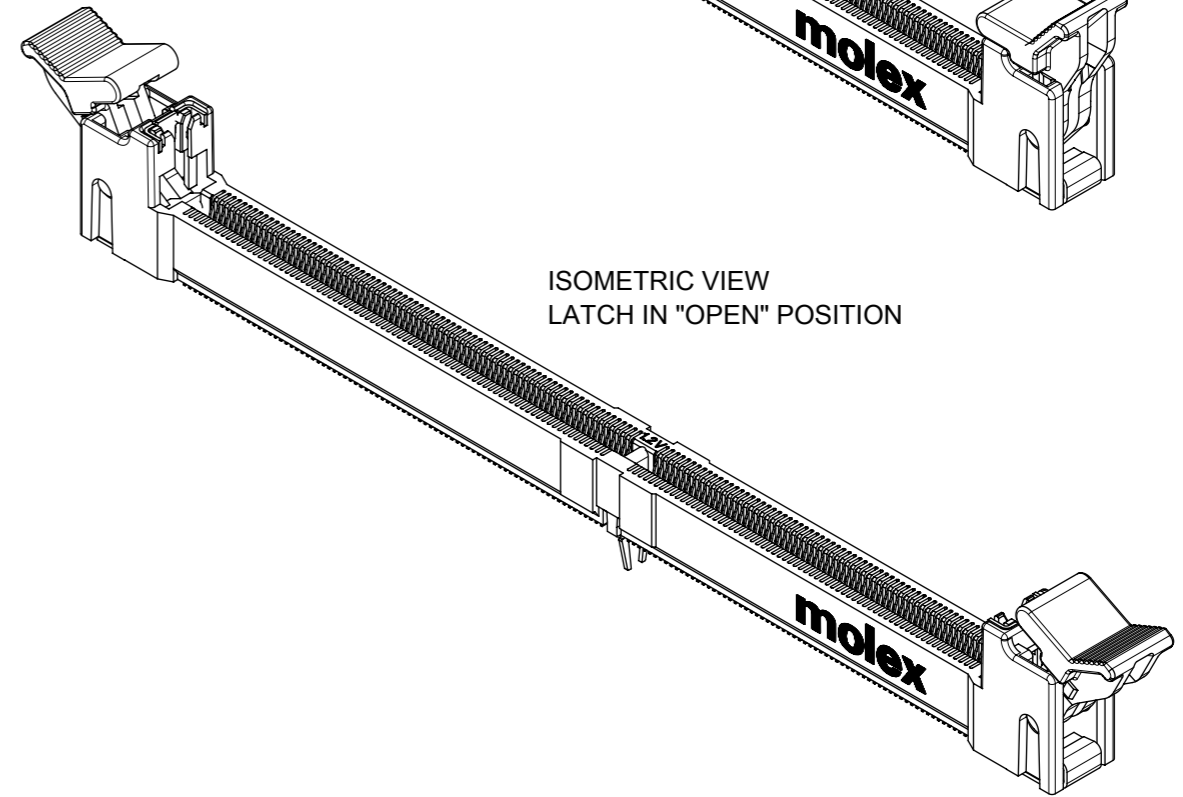


NOTES:

1. MATERIALS
 HOUSING - LIQUID CRYSTAL POLYMER (LCP), GLASS FILLED, UL94 V-0;
 COLOR: BLACK
 LATCH - POLYAMIDE (PA), GLASS FILLED, UL94 V-0;
 COLOR: NATURAL (OFF-WHITE)
 TERMINAL - COPPER ALLOY
 PCB HOLD-DOWN FEATURES - COPPER ALLOY
2. FINISHES
 CONTACT AREA - 0.76 MICROMETER (30 MICROINCH) MINIMUM GOLD OVER
 1.25 MICROMETER (50 MICROINCH) MINIMUM NICKEL
 SMT TAIL - 2.54 MICROMETER (100 MICROINCH) MINIMUM TIN OVER
 1.25 MICROMETER (50 MICROINCH) MINIMUM NICKEL
 PCB HOLD-DOWN FEATURES - 2.54 MICROMETER (100 MICROINCH) MINIMUM TIN OVER
 1.25 MICROMETER (50 MICROINCH) MINIMUM NICKEL
3. PRODUCT SPECIFICATION: SEE TABLE
4. PACKAGING SPECIFICATION: SEE TABLE
5. CARD SLOT ACCEPTS 1.40±0.10mm MODULE THICKNESS
 (MEASURED OVER P.C. PADS).
6. MOLEX LOGO, DATE & PART NO. INDICATED ON SIDE OF HOUSING
7. MODULE SEATING PLANE FROM TOP OF PCB.
8. KEEP-OUT ZONE FOR LATCH
9. KEEP-OUT AREA IS THE AREA WHERE THE CONNECTOR IS MOUNTED
 ONTO THE PCB (INCLUDING LATCH IN THE OPEN POSITION).
10. CONNECTOR APPLICATION GUIDELINE: AS-151105-0002.
11. PCB ROUTING RECOMMENDATION: AS-151105-0001.



ISOMETRIC VIEW
LATCH IN "CLOSED" POSITION

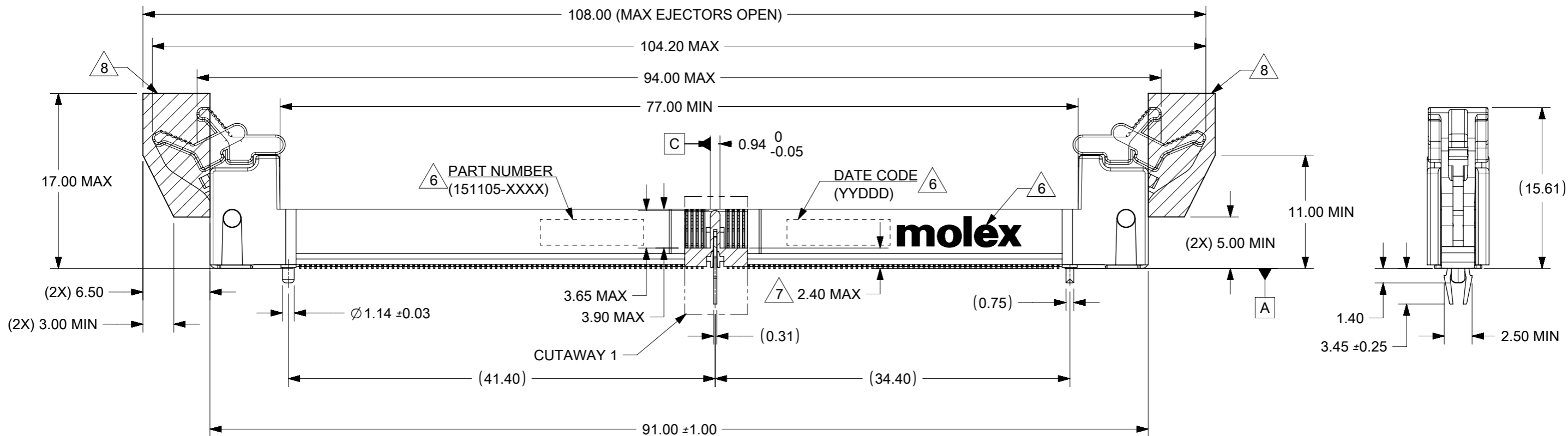
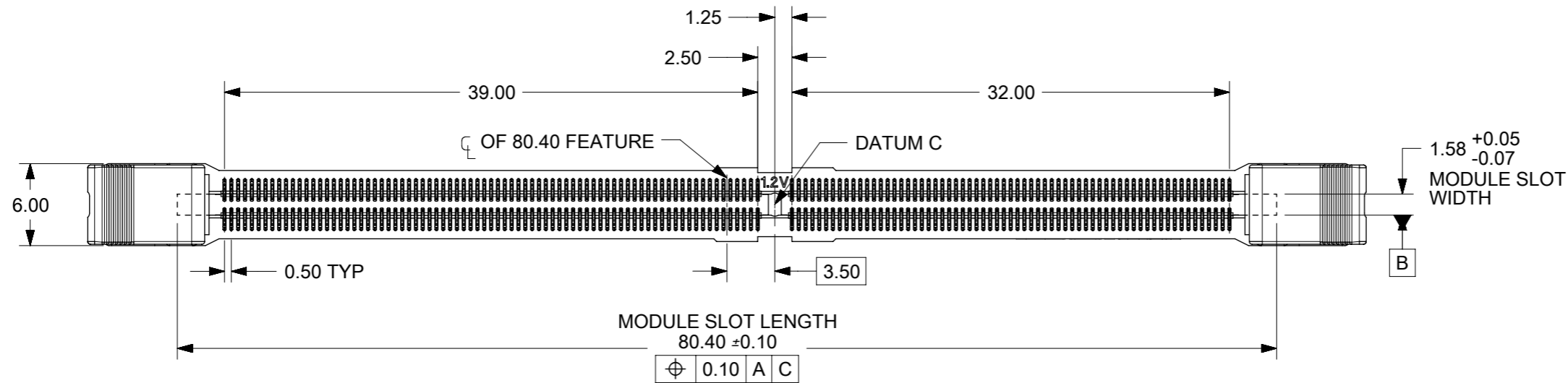


ISOMETRIC VIEW
LATCH IN "OPEN" POSITION

THIS DRAWING CONTAINS INFORMATION THAT IS PROPRIETARY TO MOLEX ELECTRONIC TECHNOLOGIES, LLC AND SHOULD NOT BE USED WITHOUT WRITTEN PERMISSION

HOUSING MODIFIED	2017/11/01	GENERAL TOLERANCES (UNLESS SPECIFIED)	DIMENSION UNITS	SCALE	molex®				
	2018/01/25		mm	NTS					
	2018/02/09		ANGULAR TOL ± 3.0 °	DRWN BY	DATE	DDR4 MINI DIMM, 0.50MM VERTICAL SMT 288CKTS			
			4 PLACES ±	JAKEEMEW	2014/12/16				
			3 PLACES ±	CHK'D BY	DATE	PRODUCT CUSTOMER DRAWING			
			2 PLACES ± 0.2	CCTEH	2015/05/29				
	1 PLACE ±	APPR BY	DATE	SERIES	MATERIAL NUMBER	CUSTOMER			
	0 PLACES ±	SHLENI	2015/06/08	151105	SEE TABLE	GENERAL MARKET			
EC NO: 167494	DRWN: JAKEEMEW		DRAWING SIZE	THIRD ANGLE PROJECTION	DOCUMENT NUMBER				
REV	CHK'D: CCTEH		A3		SD-151105-0001		DOC TYPE	DOC PART	SHEET NUMBER
B1	APPR: SHLENI	DRAFT WHERE APPLICABLE MUST REMAIN WITHIN DIMENSIONS					PSD	000	1 OF 7

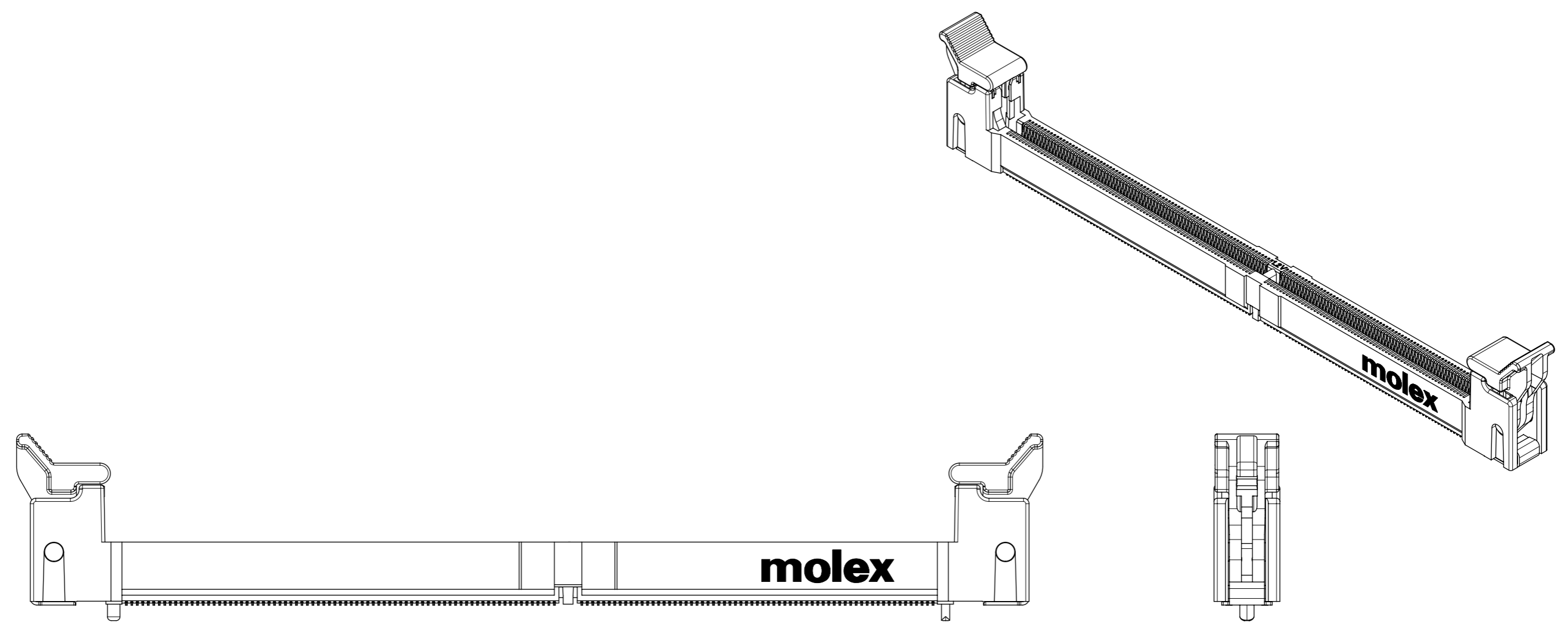
RELEASE STATUS	RELEASE DATE
----------------	--------------



THIS DRAWING CONTAINS INFORMATION THAT IS PROPRIETARY TO MOLEX ELECTRONIC TECHNOLOGIES, LLC AND SHOULD NOT BE USED WITHOUT WRITTEN PERMISSION

HOUSING MODIFIED EC NO: 167494 DRWN: JAKEEMEW CHK'D: CCTEH APPR: SHLENI	2017/11/01	GENERAL TOLERANCES (UNLESS SPECIFIED)		DIMENSION UNITS	SCALE				
	2018/01/25	ANGULAR TOL ± 3.0 °		mm	NTS				
	2018/02/09	4 PLACES	±	DRWN BY	DATE	DDR4 MINI DIMM, 0.50MM VERTICAL SMT 288CKTS			
		3 PLACES	±	JAKEEMEW	2014/12/16				
		2 PLACES	± 0.2	CHK'D BY	DATE				
	1 PLACE	±	CCTEH	2015/05/29	PRODUCT CUSTOMER DRAWING				
	0 PLACES	±	SHLENI	2015/06/08	SERIES	MATERIAL NUMBER	CUSTOMER		
			DRAFT WHERE APPLICABLE MUST REMAIN WITHIN DIMENSIONS	DRAWING SIZE	THIRD ANGLE PROJECTION	151105	SEE TABLE	GENERAL MARKET	
				A3		DOCUMENT NUMBER	DOC TYPE	DOC PART	SHEET NUMBER
						SD-151105-0001	PSD	000	2 OF 7

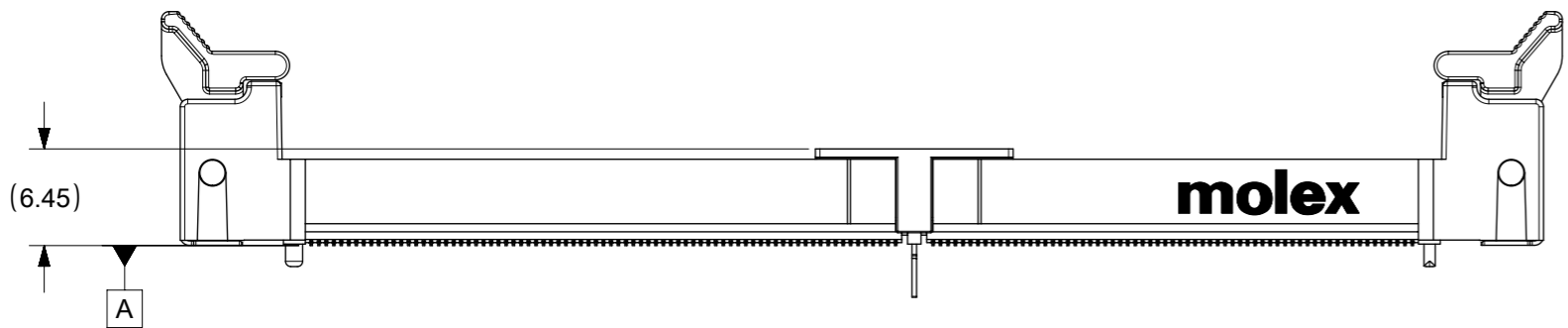
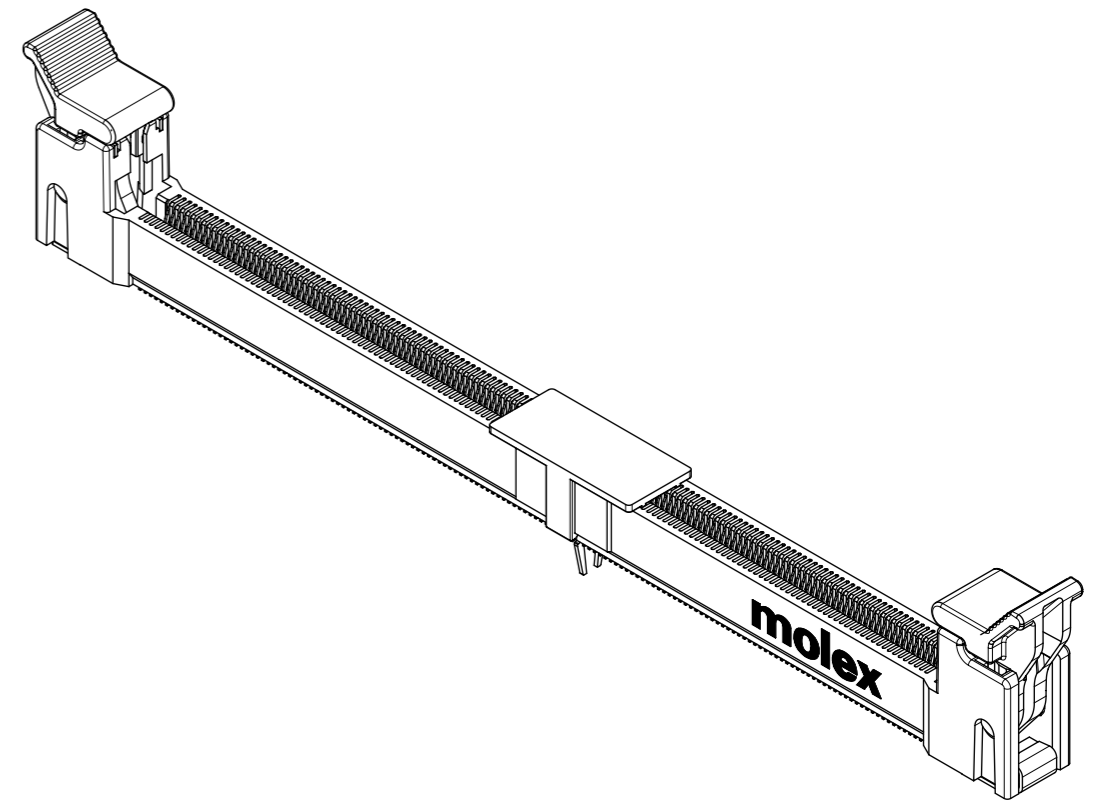
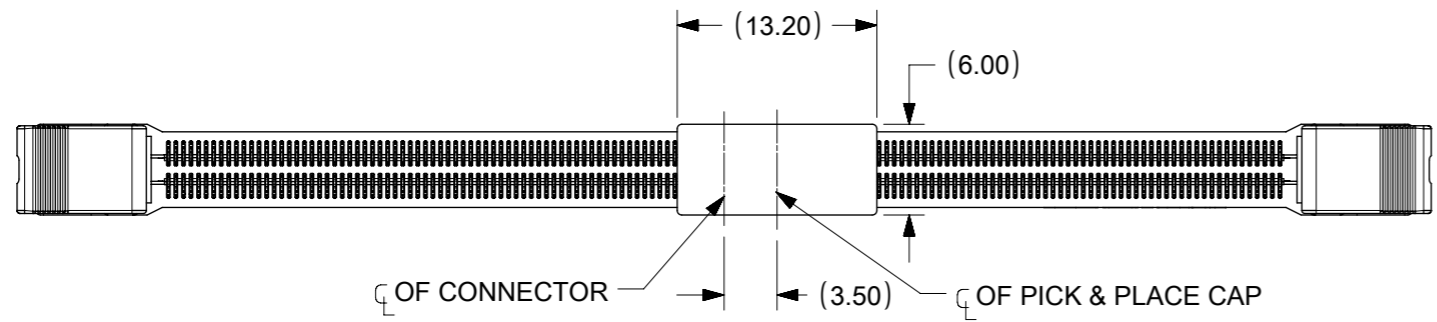
CONNECTOR WITHOUT CENTER PCB HOLD-DOWN FEATURE



THIS DRAWING CONTAINS INFORMATION THAT IS PROPRIETARY TO MOLEX ELECTRONIC TECHNOLOGIES, LLC AND SHOULD NOT BE USED WITHOUT WRITTEN PERMISSION

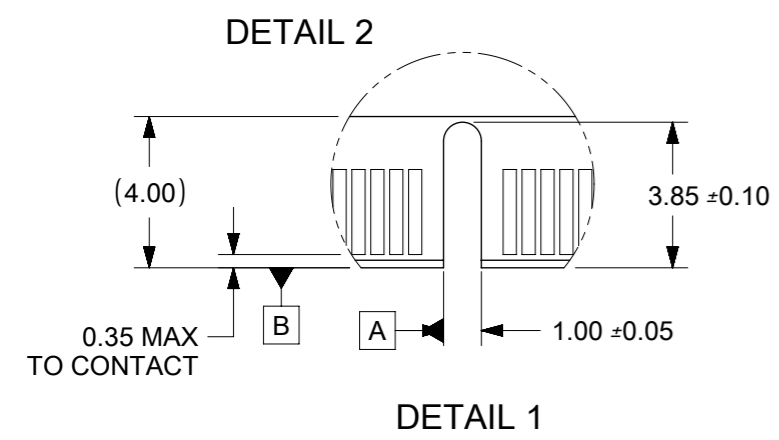
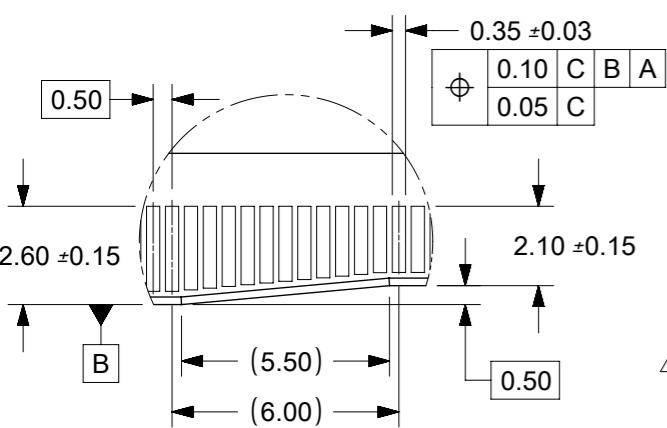
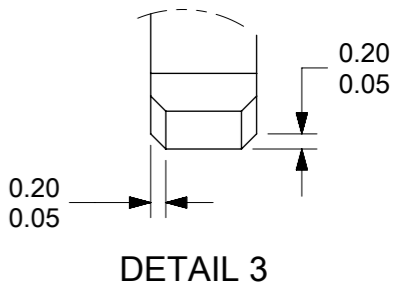
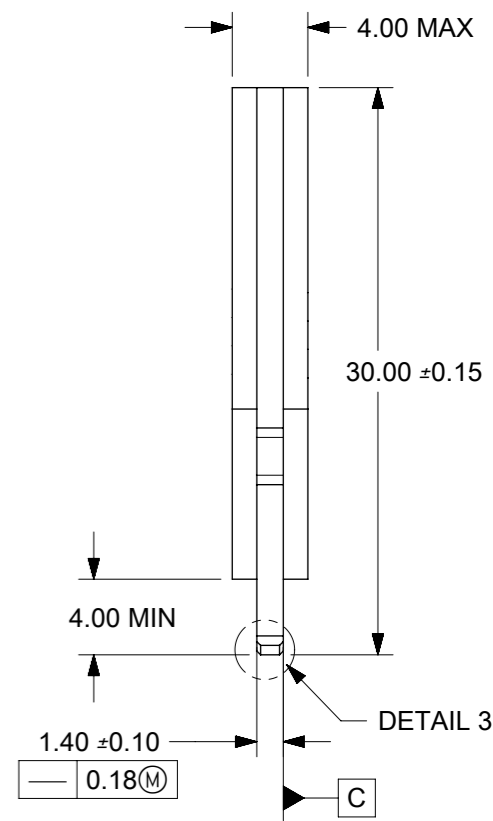
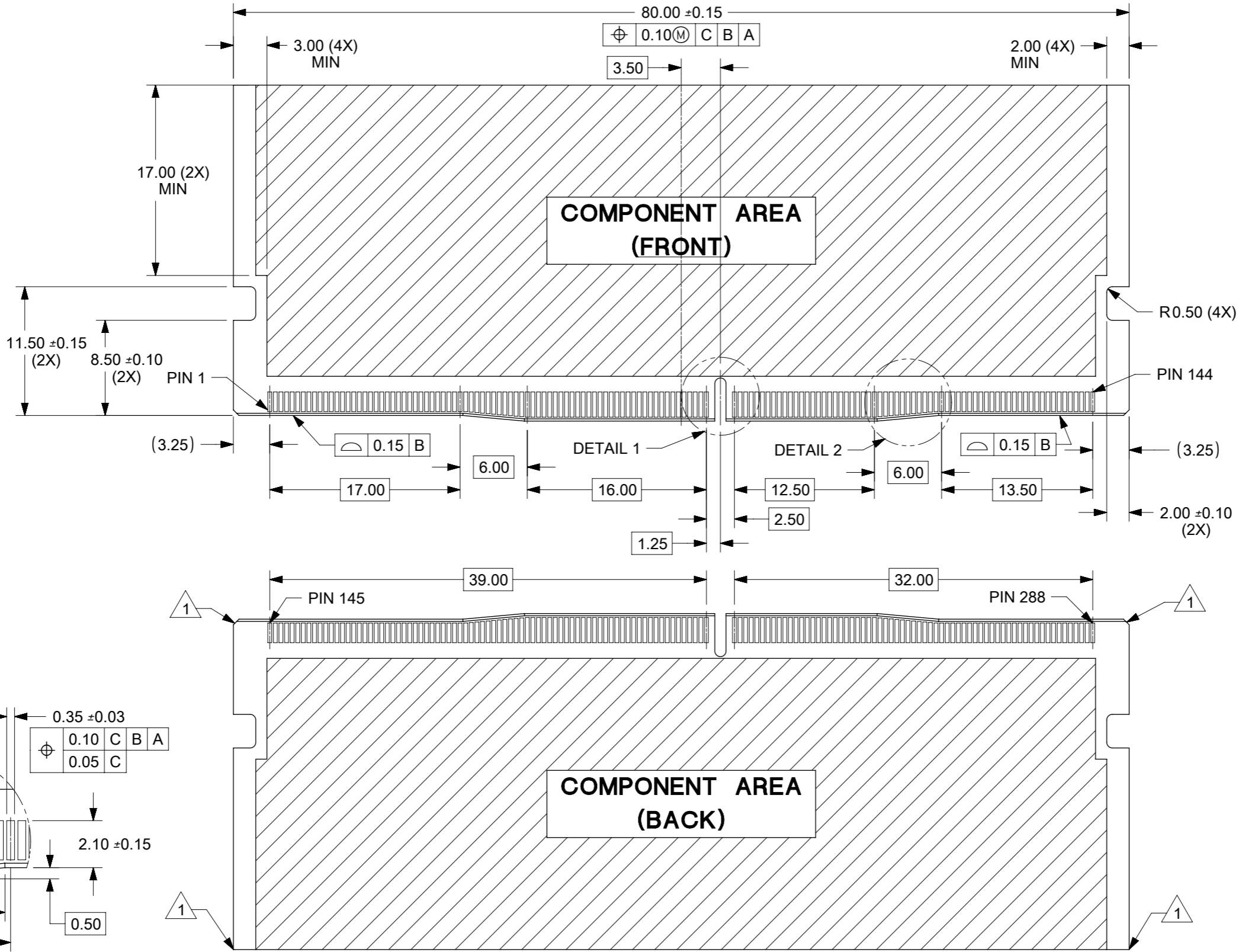
HOUSING MODIFIED	EC NO: 167494	DRWN: JAKEEMEW	2017/11/01	2018/01/25	2018/02/09	GENERAL TOLERANCES (UNLESS SPECIFIED)	DIMENSION UNITS	SCALE	<p>DDR4 MINI DIMM, 0.50MM VERTICAL SMT 288CKTS</p> <p>PRODUCT CUSTOMER DRAWING</p>				
	B1	REV	CHK'D: CCTEH				ANGULAR TOL ± 3.0 °	mm		NTS			
				4 PLACES	±		DRWN BY	DATE		JAKEEMEW	2014/12/16		
				3 PLACES	±		CHK'D BY	DATE		CCTEH	2015/05/29		
				2 PLACES	±	0.2	APPR BY	DATE		SHLENI	2015/06/08		
				1 PLACE	±		DRAWING SIZE	THIRD ANGLE PROJECTION		A3			
			0 PLACES	±		DRAFT WHERE APPLICABLE MUST REMAIN WITHIN DIMENSIONS							
RELEASE STATUS	P1	RELEASE DATE	2018/02/09	10:38:07						SERIES	MATERIAL NUMBER	CUSTOMER	
										151105	SEE TABLE	GENERAL MARKET	
										DOCUMENT NUMBER	DOC TYPE	DOC PART	SHEET NUMBER
										SD-151105-0001	PSD	000	3 OF 7

CONNECTOR WITH PICK & PLACE CAP



THIS DRAWING CONTAINS INFORMATION THAT IS PROPRIETARY TO MOLEX ELECTRONIC TECHNOLOGIES, LLC AND SHOULD NOT BE USED WITHOUT WRITTEN PERMISSION

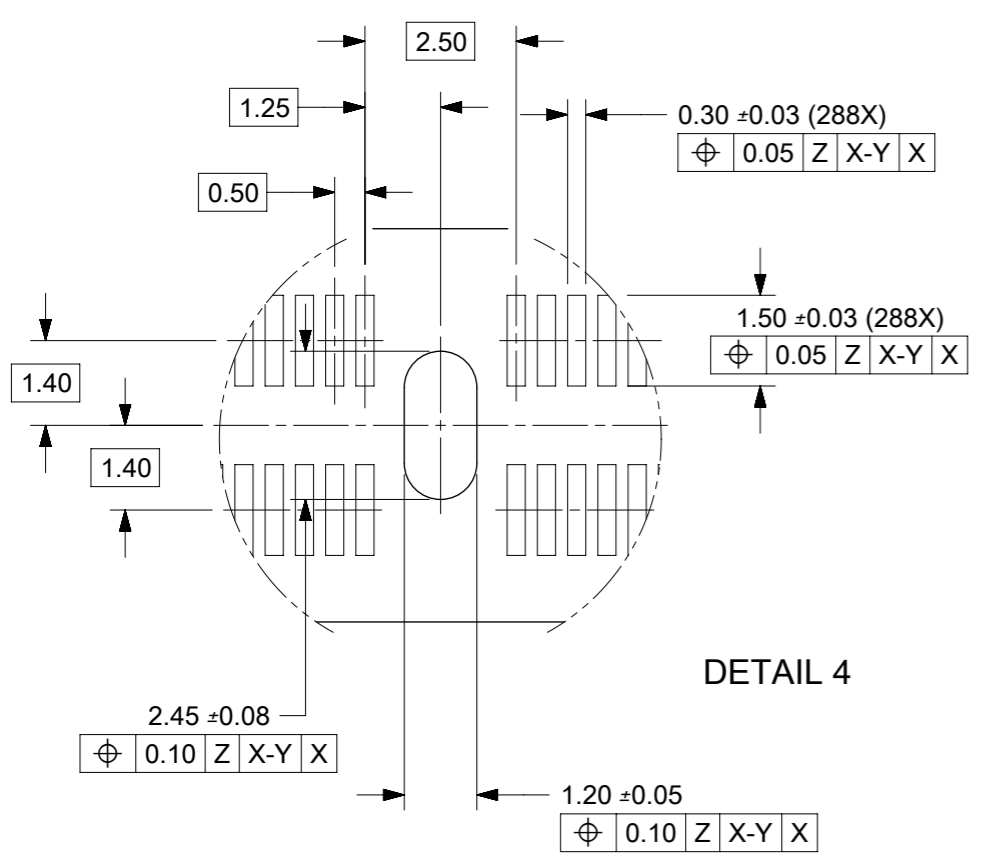
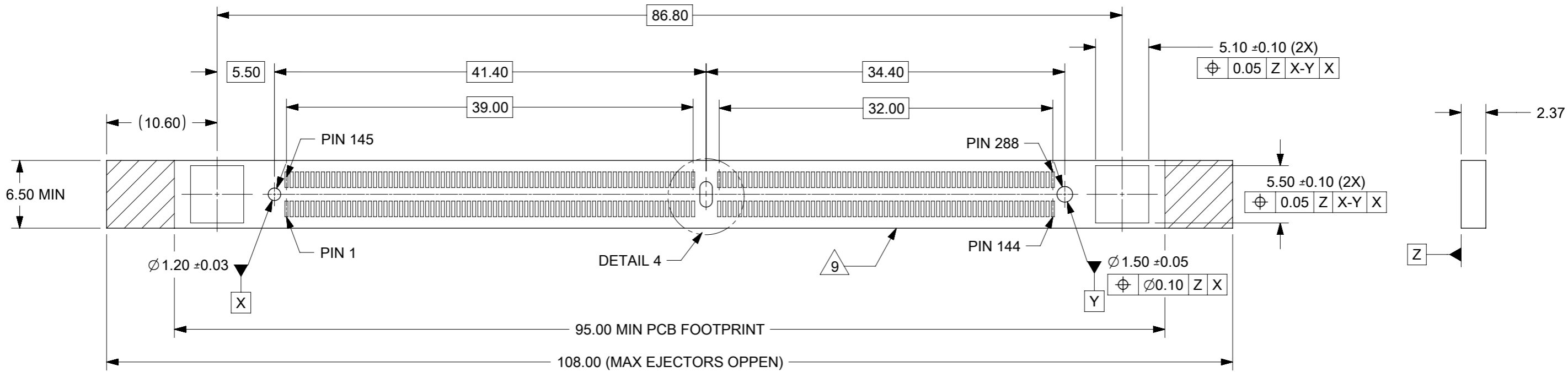
HOUSING MODIFIED EC NO: 167494 DRWN: JAKEEMEW CHK'D: CCTEH APPR: SHLENI	2017/11/01	GENERAL TOLERANCES (UNLESS SPECIFIED)		DIMENSION UNITS	SCALE				
	2018/01/25	ANGULAR TOL ± 3.0 °		mm	NTS				
	2018/02/09	4 PLACES ±	DRWN BY	DATE		DDR4 MINI DIMM, 0.50MM VERTICAL SMT 288CKTS			
		3 PLACES ±	JAKEEMEW	2014/12/16					
		2 PLACES ± 0.2	CHK'D BY	DATE					
	1 PLACE ±	CCTEH	2015/05/29		PRODUCT CUSTOMER DRAWING				
	0 PLACES ±	APPR BY	DATE						
		SHLENI	2015/06/08		SERIES	MATERIAL NUMBER	CUSTOMER		
			DRAFT WHERE APPLICABLE MUST REMAIN WITHIN DIMENSIONS	DRAWING SIZE	THIRD ANGLE PROJECTION	151105	SEE TABLE	GENERAL MARKET	
				A3		DOCUMENT NUMBER	DOC TYPE	DOC PART	SHEET NUMBER
						SD-151105-0001	PSD	000	4 OF 7



NOTE:
 1 CHAMFERS AND/OR RADII AS DEFINED BY JEDEC SOLID STATE PRODUCT OUTLINE

THIS DRAWING CONTAINS INFORMATION THAT IS PROPRIETARY TO MOLEX ELECTRONIC TECHNOLOGIES, LLC AND SHOULD NOT BE USED WITHOUT WRITTEN PERMISSION

HOUSING MODIFIED EC NO: 167494 DRWN: JAKEEMEW CHK'D: CCTEH APPR: SHLENI	2017/11/01		GENERAL TOLERANCES (UNLESS SPECIFIED)		DIMENSION UNITS	SCALE	molex [®]				
	2018/01/25		ANGULAR TOL ± 3.0 °		mm	NTS					
	2018/02/09		4 PLACES	±	DRWN BY	DATE		DDR4 MINI DIMM, 0.50MM VERTICAL SMT 288CKTS			
			3 PLACES	±	JAKEEMEW	2014/12/16					
			2 PLACES	± 0.2	CHK'D BY	DATE		PRODUCT CUSTOMER DRAWING			
			1 PLACE	±	CCTEH	2015/05/29					
		0 PLACES	±	APPR BY	DATE		SERIES MATERIAL NUMBER CUSTOMER				
		DRAFT WHERE APPLICABLE MUST REMAIN WITHIN DIMENSIONS		SHLENI	2015/06/08		151105	SEE TABLE	GENERAL MARKET		
B1		REV		DRAWING SIZE	THIRD ANGLE PROJECTION		DOCUMENT NUMBER		DOC TYPE	DOC PART	SHEET NUMBER
				A3			SD-151105-0001		PSD	000	5 OF 7



THIS DRAWING CONTAINS INFORMATION THAT IS PROPRIETARY TO MOLEX ELECTRONIC TECHNOLOGIES, LLC AND SHOULD NOT BE USED WITHOUT WRITTEN PERMISSION

HOUSING MODIFIED	EC NO: 167494	DRWN: JAKEEMEW	CHK'D: CCTEH	APPR: SHLENI	DATE: 2017/11/01	DATE: 2018/01/25	DATE: 2018/02/09	GENERAL TOLERANCES (UNLESS SPECIFIED) ANGULAR TOL ± 3.0 ° 4 PLACES ± 3 PLACES ± 2 PLACES ± 0.2 1 PLACE ± 0 PLACES ± DRAFT WHERE APPLICABLE MUST REMAIN WITHIN DIMENSIONS	DIMENSION UNITS	SCALE	 DDR4 MINI DIMM, 0.50MM VERTICAL SMT 288CKTS
	mm		NTS		DRWN BY	DATE			JAKEEMEW	2014/12/16	
	4 PLACES ±		3.0 °		CHK'D BY	DATE			CCTEH	2015/05/29	
	3 PLACES ±		0.2		APPR BY	DATE			SHLENI	2015/06/08	
	2 PLACES ±		0.10		DRAWING SIZE	THIRD ANGLE PROJECTION			A3		
PRODUCT CUSTOMER DRAWING								SERIES	MATERIAL NUMBER	CUSTOMER	
								151105	SEE TABLE	GENERAL MARKET	
DOCUMENT NUMBER								DOC TYPE	DOC PART	SHEET NUMBER	
SD-151105-0001								PSD	000	6 OF 7	

9 8 7 6 5 4 3 2 1

E

ASSEMBLY PART NUMBER	CENTER PCB HOLD-DOWN FEATURE	PICK & PLACE CAP	PRODUCT SPECIFICATION	PACKAGING SPECIFICATION
151105-0001	YES	NO	PS-151105-0001	PK-151105-0001
151105-0002	NO	YES		
151105-0003	YES	YES		
151105-0004	NO	NO		

D

C

B

A

THIS DRAWING CONTAINS INFORMATION THAT IS PROPRIETARY TO MOLEX ELECTRONIC TECHNOLOGIES, LLC AND SHOULD NOT BE USED WITHOUT WRITTEN PERMISSION

HOUSING MODIFIED EC NO: 167494 DRWN: JAKEEMEW CHK'D: CCTEH REV APPR: SHLENI	2017/11/01	GENERAL TOLERANCES (UNLESS SPECIFIED)		DIMENSION UNITS	SCALE	<h1>molex®</h1> <p>DDR4 MINI DIMM, 0.50MM VERTICAL SMT 288CKTS</p> <p>PRODUCT CUSTOMER DRAWING</p>
	2018/01/25	ANGULAR TOL ± 3.0 °		mm	NTS	
	2018/02/09	4 PLACES ±	DRWN BY	DATE		
		3 PLACES ±	JAKEEMEW	2014/12/16		
		2 PLACES ± 0.2	CHK'D BY	DATE		
		1 PLACE ±	CCTEH	2015/05/29		
	0 PLACES ±	APPR BY	DATE			
		SHLENI	2015/06/08			
		DRAFT WHERE APPLICABLE MUST REMAIN WITHIN DIMENSIONS	DRAWING SIZE	THIRD ANGLE PROJECTION		SERIES
			A3			151105
						MATERIAL NUMBER
						SEE TABLE
						CUSTOMER
						GENERAL MARKET
						DOCUMENT NUMBER
						SD-151105-0001
						DOC TYPE
						PSD
						DOC PART
						000
						SHEET NUMBER
						7 OF 7

RELEASE STATUS	P1	RELEASE DATE	2018/02/09	10:38:07
----------------	----	--------------	------------	----------

9 8 7 6 5 4 3 2 1

FORMAT: master-b-prod-A3
REVISION: 0
DATE: 2015/12/14