

RECOMMENDED PCB LAYOUT TOL: ±0.10  
 RECOMMENDED PCB THICKNESS : 1.6 mm

TECHNICAL CHARACTERISTICS

MATERIAL  
 INSULATOR: PBT  
 FLAMMABILITY RATING: UL94-V0  
 COLOR: WHITE  
 CONTACT MATERIAL: COPPER ALLOY  
 CONTACT TYPE: STAMPED  
 CONTACT PLATING: SELECTIVE GOLD  
 SHIELDING: BRASS Ni PLATED  
 QUALITY CLASS: 1500 MATING CYCLES

ENVIRONMENTAL  
 OPERATING TEMPERATURE: -40 UP TO +105°C  
 COMPLIANCE: LEAD FREE AND ROHS

ELECTRICAL  
 CURRENT RATING: 1.5 A MAX  
 WORKING VOLTAGE: 30 VAC  
 INSULATOR RESISTANCE: >1000 MΩ  
 DIELECTRIC WITHSTANDING VOLTAGE: 750 VAC/MIN  
 CONTACT RESISTANCE: 20 mΩ MAX

STANDARD  
 CERTIFIED: E323964

SOLDERING  
 JEDEC LEAD FREE WAVE SOLDERING

PACKAGING  
 TRAY

Pin NB.	Name
1	Vbus
2	D-
3	D+
4	GND

RoHS Compliant				PROJECTION: 	GENERAL TOLERANCE .X = +/- 0.2 .XX = +/- 0.15	
L	25-JUL-16	PIN-OUT	AK			
K	23-DEC-15	PCN	AK	APPROVAL: NPr	UNIT: MM	DESCRIPTION: DUAL USB 2.0 TYPE A VERTICAL
J	01-SEP-15	TPK	AK		SCALE:	
I	09-AVR-15	PCB THICKNESS	QP		SHEET: 1/3	WERI PART NO: 614 008 235 023
H	27-OCT-14	REVIEW	QL		DRAW: AK	
REV	DATE	FILE	BY			

1

2

3

4

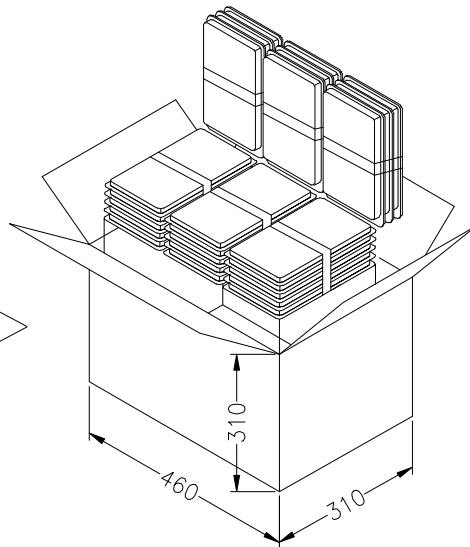
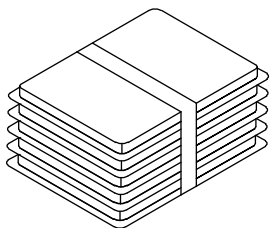
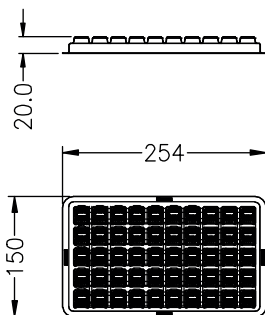
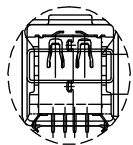
5

A

B

C

D



50 pcs/tray  
56 trays/carton  
2800 pcs/carton

RoHS Compliant				PROJECTION:	GENERAL TOLERANCE		DESCRIPTION: DUAL USB 2.0 TYPE A VERTICAL WERI PART NO: 614 008 235 023	SIZE <b>A4</b>
					.X = +/- 0.2 .XX = +/- 0.15			
				APPROVAL: NPr	UNIT: MM			
A					SCALE:			
REV	DATE	FILE	BY		SHEET: 2/3			
					DRAW: AK			

1

2

3

4

5

## Cautions and Warnings:

This electronic component is designed and developed with the intention for use in general electronics equipments.

Before incorporating the components into any equipments in the field such as aerospace, aviation, nuclear control, submarine, transportation, (automotive control, train control, ship control), transportation signal, disaster prevention, medical, public information network etc. where higher safety and reliability are especially required or if there is possibility of direct damage or injury to human body, Würth Elektronik must be asked for a written approval.

In addition, even electronic component in general electronic equipments, when used in electrical circuits that require high safety, reliability functions or performance, the sufficient reliability evaluation-check for the safety must be performed before by the user before usage.

A

B

C

RoHS Compliant

G				PROJECTION: 	GENERAL TOLERANCE .X = +/- 0.2 .XX = +/- 0.15		
F							
E							
D							
C				APPROVAL: JC	UNIT: MM	DESCRIPTION: DISCLAIMER	SIZE <b>A4</b>
B					SCALE:		
A	10-SEP-14	PDF	QL		SHEET: 3/3	WERI PART NO: DISCLAIMER	
REV	DATE	FILE	BY		DRAW: QL		

D