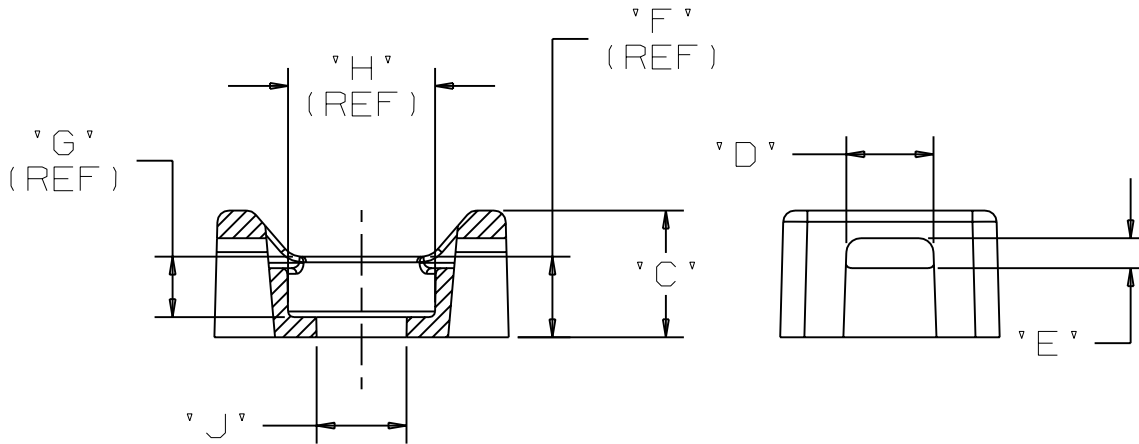
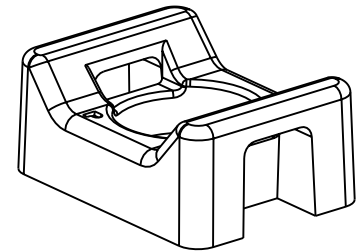
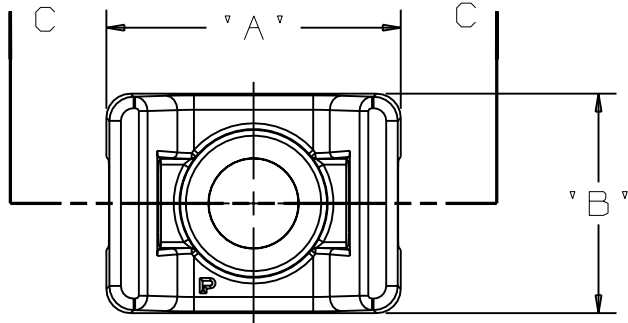


THIS COPY IS PROVIDED ON A RESTRICTED BASIS AND IS NOT TO BE USED IN ANY WAY DETRIMENTAL TO THE INTERESTS OF PANDUIT CORP.

PANDUIT PART NO	REC'M FASTENER	DIMENSIONS									WEIGHT	
		'A'	'B'	'C'	'D'	'E'	'F'	'G'	'H'	'J'	lbs 100	(g) pcs
TMSG1S6-____ SGTM1S6-____	#6 (M3) SCREW	0.51 (12.95)	0.38 (9.65)	0.22 (5.6)	0.151 (3.84)	0.051 (1.30)	0.14 (3.56)	0.10 (2.54)	0.257 (6.53)	0.153 (3.90)	0.78 (353.8)	

USE WITH THESE
CABLE TIE
CROSS SECTIONS

M,
SG100M



SECTION C - C

DIMENSIONS IN BRACKETS ARE METRIC [mm]	
CAD FILENAME/LAYERS G03150FJ_PB_SGTM1S6_00	
PANDUIT CORP. TINLEY PARK, ILLINOIS	
TIE MOUNT FOR SUPER GRIP TIES (SGTM1S6- _ TMSG1S6- _)	
UNLESS OTHERWISE SPECIFIED, DIMENSIONAL TOLERANCES ARE: (.X) ±0.05 (1.3) (.XXX) ±0.010 (0.25) (.XX) ±0.02 (0.5) ANGLES ±5°	UNLESS OTHERWISE SPECIFIED, ALL DIMENSIONS ARE GIVEN IN INCHES, THIRD ANGLE PROJECTION.
DRAWN BY JAD	MAT'L: NYLON 6/6
DATE 8/17/06	SCALE 4X
CHK'D	DRAWING NO. GB3150FJ
	DWG SIZE A

REV	DATE	BY	CHK	DESCRIPTION	ECN	R	CUST	SUP
R	8/17/06	JAD		INITIAL RELEASE	GB3150FJ	R		