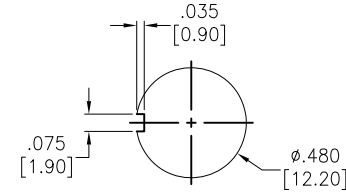
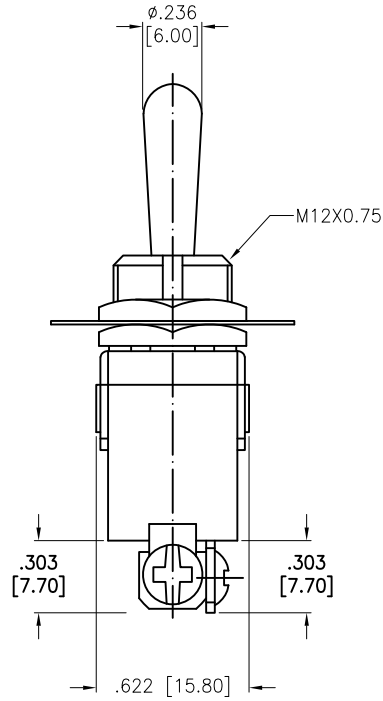
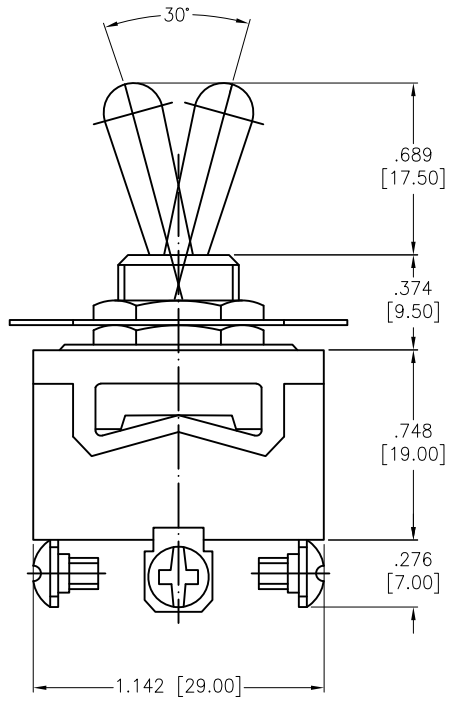
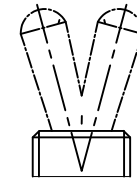
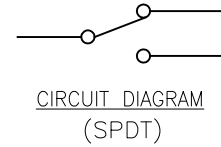


APPROVED: \_\_\_\_\_  
 DATE: \_\_\_\_\_ TITLE: \_\_\_\_\_

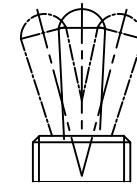
Rev	AWO #	Description	Date	Appr
-		RELEASED	11/11/20	
A		UPDATE SPEC.	8/10/21	WX/RC



RECOMMENDED  
 PANEL CUT-OUT



2 WAY



3 WAY

SW-T1-2X-D-K1

- B=ON-ON
- D=ON-(ON)
- E=ON-OFF-ON
- F=ON-OFF-(ON)
- G=(ON)-OFF-(ON)

SPECIFICATIONS:

Material:  
 Body: Bakelite, Color: Black  
 Lever: Brass, Nickel plated  
 Terminal: Brass, Silver plated  
 Electrical:  
 Rating: 10A @ 250V AC  
 15A @ 125V AC  
 Contact resistance: 50 mΩ max  
 Insulation resistance: 1000 MΩ min (500VDC)  
 Dielectric withstanding voltage: 1500V AC for 1 minute  
 Electrical Life: 10,000 cycles  
 Temperature Rating:  
 Operating temperature: -25°C to +85°C  
 Environmental:  
 Lead free, RoHS compliant



UNLESS OTHERWISE SPECIFIED ALL DIMENSIONS  
 ARE INCHES [MM]. TOLERANCES: EXCEPT AS NOTED

INCHES		HOLES	
.X	± .10	∅X	± .10
.XX	± .020	∅XX	± .015
.XXX	± .015	∅XXX	± .010



909 Rahway Avenue,  
 Union, NJ 07083  
 Phone: 908-687-5000  
 Fax: 908-687-5710

DRAWN	OW	11/11/20
CHECKED	AC	11/11/20
APPROVED		

TITLE	SWITCH, TOGGLE MEDIUM, SPDT, SCREW LUG		
SIZE	PART NO.	REV.	
X	SW-T1-2X-D-K1	A	

THIS DRAWING CONTAINS INFORMATION THAT IS PROPRIETARY  
 AND SHOULD NOT BE USED WITHOUT PRIOR WRITTEN  
 PERMISSION FROM ADAM TECH

REF:	S00204C	SCALE:	NTS	SHEET	1 OF 1
------	---------	--------	-----	-------	--------