

6

5

4

3

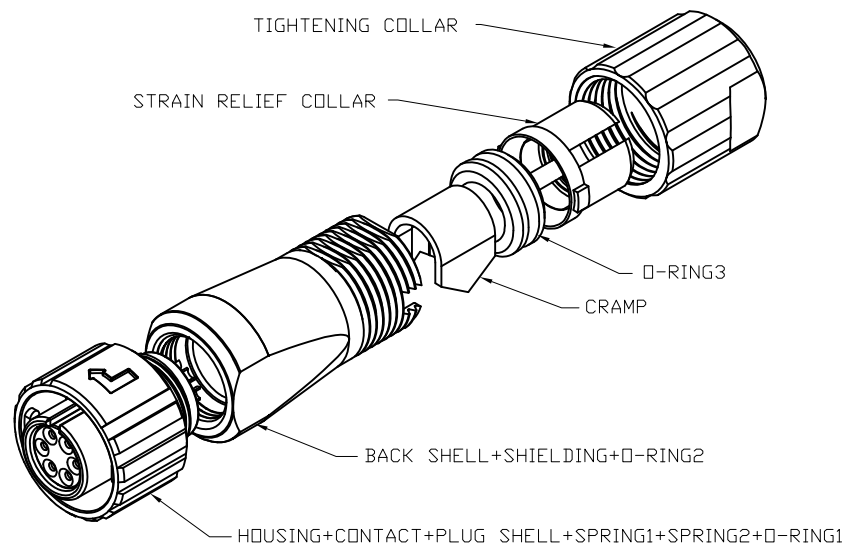
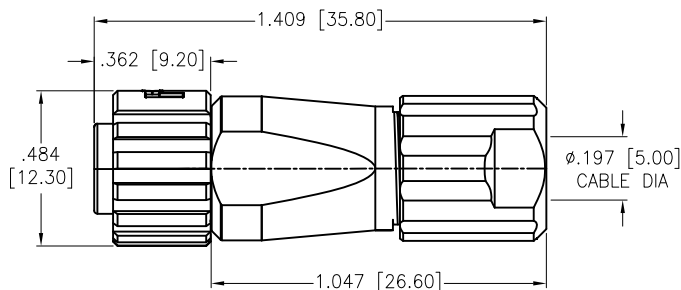
2

1

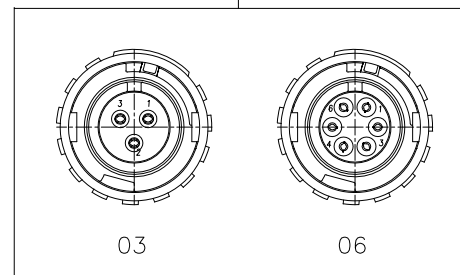
APPROVED: _____

DATE: _____ TITLE: _____

Rev	AWO #	Description	Date	Appr
-		RELEASED	11/23/18	



SD-MMNXX-FFBBL-SX0-000
7=IP67



SPECIFICATIONS:

Material:

- Housing: PPS, rated UL 94V-0, Color: Black
- Contacts: Phosphor Bronze, Gold Flash plated
- Plug Shell: Zinc Alloy, Nickel plated
- Locking collar: Zinc Alloy, Nickel plated
- Spring 1: Stainless Steel
- Spring 2: Stainless Steel
- O-ring 1: EDPM
- Back shell: Zinc Alloy, Nickel plated
- Shielding: Phosphor Bronze, Nickel plated
- O-ring 2: EDPM
- Clamp: Brass, Nickel plated
- O-ring 3: NBR, Color: Black
- Strain relief collar: Nylon 66, rated UL 94V-0, Color: White
- Tightneing collar: PPS, Color: Brown
- Environmental:
Lead free, RoHS compliant



UNLESS OTHERWISE SPECIFIED ALL DIMENSIONS ARE INCHES [MM] TOLERANCES: EXCEPT AS NOTED		ADAM TECH 909 Rahway Avenue, Union, NJ 07083	
INCHES HOLES		Phone: 908-687-5000	
.X ± .10	Ø.X ± .10	Fax: 908-687-5710	
.XX ± .020	Ø.XX ± .015	TITLE WATERPROOF CONNECTOR, FEMALE DIN, ASSEMBLY, LOCK TYPE, SOLDER	
.XXX ± .015	Ø.XXX ± .010		
APPROVALS		DATE	
DRAWN	HR	11/23/18	
CHECKED	AC	11/23/18	
APPROVED			
SIZE X	PART NO. SD-MMNXX-FFBBL-SX0-000	REV. -	
REF: S00200T	SCALE: NTS	SHEET 1 OF 1	

6

5

4

3

2

1