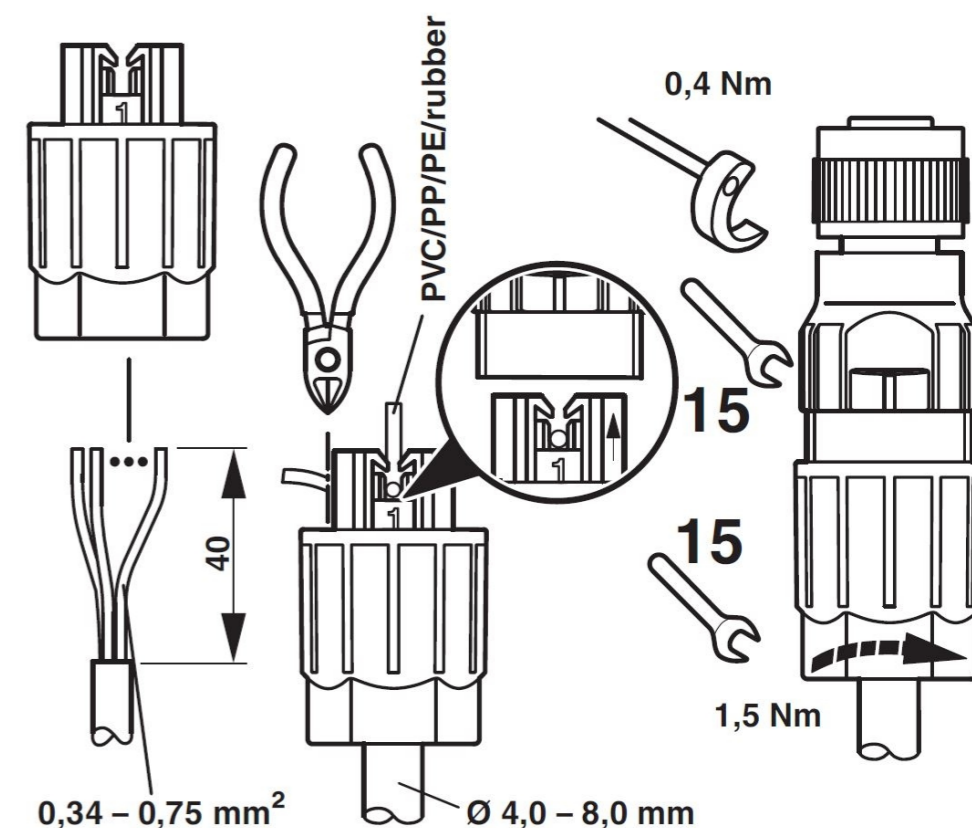


SCALE 2:1



NOTES:

Ambient temperature (operation):

-25 °C ... 80 °C (Plug / socket)

Degree of protection: IP65

Degree of protection: IP67

General:

Rated current at 40°C: 4 A

Rated voltage: 250 V

Number of poles: 4

Connection method:

Insulation displacement connection

Conductor cross section: 0.34 mm² ... 0.75 mm²

Wire diameter including insulation: 1.3 mm ... 2.6 mm

Cable outlet: 4 mm ... 8 mm ±0.2 mm

Structure of individual litz in acc. with VDE 0295

/ smallest wire diameter: Class 2-6

Contact material: CuSn

Contact surface material: Ni/Au

ENG.-No.: 8A4000-52

THIS DRAWING CONTAINS INFORMATION THAT IS PROPRIETARY TO MOLEX INCORPORATED AND SHOULD NOT BE USED WITHOUT WRITTEN PERMISSION										
QUALITY SYMBOLS ▽ = 0 ▽ = 0 ▽ = 0 ▼ = 0 ▽ = 0 ⊠ = 0 ■ = 0 ▽ = 0	EC DESCRIPTION EC NO.: 108741 DRWN: THAERT CHK'D: REV APPR: RSILLER	2016/09/23 2016/09/23	GENERAL TOLERANCES (UNLESS SPECIFIED)		DIMENSION UNITS	SCALE				
			ANGULAR TOL ± 1.0 °		MM	4:1				
			4 PLACES ±	3 PLACES ±	DRWN BY	DATE				
			2 PLACES ± 0.05	1 PLACE ± 0.3	MSCHWARZ	2015/09/01				
0 PLACES ± 0.5		CHK'D BY	DATE	PRODUCT CUSTOMER DRAWING			FA M12 4P AC FE STR IDC UNSH			
DRAFT WHERE APPLICABLE MUST REMAIN WITHIN DIMENSIONS			DRAWING SIZE	THIRD ANGLE PROJECTION	SERIES			MATERIAL NUMBER	CUSTOMER	
			A3		120071			1200710089	GENERAL MARKET	
					DOCUMENT NUMBER			DOC TYPE	DOC PART	SHEET NUMBER
					1200710089			PSD	000	1 OF 1