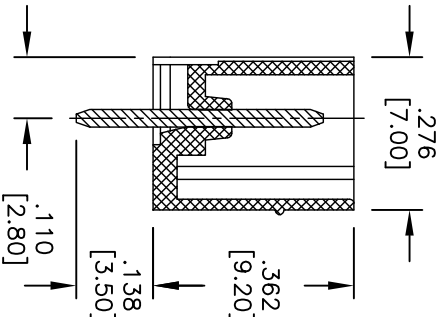
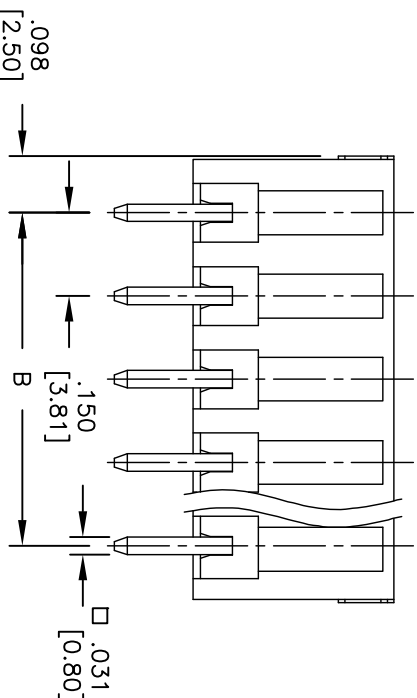
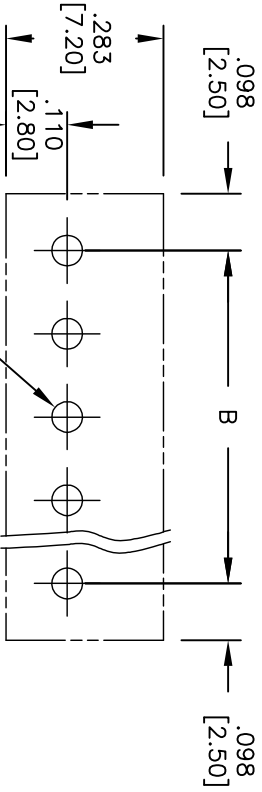
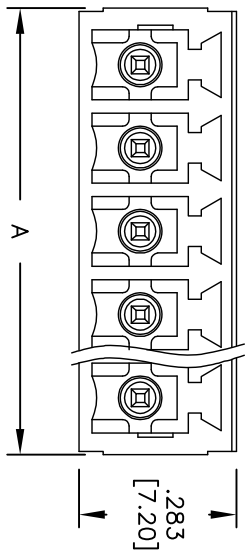


APPROVED: _____
 DATE: _____ TITLE: _____

| Rev | AWO # | Description | Date | Appr |
|-----|-------|-------------|---------|------|
| - | 9427 | RELEASED | 3/06/09 | |
| A | - | REDRAWN | 7/11/11 | |



| Poles | Tolerance |
|--------|--------------|
| 2-6P | ±.006 [0.15] |
| 7-12P | ±.008 [0.20] |
| 13-18P | ±.010 [0.25] |
| 19-24p | ±.012 [0.30] |

Poles: 2 thru 24
 A = .150 [3.81] X No. of Spaces + .197 [5.00]
 B = .150 [3.81] X No. of Spaces

SPECIFICATIONS:
 Material: Insulator: Thermoplastic, rated UL 94V-0
 Insulator color: Green
 Contact: Copper Alloy, Tin plated.
 Electrical: Operation voltage: 300 VAC
 Current rating: 10 Amps
 Mechanical: Withstanding Voltage: 1.6KV
 Environmental: Operating temperature: -40°C to +115°C
 Lead free, RoHS compliant.



| UNLESS OTHERWISE SPECIFIED ALL DIMENSIONS ARE IN MM TOLERANCES: EXCEPT AS NOTED INCHES | |
|---|-------|
| .X | ±.10 |
| .XX | ±.020 |
| .XXX | ±.015 |
| Ø.X | ±.10 |
| Ø.XX | ±.015 |
| Ø.XXX | ±.010 |
| APPROVALS | DATE |
| DRAWN | DY |
| CHECKED | |
| APPROVED | |

ADAM TECH
 909 Railway Avenue, Union, NJ 07083
 Phone: 908-687-5000 Fax: 908-687-5710
 TITLE: .150 [3.81] PITCH, TERMINAL BLOCK, VERTICAL

| SIZE | PART NO. | REV. |
|------|--------------|--------------|
| X | EB3-XX-B-180 | A |
| REF: | S00007T | SCALE: NTS |
| | | SHEET 1 OF 1 |

6 5 4 3 2 1