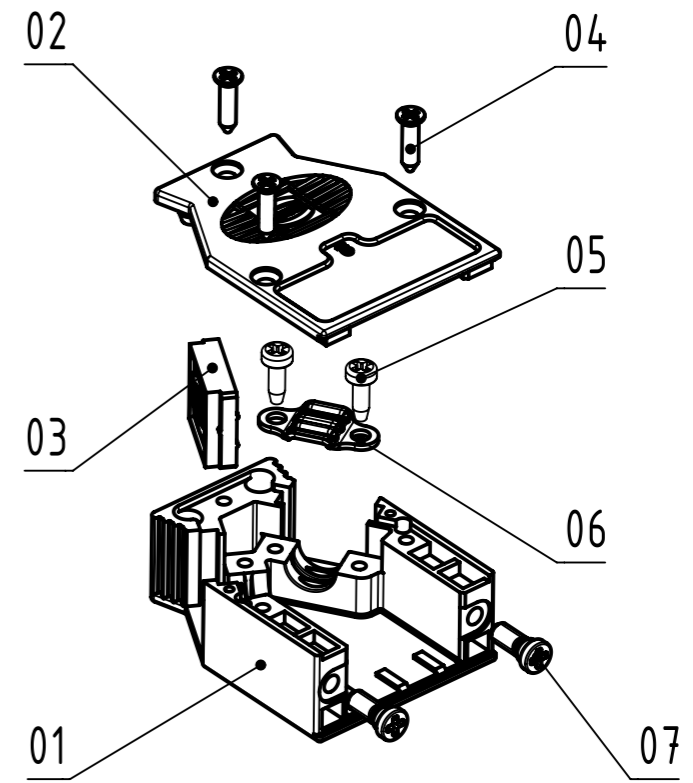


Cable diameter between 3 and 7mm, 9mm max. with longer cable clamp screws(0967 000 9946)
 Cable clamp screws max. torque=0,3Nm
 Cover screws max. torque=0,15Nm for 0967 009 0453
 Cover screws max. torque=0,25Nm for 0967 009 0452

| | |
|---------------|---|
| 0967 009 0453 | D-Sub 9-pole thermoplastic metallized side entry hood for spring or slide locking |
| 0967 009 0452 | D-Sub 9-pole thermoplastic black side entry hood for spring or slide locking |
| Part number | Description |



| Content D-Sub hood | | | Spare parts (MOQ100) | |
|--------------------|----------|---|--------------------------------|----------|
| Pos. | Quantity | Description | Part Number | Quantity |
| 01 | 1 | Housing: either thermoplastic metallized housing (for 0967 009 0453) or thermoplastic black housing (for 0967 009 0452) | | |
| 02 | 1 | Cover: either thermoplastic metallized cover (for 0967 009 0453) or thermoplastic black cover (for 0967 009 0452) | | |
| 03 | 1 | Blank piece: either thermoplastic metallized blank piece (for 0967 009 0453) or thermoplastic black blank piece (for 0967 009 0452) | 0967 003 6011 | 1 |
| 04 | 3 | Screws for cover | | |
| 05 | 2 | Screws for cable clamp x6,5mm Screws for cable clamp x8,5mm (optional) | 0967 000 9944 0967 000 9946 | 1 1 |
| 06 | 1 | Cable clamp | 0967 000 9942 | 1 |
| 07 | 2 | Locking bolt | 0967 003 6014 | 1 |

| | | | | | |
|---|--|----------------------|-----------------------------|--------------------|--|
| All Dimensions in mm Original Size DIN A3 | | Scale 2:1 | Free size tol. | | Ref. Sub. |
| All rights reserved Department EL PD | Created by ZENGO | Inspected by LUOK | Standardisation HOFFMANN | Date 2019-11-06 | State Final Release |
| | Title D-Sub 9-pole plastic side entry hood Type TB Number 0967009045Y | | | | Doc-Key / ECM-Nr. 100669135/UGD/002/B 500000160261 |
| HARTING Electronics GmbH D-32339 Espelkamp | | | | Rev. B | Page 1/1 |