

V3L-2228

CATALOG LISTING

PAGE 1 OF 1

REPLACES

RELEASE NO. PR-7640

**M**

ISSUE

5

CHECK

REVISIONS

<b>A</b>	CO 93070	TSM 6 AUG 98
<b>B</b>	CO 93665	TSM 2 NOV 98

CHECK

6 AUG 98

J A F

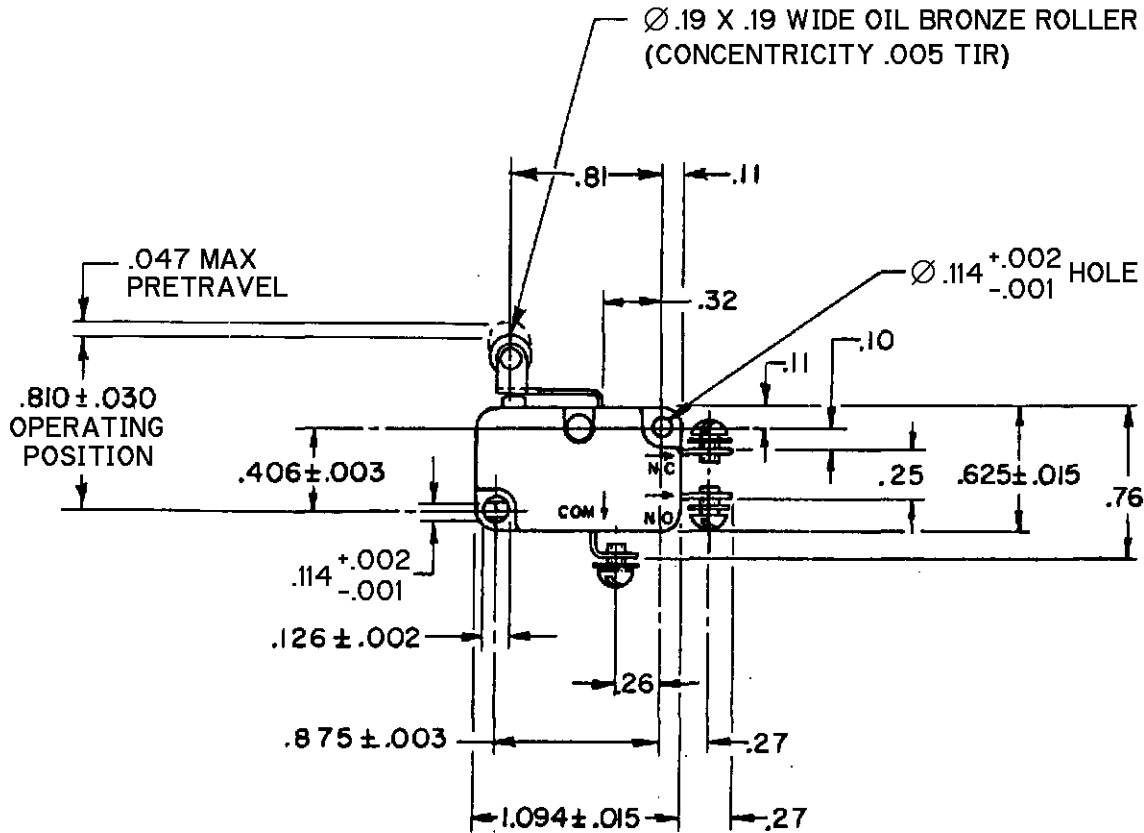
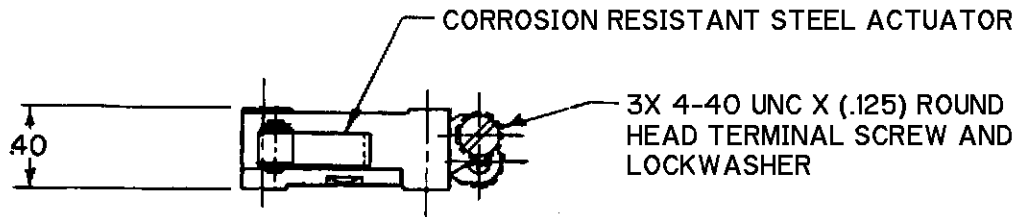
CHECK

6 AUG 98

FORMTEK

DRAWN

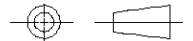
T S M



NOTE  
1 - SWITCH MARKING SHALL INCLUDE "FAA-PMA"

THIS DRAWING COVERS A PROPRIETARY ITEM AND IS THE PROPERTY OF MICRO SWITCH, A DIVISION OF HONEYWELL. THIS DRAWING IS NOT TO BE COPIED OR USED WITHOUT THE APPROVAL OF MICRO SWITCH.

THIRD ANGLE PROJECTION



CHARACTERISTICS
OPERATING FORCE - - - - - 50 GRAM MAX
RELEASE FORCE - - - - - 5 GRAM MIN
DIFFERENTIAL TRAVEL - - - - .013 MAX
OVERTRAVEL - - - - - .045 MIN
RELEASE TRAVEL - - - - - .007 MIN

ELECTRICAL DATA

CONTACT ARRANGEMENT  
**S P D T**

L131

10A-1/4HP-125 OR 250 VAC  
1/2A-125 VDC; 1/4A-250 VDC  
3A-125 VAC "L"

SCALE **FULL** DO NOT SCALE PRINT

UNLESS OTHERWISE SPECIFIED TOLERANCES ARE

ONE PLACE (.0)	±.030
TWO PLACE (.00)	±.015
THREE PLACE (.000)	±.005
ANGLES	±

WEIGHT

