

Materials and Finish

Housing: PBT Thermoplastic
UL 94V-0 Rated

Terminals: Copper Alloy,
10-15u" Silver over
100u" Nickel plating

Mechanical Characteristics

Insertion Force:
0.4kg - 2.0kg

Extraction Force:
0.3kg - 2.0kg

Durability: 5000 mating cycles

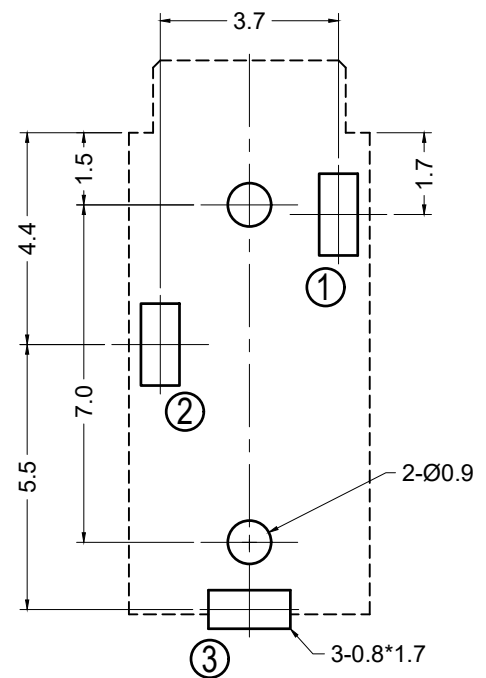
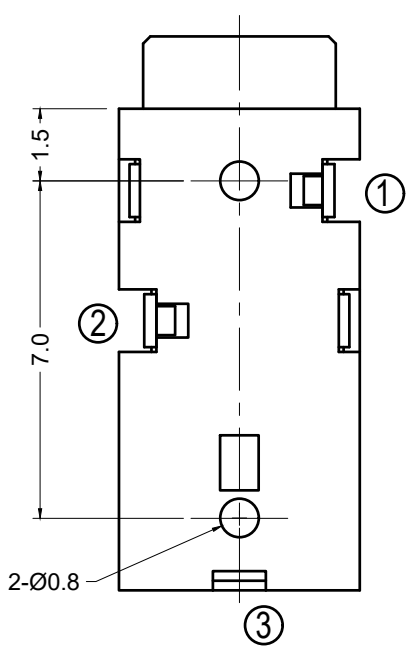
Electrical Characteristics

Contact Resistance:
Before Test: 30mohms Max.
After Durability Test:
60 mohms Max.

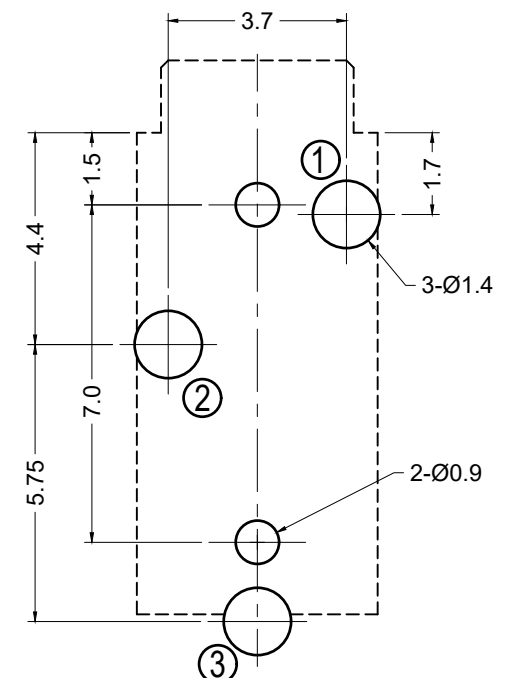
Insulation Resistance:
More than 100 Megohms
at 250V DC

Dielectric Strength:
250V AC RMS for 1 minute

Operating Temp:
-25°C to +80°C



Recommended PCB Layout
(Bottom View)



Alternate PCB Layout
(Bottom View)

| Tolerances |
|---------------|
| X.X ± 0.25 |
| X.XX ± 0.15 |
| Unless Stated |
| Otherwise |



| REV. | DATE | DESCRIPTION | REV. BY | CHK. BY | DRAWN BY | DATE |
|------|----------|-----------------|-----------|-------------|----------|--------|
| A0 | 5/9/05 | New Drawing | H. MA | C. Furumasu | H. MA | 5/9/05 |
| A1 | 8/29/05 | Release Drawing | H. MA | N/A | | |
| A2 | 08/14/18 | Update Address | D. Shehan | N/A | | |
| | | | | | | |
| | | | | | | |

STX-2000-3N

UNITS
mm

Stereo Jack, Rt. Ang, RoHS Compliant

All Plastic Body, Through-Hole type

