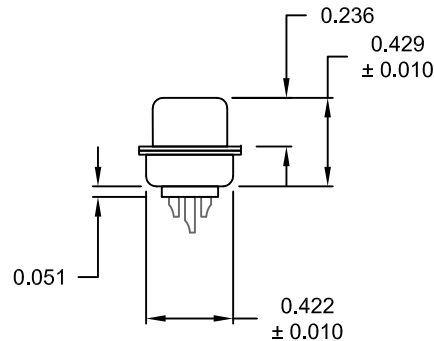
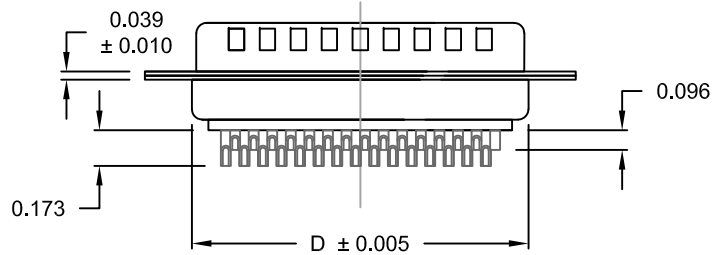
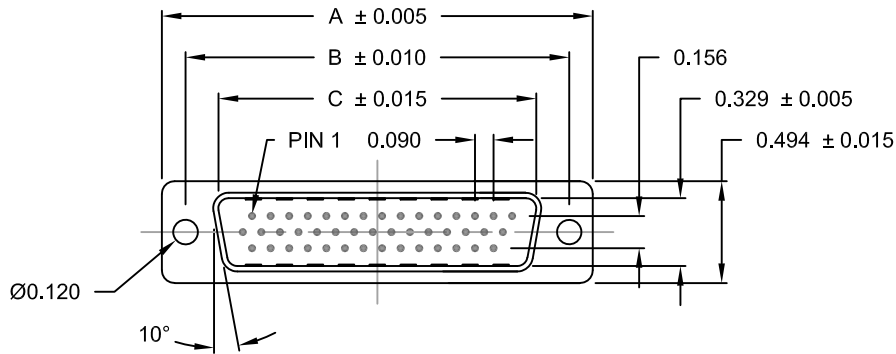


DESCRIPTION: MALE - HIGH DENSITY - MACHINED CONTACTS - SOLDER CUP



ACCEPTS 28 - 24 AWG WIRE

No. OF PINS	DIMENSIONS (IN.)			
	A	B	C	D
15	1.213	0.984	0.666	0.759
26	1.541	1.312	0.994	1.083
44	2.088	1.852	1.534	1.625

RoHS COMPLIANT

**MATERIAL:**

SHELL: STEEL MATERIAL, NICKEL FINISH  
 INSULATOR: PBT THERMOPLASTIC 30% GLASS FILLED, UL 94V-0 RATED, BLACK  
 CONTACT MATERIAL: BRASS  
 CONTACT FINISH: SELECTIVE GOLD FINISHED  
 SEALING MATERIAL: F08 FLEXIBLE ADHESIVE

**ELECTRICAL:**

CONTACT CURRENT RATING: 5 AMPS  
 CONTACT RESISTANCE: 30 Milliohms Max.  
 DIELECTRIC WITHSTANDING VOLTAGE: 1,000VAC Min.  
 INSULATION RESISTANCE: 5,000 Megohms Min.  
 TEMPERATURE RATING: -55° ~ +105° C

780-M YY-1 0 3 L YY 1

SERIES \_\_\_\_\_  
 MACHINED CONTACTS \_\_\_\_\_  
 POSITIONS \_\_\_\_\_  
 15 \_\_\_\_\_  
 26 \_\_\_\_\_  
 44 \_\_\_\_\_  
 GENDER \_\_\_\_\_  
 1 = MALE  
 TERMINATION \_\_\_\_\_  
 0 = SOLDER CUP  
 SHELL PLATING \_\_\_\_\_  
 3 = NICKEL  
 RoHS COMPLIANT \_\_\_\_\_  
 HARDWARE OPTIONS \_\_\_\_\_  
 00 = NO HARDWARE  
 01 = 0.098" 4-40 INSERT, BOARD SIDE  
 PLATING OPTIONS \_\_\_\_\_  
 1 = GOLD FLASH, ENTIRE CONTACT

MEETS IP67 STANDARDS

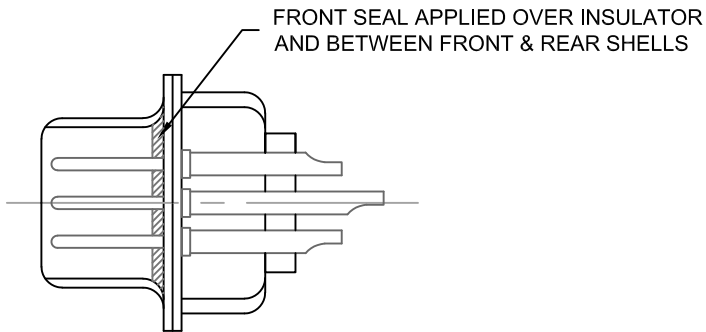
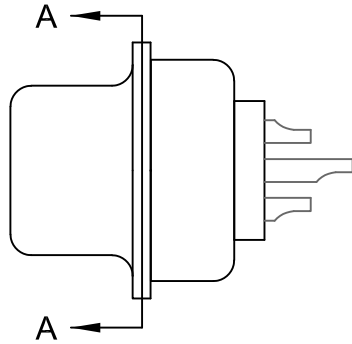
(SEE PAGE 2 FOR SEALING DETAILS)

DO NOT SCALE FROM DRAWING

	THESE DRAWINGS AND SPECIFICATIONS ARE THE PROPERTY OF NorComp AND SHALL NOT BE REPRODUCED, COPIED OR USED AS THE BASIS FOR THE MANUFACTURE OF SALE OF APPARATUS WITHOUT WRITTEN PERMISSION.		DRAWN: C. SMITH	DATE: 06-11-09
	NorComp		SCALE: NTS	SHEET 1 OF 2
DWG NO. 780-MYY-103L YY1				

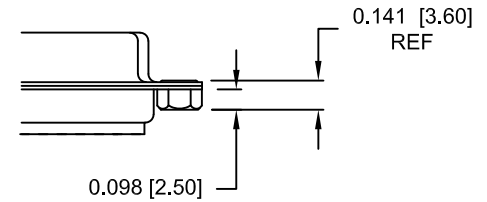
DESCRIPTION: IP67 - MALE - HIGH DENSITY - SOLDER CUP - MACHINED - SEALING PROCESS

HARDWARE OPTION



DETAIL A-A

01X ..... 0.098" (BOARD SIDE)



DO NOT SCALE FROM DRAWING



THESE DRAWINGS AND SPECIFICATIONS ARE THE PROPERTY OF NorComp AND SHALL NOT BE REPRODUCED, COPIED OR USED AS THE BASIS FOR THE MANUFACTURE OR SALE OF APPARATUS WITHOUT WRITTEN PERMISSION.

DRAWN: C. SMITH		DATE: 06-11-09	
SCALE: NTS	SHEET 2	OF 2	REV 4
DWG NO. 780-MYY-103LYY1			

**NorComp**