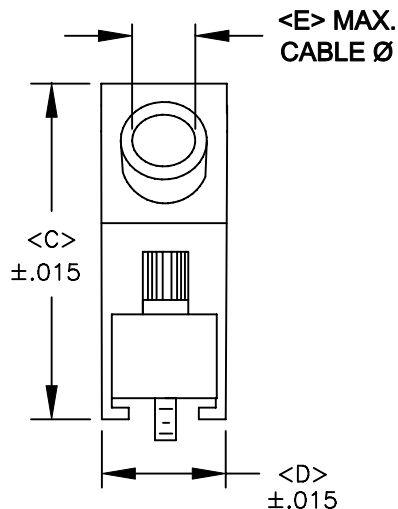
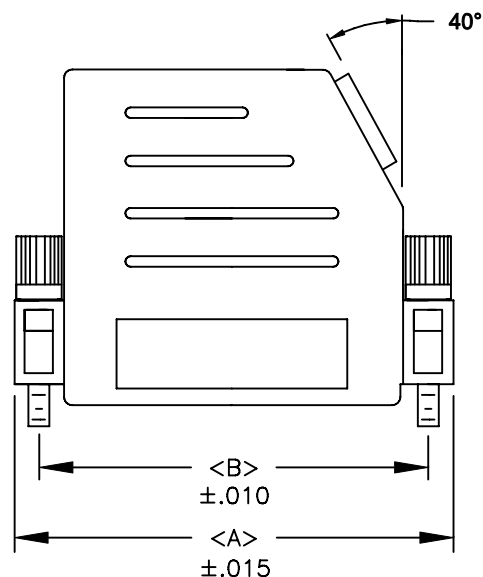


BACKSHELL KIT INCLUDES:

- (2) BACKSHELL HALVES
- (2) 4-40 THUMBSCREWS
- (2) HOUSING SCREWS
- (1) METAL STRAIN RELIEF CLAMP
- (2) STRAIN RELIEF SCREWS

974-YYY-YYYRYY1

SERIES \_\_\_\_\_  
 POSITIONS \_\_\_\_\_  
 009  
 015  
 025  
 037  
 050  
 MATERIAL \_\_\_\_\_  
 010 = PLASTIC  
 020 = METALIZED PLASTIC  
 COLOR: \_\_\_\_\_  
 01 = BLACK  
 12 = NICKEL OVER COPPER  
 PUT-UPS \_\_\_\_\_  
 1 = KIT



POS.	A	B	C	D	E
9	1.240	.984	1.457	.598	.335
	31.50	24.99	37.01	15.19	8.51
15	1.575	1.312	1.457	.598	.335
	40.01	33.32	37.01	15.19	8.51
25	2.106	1.852	1.614	.598	.433
	53.49	47.04	41.00	15.19	11.00
37	2.756	2.500	1.614	.598	.433
	70.00	63.50	41.00	15.19	11.00
50	2.670	2.406	1.614	.717	.472
	67.82	61.00	41.00	18.21	11.99

METALIZED PLASTIC:


MATERIAL: HIGH TEMPERATURE ABS  
 PLATING: NICKEL OVER COPPER

PLASTIC:

MATERIAL: HIGH TEMPERATURE ABS  
 COLOR: BLACK

OPERATING TEMP: -55°C TO +125°C

RoHS COMPLIANT

	THESE DRAWINGS AND SPECIFICATIONS ARE THE PROPERTY OF NorComp AND SHALL NOT BE REPRODUCED, COPIED OR USED AS THE BASIS FOR THE MANUFACTURE OR SALE OF APPARATUS WITHOUT WRITTEN PERMISSION.		DRAWN: <b>PAM JENKINS</b>	DATE: <b>7-15-05</b>	
	<h1>NorComp</h1>			CHECKED:	DATE:
SCALE:				SHEET 1 OF 1	REV 2
DWG NO. <b>974-YYY-0Y0RYY1</b>					