

## Model 25 (PR1) 46 mm Diameter, 20 Turn Dial



### FEATURES

- Large package size
- For use with precision potentiometers or other devices, up to 20 turns
- Excellent readability
- Precision feel - no backlash
- Cast housing
- Material categorization: For definitions of compliance please see [www.vishay.com/doc?99912](http://www.vishay.com/doc?99912)



**RoHS**  
COMPLIANT

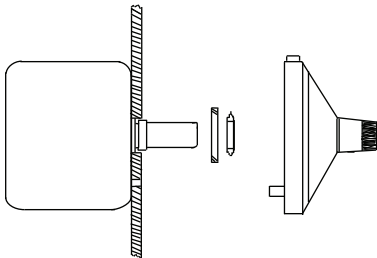
### QUICK REFERENCE DATA

Sensor type	DIALS
Market appliance	Industrial
Dimensions	46 mm diameter

### MECHANICAL SPECIFICATIONS

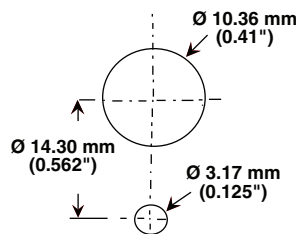
Accepts Shaft Diameter	6.35 mm (0.250")/6 mm/3.17 (0.125")/3 mm
Number of Turns	0 to 20
Dial Division	100 per turn
Torque with Brake Engaged	5 oz. - in (350 g - cm) min.
Markings	Black on satin chrome
Weight	75 g
Set Screw	UNC 4-40
Hex Key Size	1.27 mm (0.05")
Bushing Extension Beyond Panel	6.35 mm (0.250") max.
Shaft Extension Beyond Panel	18.1 mm (0.710") min. 22.5 mm (0.925") max.

### DIMENSIONS in millimeters (inches)

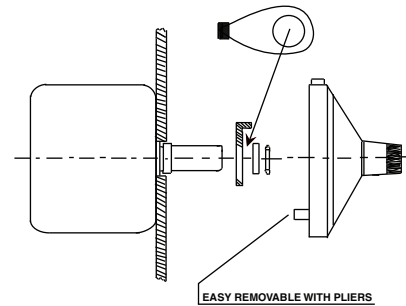


#### Using the existing Antirotation Lug

1. Drill 3.2 mm (0.125) diameter antirotation pin hole on vertical centerline 14.3 mm (0.562) below center of potentiometer mounting hole.
2. Mount potentiometer shaft counterclockwise to obtain minimum resistance or voltage ratio. This is not necessarily identical with the mechanical stop.
4. Loosen set screws in knob of dial. Set dial. Set dial to "0.0" reading.
5. While holding outer ring of dial, position unit lightly against panel. Tighten knob set screws to potentiometer shaft.



#### PANEL HOLE PATTERN



#### Using the Antirotation Device

1. Remove antirotation lug from dial by using pliers.
2. Mount potentiometer in panel with antirotation device nut (supplied with dial) and lockwasher (supplied with potentiometer).
3. Turn potentiometer shaft counterclockwise to obtain minimum resistance or voltage ratio. This is not necessarily identical with the mechanical stop.
4. Loosen screws in knob of dial. Set dial to "0.0" reading.
5. While holding outer ring of dial, position unit lightly against panel. Tighten knob set screws to potentiometer shaft.

### ORDERING INFORMATION/DESCRIPTION

25	A	11	B010	e
MODEL	SHAFT DIAMETER ACCOMMODATION AND FIXINGS	FINISH	PACKAGING	LEAD FINISH
Example: 25 - A - 11	<b>A</b> 1/4" dia. shaft - 1 set screw <b>B</b> 6 mm metric bore - 1 set screw <b>C</b> 1/8" dia. shaft -1 set screw <b>D</b> 3 mm metric bore - 1 set screw	<b>11</b> Satin chrome, black markings (standard) <b>21</b> Black chrome, white markings <b>41</b> Satin chrome, white markings		

### SAP PART NUMBERING GUIDELINES

25	A	11	B10
MODEL	SHAFT DIAMETER	FINISH	PACKAGING



## **Disclaimer**

ALL PRODUCT, PRODUCT SPECIFICATIONS AND DATA ARE SUBJECT TO CHANGE WITHOUT NOTICE TO IMPROVE RELIABILITY, FUNCTION OR DESIGN OR OTHERWISE.

Vishay Intertechnology, Inc., its affiliates, agents, and employees, and all persons acting on its or their behalf (collectively, "Vishay"), disclaim any and all liability for any errors, inaccuracies or incompleteness contained in any datasheet or in any other disclosure relating to any product.

Vishay makes no warranty, representation or guarantee regarding the suitability of the products for any particular purpose or the continuing production of any product. To the maximum extent permitted by applicable law, Vishay disclaims (i) any and all liability arising out of the application or use of any product, (ii) any and all liability, including without limitation special, consequential or incidental damages, and (iii) any and all implied warranties, including warranties of fitness for particular purpose, non-infringement and merchantability.

Statements regarding the suitability of products for certain types of applications are based on Vishay's knowledge of typical requirements that are often placed on Vishay products in generic applications. Such statements are not binding statements about the suitability of products for a particular application. It is the customer's responsibility to validate that a particular product with the properties described in the product specification is suitable for use in a particular application. Parameters provided in datasheets and / or specifications may vary in different applications and performance may vary over time. All operating parameters, including typical parameters, must be validated for each customer application by the customer's technical experts. Product specifications do not expand or otherwise modify Vishay's terms and conditions of purchase, including but not limited to the warranty expressed therein.

Hyperlinks included in this datasheet may direct users to third-party websites. These links are provided as a convenience and for informational purposes only. Inclusion of these hyperlinks does not constitute an endorsement or an approval by Vishay of any of the products, services or opinions of the corporation, organization or individual associated with the third-party website. Vishay disclaims any and all liability and bears no responsibility for the accuracy, legality or content of the third-party website or for that of subsequent links.

Except as expressly indicated in writing, Vishay products are not designed for use in medical, life-saving, or life-sustaining applications or for any other application in which the failure of the Vishay product could result in personal injury or death. Customers using or selling Vishay products not expressly indicated for use in such applications do so at their own risk. Please contact authorized Vishay personnel to obtain written terms and conditions regarding products designed for such applications.

No license, express or implied, by estoppel or otherwise, to any intellectual property rights is granted by this document or by any conduct of Vishay. Product names and markings noted herein may be trademarks of their respective owners.