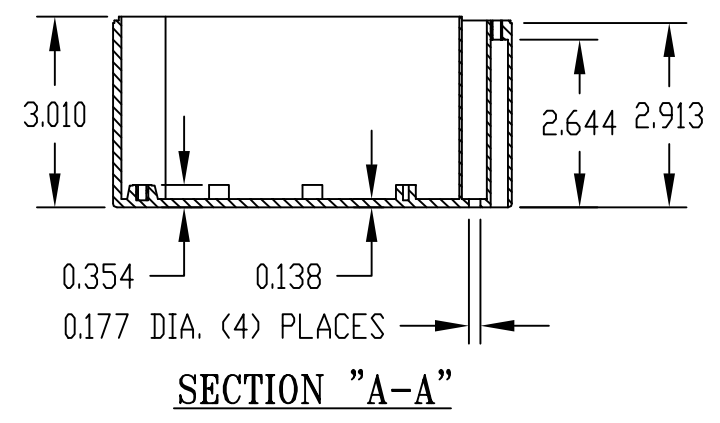
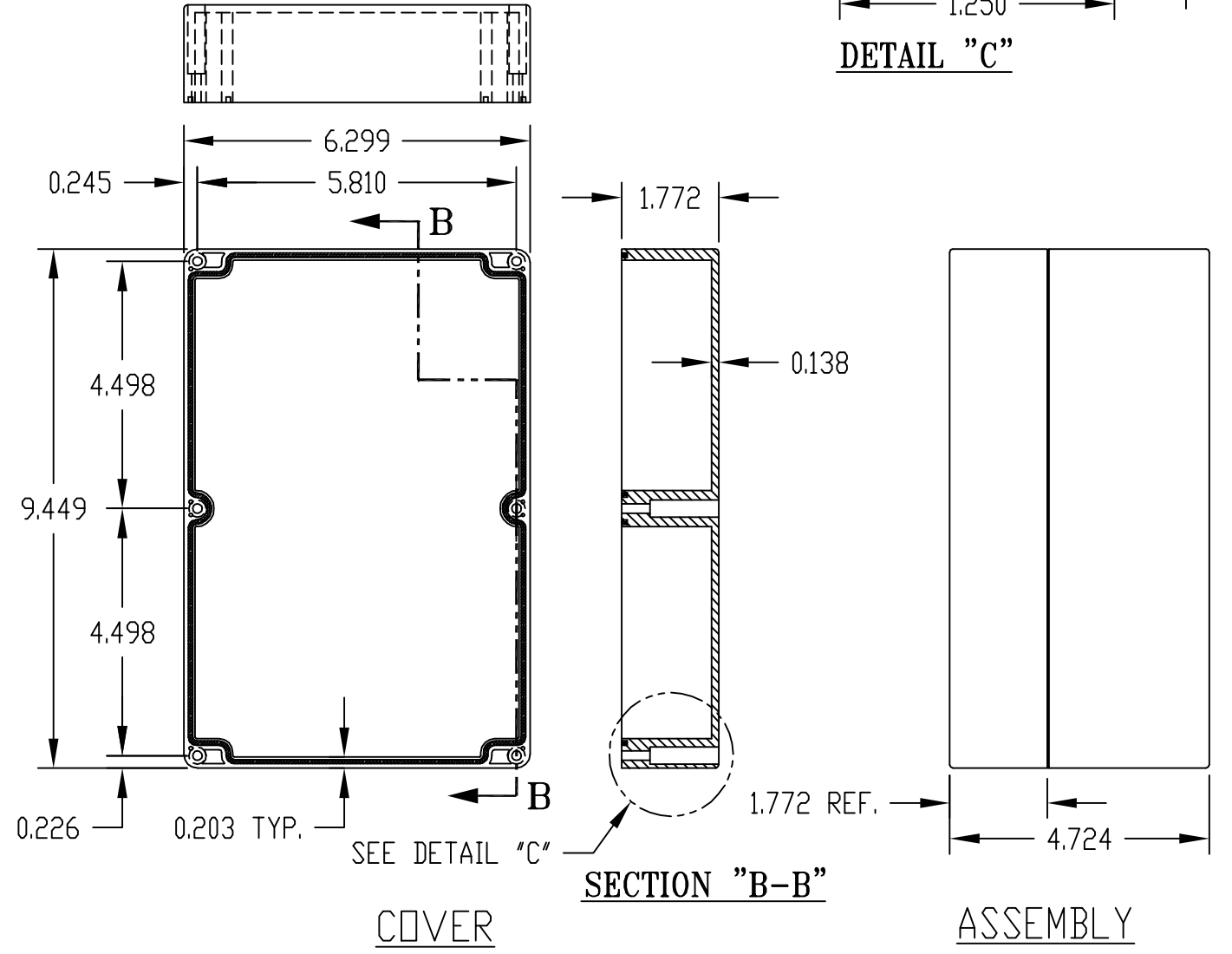
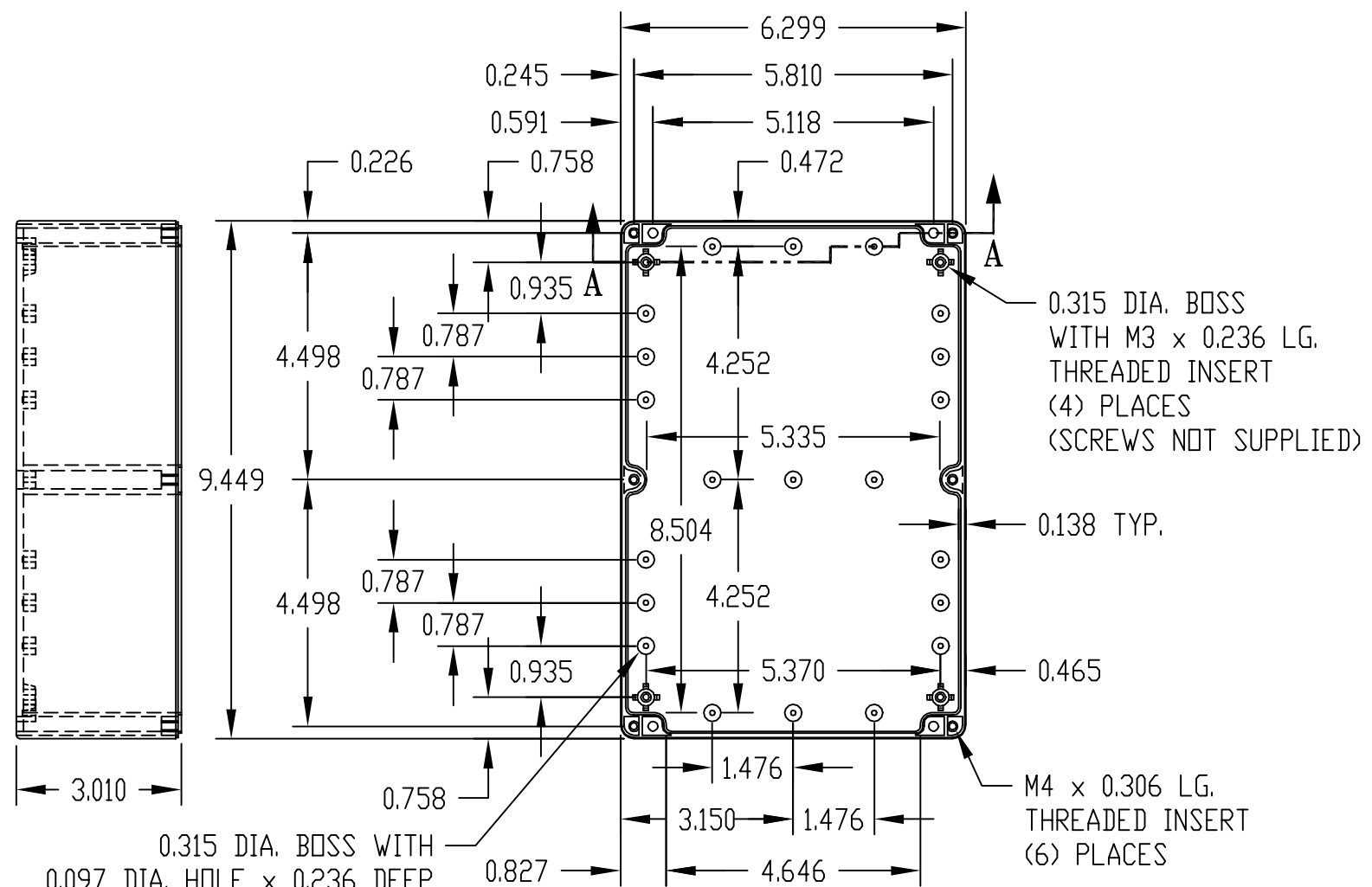
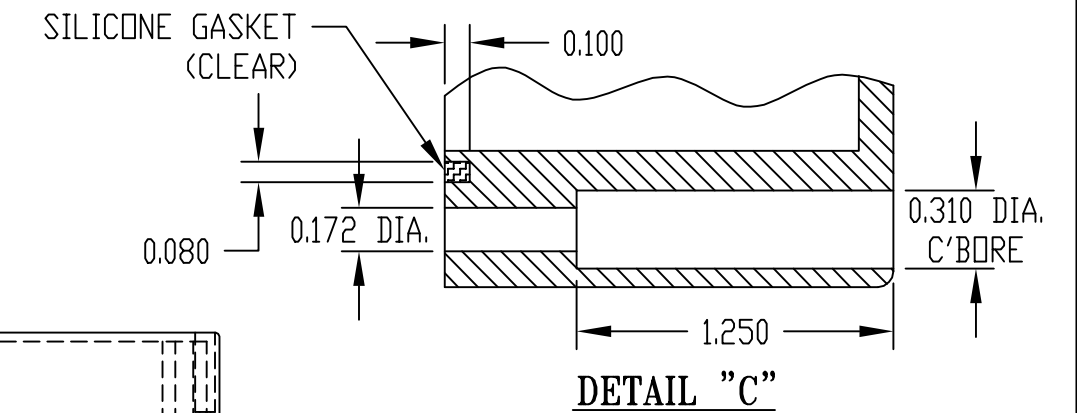


PART NAME	NEMA 4X ENCLOSURE	PART No.	PN-1341, PN-1341-C AND PN-1341-DG	REV. DATE	6-20-11
-----------	-------------------	----------	-----------------------------------	-----------	---------

INDUSTRY STANDARDS:

- POLYCARBONATE (LIGHT GRAY AND CLEAR)
 - UL94-HB FLAMMABILITY RATING (UL FILE #E41613)
 - UV STABILIZED
 - SERVICE TEMPERATURE RANGE: -40°C TO +120°C
- ABS (DARK GRAY)
 - UL94-HB FLAMMABILITY RATING (ULFILE #E560700)
 - SERVICE TEMPERATURE RANGE: -40°C TO +80°C



NOTE: ALL DIMENSIONS HAVE ±0.015 TOLERANCE UNLESS OTHERWISE SPECIFIED.

PART NUMBER	MATERIAL		FINISH		HARDWARE KIT
	BODY	COVER	BODY	COVER	
PN-1341	POLYCARBONATE		LIGHT GRAY		KIT CONTAINS (6) M4 x 20mm (0.787") LG. SCREWS FOR ASSEMBLY
PN-1341-C	POLYCARBONATE		LIGHT GRAY	CLEAR	
PN-1341-DG	HIGH-IMPACT ABS		DARK GRAY		