

SICR10650 SICRF10650

650V SIC POWER SCHOTTKY RECTIFIER

Description

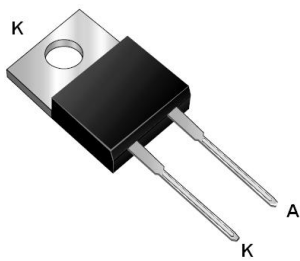


SICR10650/ SICRF10650 are all single SiC Schottky rectifiers packaged in TO-220AC, ITO-220AC case. The device is a high voltage Schottky rectifier that has very low total conduction losses and very stable switching characteristics over temperature extremes. The SICR12600/ SICRF12600 are ideal for energy sensitive, high frequency applications in challenging environments.

Features

- 175°C T_J operation
- Ultra-low switching loss
- Switching speeds independent of operating temperature
- Low total conduction losses
- High forward surge current capability
- High package isolation voltage
- Guard ring for enhanced ruggedness and long term reliability
- Pb – Free Device
- All SMC parts are traceable to the wafer lot
- Additional electrical and life testing can be performed upon request

Applications

- Alternative energy inverters
- Power Factor Correction (PFC)
- Free-Wheeling diodes
- Switching supply output rectification
- Reverse polarity protection

<p>SICR10650</p> 	<p>SICRF10650</p> 
TO-220AC	ITO-220AC
	

Maximum Ratings:

Characteristics	Symbol	Condition	Max.	Units
Peak Repetitive Reverse Voltage	V _{RRM}	-	650	V
Working Peak Reverse Voltage	V _{RWM}			
DC Blocking Voltage	V _R			
Average Rectified Forward Current	I _{F(AV)}	50% duty cycle @T _c =150°C, rectangular wave form	10	A
Peak One Cycle Non-Repetitive Surge Current	I _{FSM}	8.3ms, Half Sine pulse, T _c = 25 °C	110	A

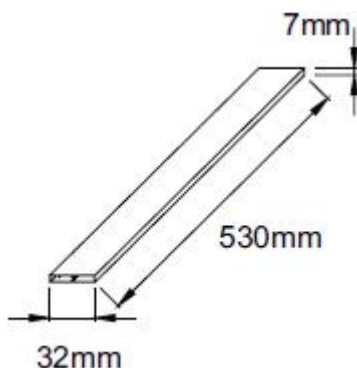
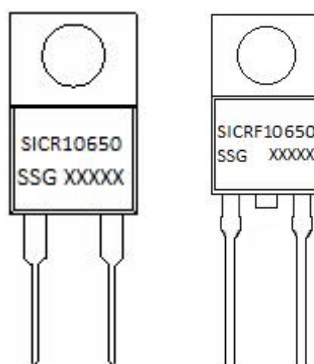
Electrical Characteristics:

Characteristics	Symbol	Condition	Typ.	Max.	Units
Forward Voltage Drop*	V _{F1}	@ 10A, Pulse, T _J = 25 °C	1.51	1.7	V
	V _{F2}	@ 10A, Pulse, T _J = 175 °C	1.75	2.5	V
Reverse Current at DC condition*	I _{R1}	@V _R = rated V _R T _J = 25 °C	25	100	μA
Reverse Current *	I _{R2}	@V _R = rated V _R T _J = 175 °C	32	200	μA
Junction Capacitance	C _T	@V _R = 0V, T _C = 25 °C, f _{SIG} = 1MHz	695	740	pF
		@V _R = 200V, T _C = 25 °C, f _{SIG} = 1MHz	73	78	
		@V _R = 400V, T _C = 25 °C, f _{SIG} = 1MHz	70	75	
Voltage Rate of Change	dv/dt	-	-	10,000	V/μs

* Pulse width < 300 μs, duty cycle < 2%

Thermal-Mechanical Specifications:

Characteristics	Symbol	Condition	Specification	Units
Junction Temperature	T _J	-	-55 to +175	°C
Storage Temperature	T _{stg}	-	-55 to +175	°C
Typical Thermal Resistance Junction to Case	R _{θJC}	DC operation	1.36	°C/W
Approximate Weight	wt	-	1.8	g
Case Style		TO-220AC		

Tube Specification

Marking Diagram


Where XXXXX is YYWWL

SICR = Device Type
 F = Package type
 10 = Forward Current (10A)
 650 = Reverse Voltage (650V)
 SSG = SSG
 YY = Year
 WW = Week
 L = Lot Number

Cautions: Molding resin
 Epoxy resin UL:94V-0

Ratings and Characteristics Curves

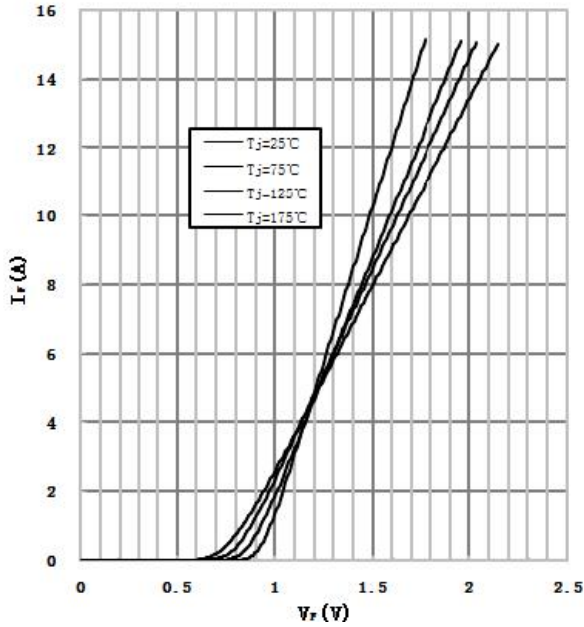


Fig.1-Typical Forward Voltage Characteristics

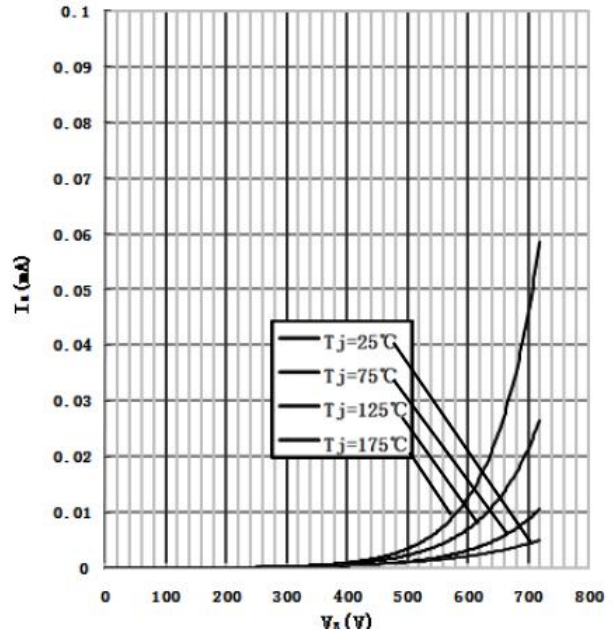


Fig.2-Typical Reverse Characteristics

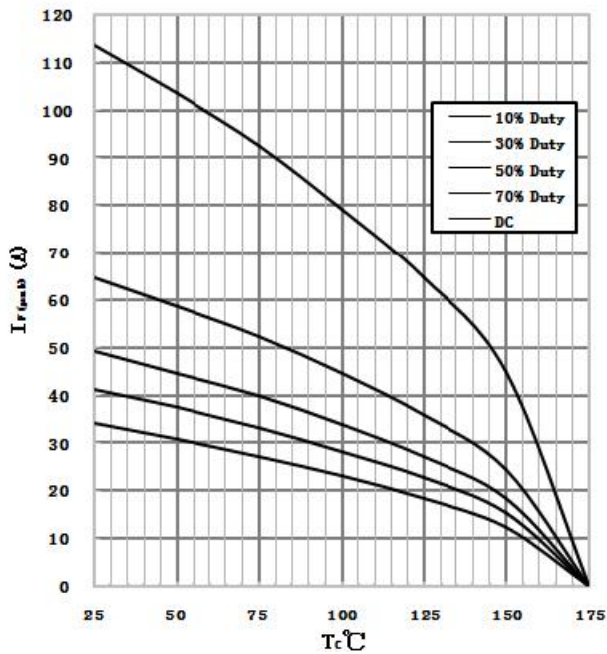


Fig.3-Forward Current Derating Curve

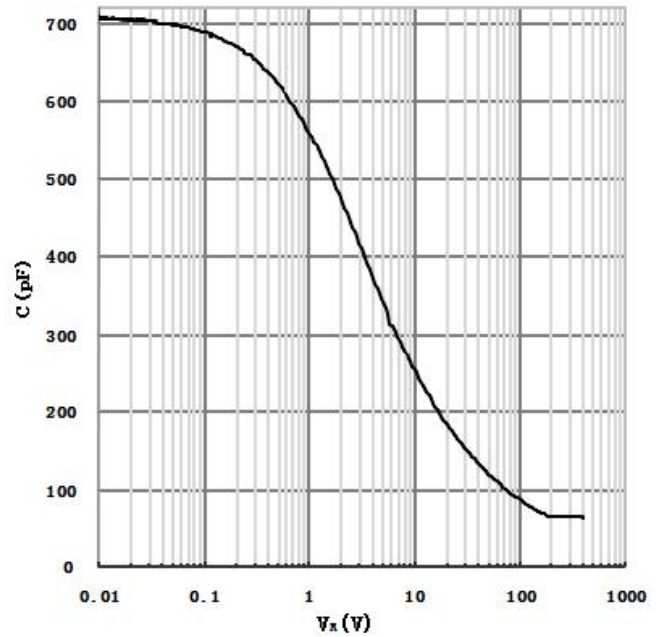
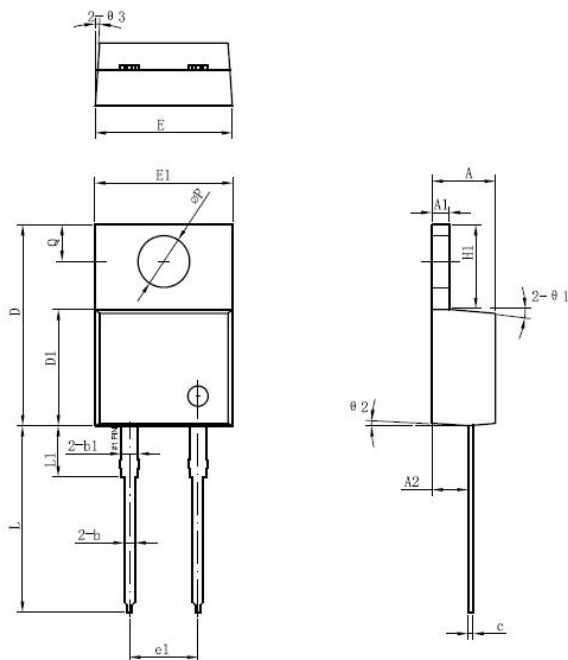


Fig.4-Typical Junction Capacitance

Mechanical Dimensions TO-220AC



Symbol	Dimensions in millimeters		
	Min.	Typical	Max.
A	4.40	4.70	4.85
A1	1.17	1.27	1.37
A2	2.40	2.69	2.89
b	0.61	0.81	0.96
b1	1.17	1.27	1.37
c	0.31	0.38	0.70
D	14.64	14.94	15.75
D1	8.50	8.07	8.90
E	10.00	10.16	10.40
E1	9.98	10.18	10.38
e1	4.95	5.08	5.18
H1	6.04	6.24	6.60
L	13.00	13.86	14.08
L1	3.50	3.80	3.96
ΦP	3.74	3.84	4.04
Q	2.54	2.74	2.95
Θ1		5°	
Θ2		4°	
Θ3		4°	

Ordering Information

Device	Package	Plating	Weight	Shipping
SICR10650	TO-220AC	Pure Sn	1.8g	50pcs / tube
SICRF10650	ITO-220AC	Pure Sn	1.8g	50pcs / tube

For information on tape and reel specifications, including part orientation and tape sizes, please refer to our tape and reel packaging specification.

DISCLAIMER:

- 1- The information given herein, including the specifications and dimensions, is subject to change without prior notice to improve product characteristics. Before ordering, purchasers are advised to contact the SMC - Sangdest Microelectronics (Nanjing) Co., Ltd sales department for the latest version of the datasheet(s).
- 2- In cases where extremely high reliability is required (such as use in nuclear power control, aerospace and aviation, traffic equipment, medical equipment, and safety equipment), safety should be ensured by using semiconductor devices that feature assured safety or by means of users' fail-safe precautions or other arrangement.
- 3- In no event shall SMC - Sangdest Microelectronics (Nanjing) Co., Ltd be liable for any damages that may result from an accident or any other cause during operation of the user's units according to the datasheet(s). SMC - Sangdest Microelectronics (Nanjing) Co., Ltd assumes no responsibility for any intellectual property claims or any other problems that may result from applications of information, products or circuits described in the datasheets.
- 4- In no event shall SMC - Sangdest Microelectronics (Nanjing) Co., Ltd be liable for any failure in a semiconductor device or any secondary damage resulting from use at a value exceeding the absolute maximum rating.
- 5- No license is granted by the datasheet(s) under any patents or other rights of any third party or SMC - Sangdest Microelectronics (Nanjing) Co., Ltd.
- 6- The datasheet(s) may not be reproduced or duplicated, in any form, in whole or part, without the expressed written permission of SMC - Sangdest Microelectronics (Nanjing) Co., Ltd.
- 7- The products (technologies) described in the datasheet(s) are not to be provided to any party whose purpose in their application will hinder maintenance of international peace and safety nor are they to be applied to that purpose by their direct purchasers or any third party. When exporting these products (technologies), the necessary procedures are to be taken in accordance with related laws and regulations..