

CM2021Y330R-10

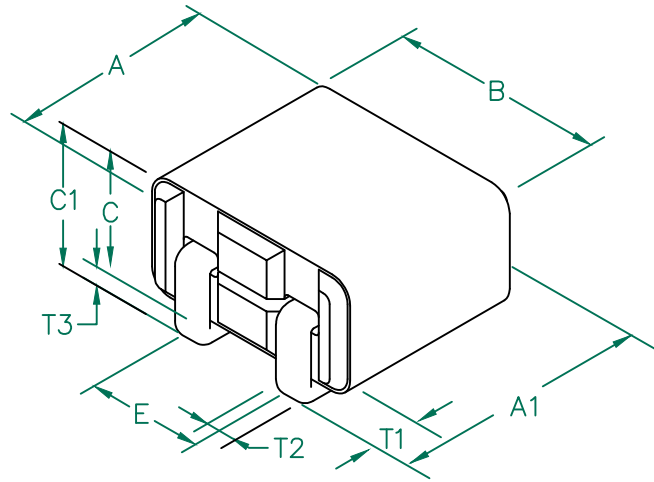
PHYSICAL DIMENSIONS:

| | | |
|----|-------------|---------------|
| A | 5.00 [.197] | ± 0.15 [.006] |
| A1 | 5.88 [.231] | MAX. |
| B | 5.60 [.220] | ± 0.10 [.004] |
| C | 2.85 [.112] | ± 0.07 [.003] |
| C1 | 3.80 [.150] | MAX |
| E | 2.84 [.112] | ± 0.10 [.004] |

WIRE DIMENSIONS:

| | | |
|----|-------------|---------------|
| T1 | 1.75 [.069] | ± 0.13 [.005] |
| T2 | 0.81 [.032] | REF. |
| T3 | 0.43 [.017] | REF. |
| T4 | 0.86 [.034] | MAX. |

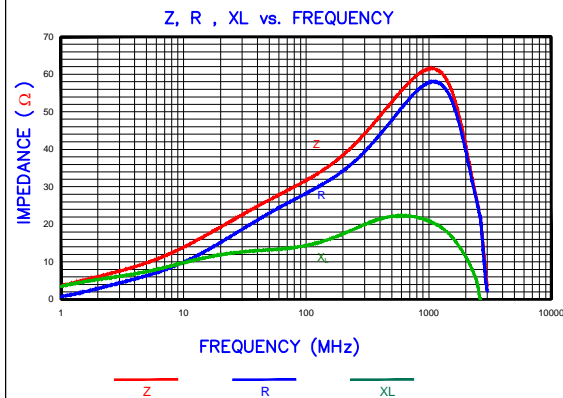
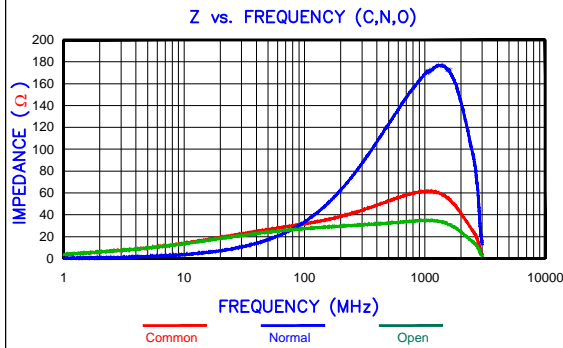
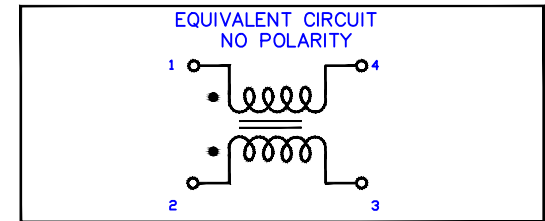
RoHS



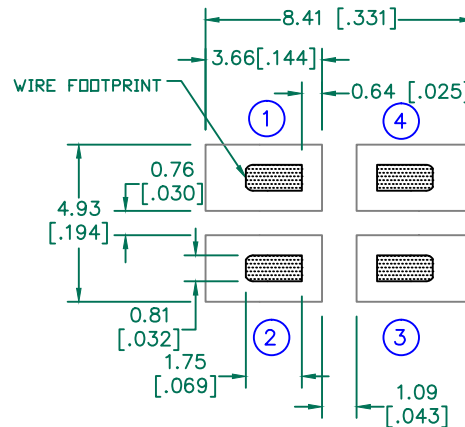
| | Z in (Ω) | | | DCR (Ω) | Rated Current (Continuous) | Rated Voltage (VDC) |
|----------------|----------|-----------|-----------|---------|----------------------------|---------------------|
| | ● 25 MHz | ● 100 MHz | ● 300 MHz | | | |
| Nominal (Ref.) | 20 | 33 | 36 | | | |
| Minimum | - | 25 | - | | | |
| Maximum | - | - | - | .00075 | 15,000 mA | 280 |

NOTES: UNLESS OTHERWISE SPECIFIED

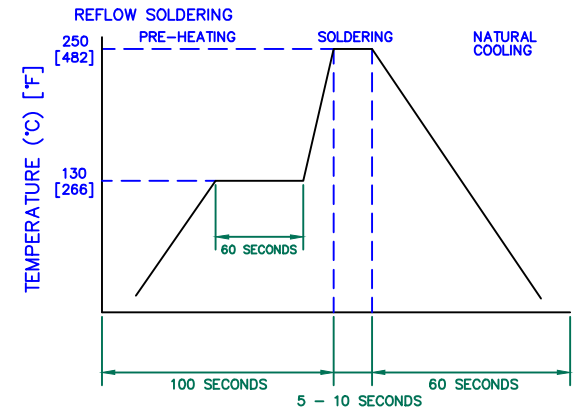
1. TAPED AND REELED per CURRENT EIA SPECIFICATIONS, 13" REELS, 2000 PCS PER REEL
2. COMPONENTS SHOULD BE ADEQUATELY PREHEATED BEFORE SOLDERING.
3. REF.CARRIER TAPE SPECIFICATION – CART2021-1P
4. THIS PART HAS NO PIN POLARITY.
5. TERMINATION FINISH IS 100% TIN.
6. OPERATION TEMPERATURE (INCLUDING SELF-HEATING): -40 ~ +125°C.



LAND PATTERNS FOR REFLOW SOLDERING



RECOMMENDED SOLDERING CONDITIONS



UNCONTROLLED DOCUMENT

| DIMENSIONS ARE IN mm [INCHES]. | | | | This print is the property of Laird Tech. and is loaned in confidence subject to return upon request and with the understanding that no copies shall be made without the written consent of Laird Tech. All rights to design or invention are reserved. | | | |
|--|------------------------------|----------|-----|---|---------------|----------------------------|----------------------|
| J | CHANGE NOTE 1 & 3 | 12/11/14 | QIU | | | | |
| H | ADD RATED VOLTAGE AND NOTE 6 | 06/24/13 | QIU | | | | |
| G | UPDATE COMPANY LOGO | 04/28/09 | JRK | | | | |
| F | CHANGE CORE P/N ON SHEET 3 | 11/13/07 | JRK | | | | |
| E | UPDATE COMPANY LOGO | 05/17/07 | JRK | | | | |
| PROJECT/PART NUMBER: CM2021Y330R-10 | | | | REV | J | PART TYPE: ASSEMBLY | DRMAN BY: JRK |
| DATE: 07/27/05 | | | | SCALE: 7 : 1 | SHEET: 1 of 2 | | |
| CAD # CM2021Y330R-10-J-1 | | | | TOOL # H0220 | | | |
| REV | DESCRIPTION | DATE | INT | | | | |