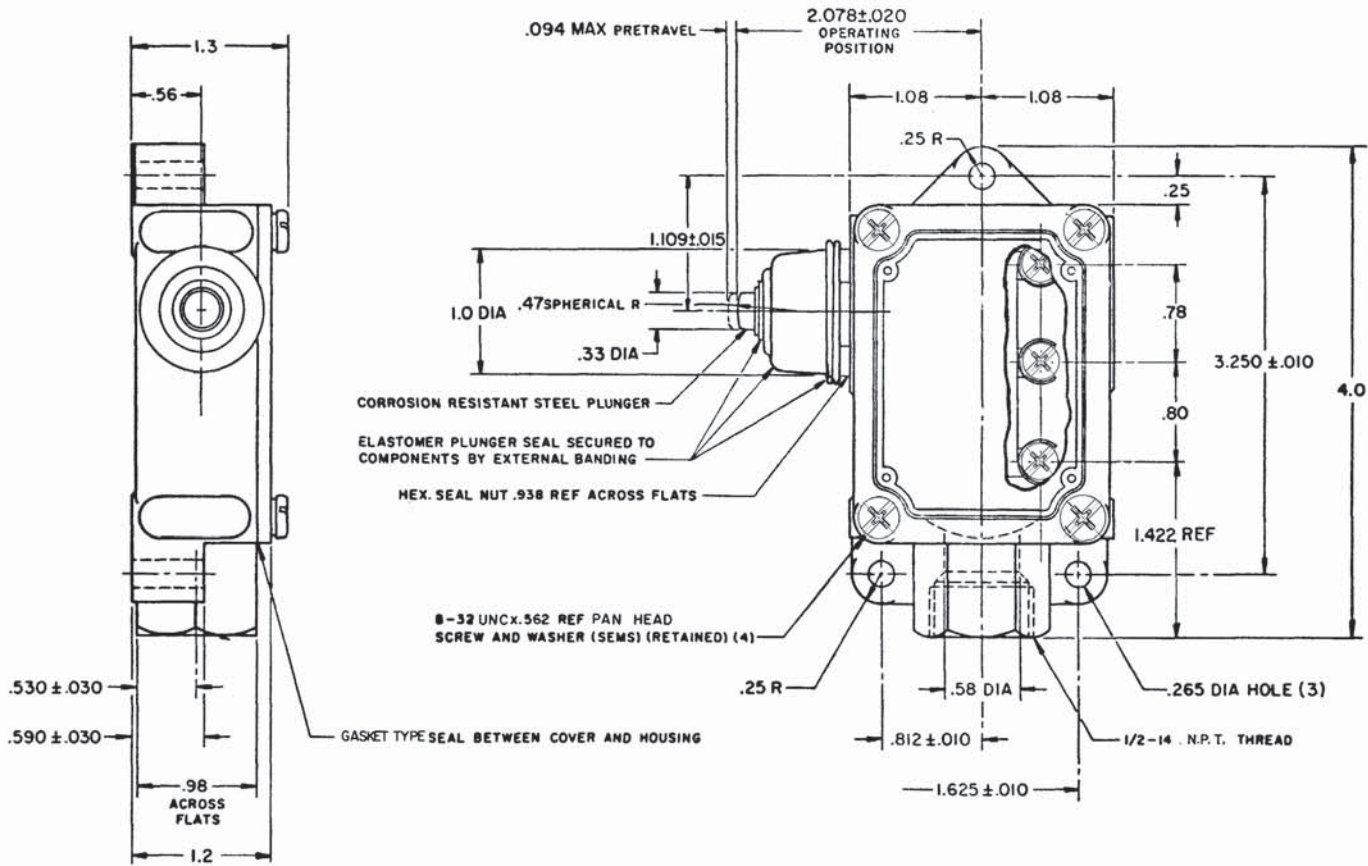


MICRO SWITCH
 a Honeywell Division

DWITCH-ENCLOSED



CATALOG LISTING
BZFI-2RN-RH
 (RIGHT HAND)

FED. MFG. CODE 91929



THIS DRAWING COVERS A PROPRIETARY ITEM AND IS THE PROPERTY OF MICRO SWITCH, A DIVISION OF HONEYWELL. THIS DRAWING IS NOT TO BE COPIED OR USED WITHOUT THE APPROVAL OF MICRO SWITCH.



CHARACTERISTICS	ELECTRICAL DATA
OPERATING FORCE ----- 2 LB MAX	CONTACT ARRANGEMENT S P D T
RELEASE FORCE ----- 1/2 LB MIN	-L96- 15 A - 125, 250, OR 480 VAC 1/2 A - 125 VDC; 1/4 A - 250 VDC 1/8 HP - 125 VAC; 1/4 HP - 250 VAC
DIFFERENTIAL TRAVEL ----- .004 MAX	 
OVERTRAVEL ----- .219 MIN	
BASIC SWITCH REPLACEMENT BZ-2R70B-P7	

SCALE	DO NOT SCALE PRINT
FULL	UNLESS OTHERWISE SPECIFIED TOLERANCES ARE
	ONE PLACE (.01) $\pm .030$
	TWO PLACE (.00) $\pm .015$
	THREE PLACE (.000) $\pm .005$
	ANGLES \pm
	WEIGHT .500 LB

NOTE

1 - 8-32 UNC X (.219) BINDER HEAD, COMBINATION, TERMINAL SCREWS AND CUPWASHERS (SEMS) (3)