

Specifications

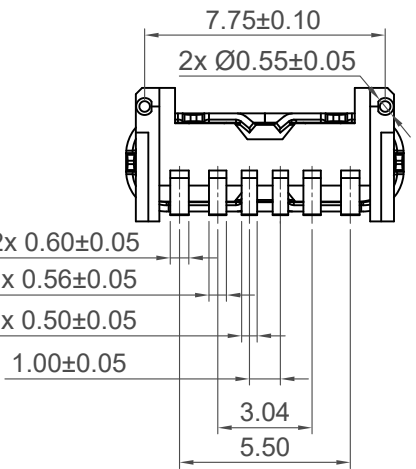
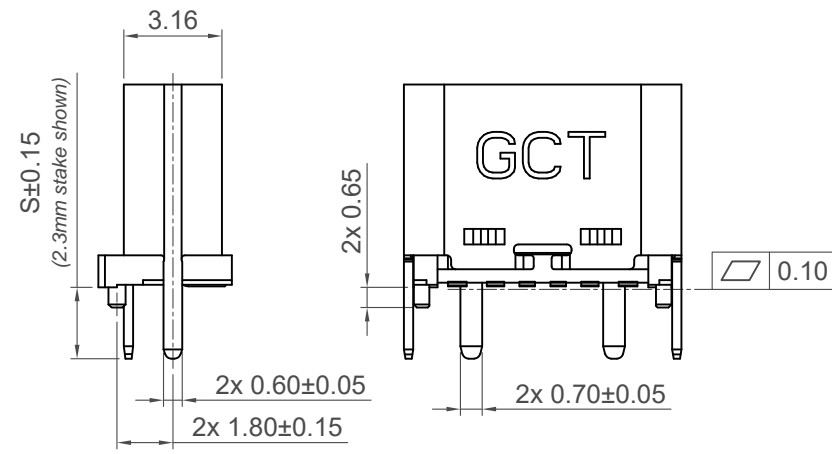
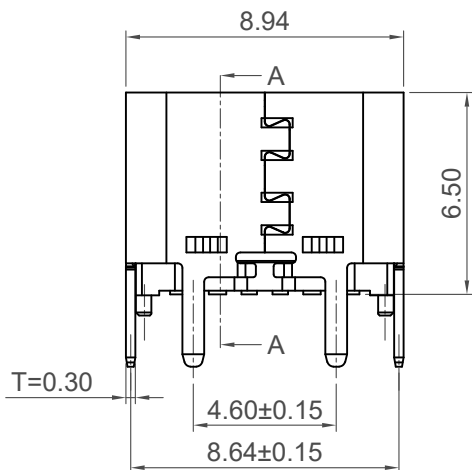
Material
 Insulator: PA9T, UL 94V-0, Black
 Contact: Copper Alloy
 Shell: Stainless Steel
 Middle Plate: Stainless Steel

Plating
 Contact
 Contact Area: Gold Flash Over 50µ" min. Nickel
 Solder Tails: Gold Flash Over 50µ" min. Nickel
 Shell: 30µ" min. Nickel
 Middle Plate: Clear

Electrical
 Current Rating: 3.00A collectively for VBUS pins
 4.25A collectively for GND pins
 1.25A for A5/B5 pin

Voltage Rating: 20V DC
 Contact Resistance: 40mΩ max initial.
 50mΩ max after test
 Dielectric Withstanding Voltage: 100V AC
 Insulation Resistance 100MΩ min

Mechanical & Environmental
 Operating Temperature: -25°C to +85°C
 Mating Force: 5 to 20 N.
 Unmated Force: 6 to 20 N after test
 Durability: 20K cycles



Ordering Grid
 USB4140 - GF - XXXX - C [Request Samples and Quotation](#)
Contact Plating
 GF = Gold Flash
Packing Options
 C = Tape & Reel with Cap (400 per reel)

Shell Stake Length "S"
 0070 = 0.70mm
 0170 = 1.70mm
 0230 = 2.30mm

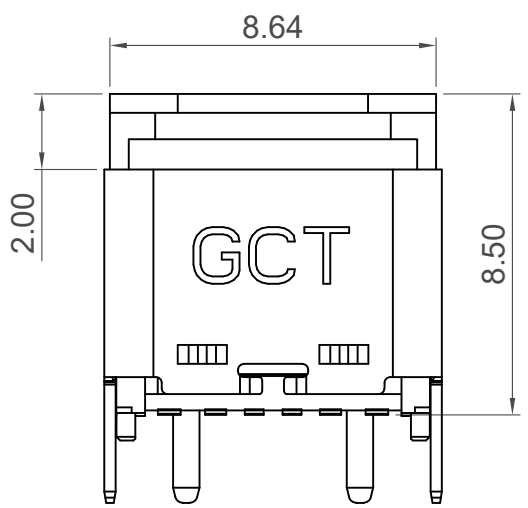
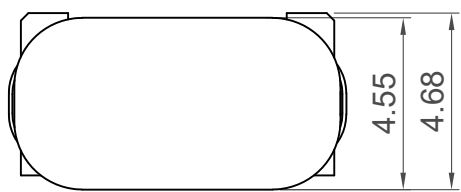
Part Number		Product Description	
USB4140		USB Type C Receptacle, Vertical, SMT, For Power charging only, H=6.50mm, 6 Pin	
Drawing Date		25th February 2022	
By	CC	Tolerances (Except as Noted)	Units:
Detail	Drawing Release	Length	Metric (mm)
Revision	A1	Angle	
Date	27/06/22	X.X ± 0.30	
		X.XX ± 0.20	
		X.XXX ± 0.10	



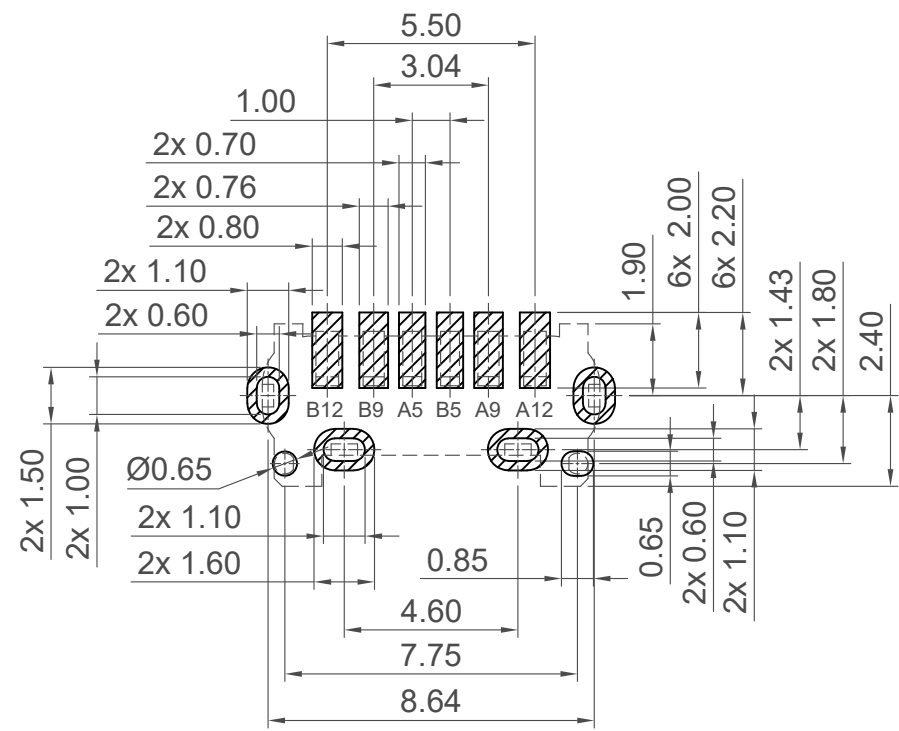
This drawing is confidential and copyright of Global Connector Technology, Ltd (GCT). This drawing must not be copied or disclosed without written consent. E & OE



Not to Scale	Drawn By CC	Sheet No. 1/4
--------------	-------------	---------------



Cap Information



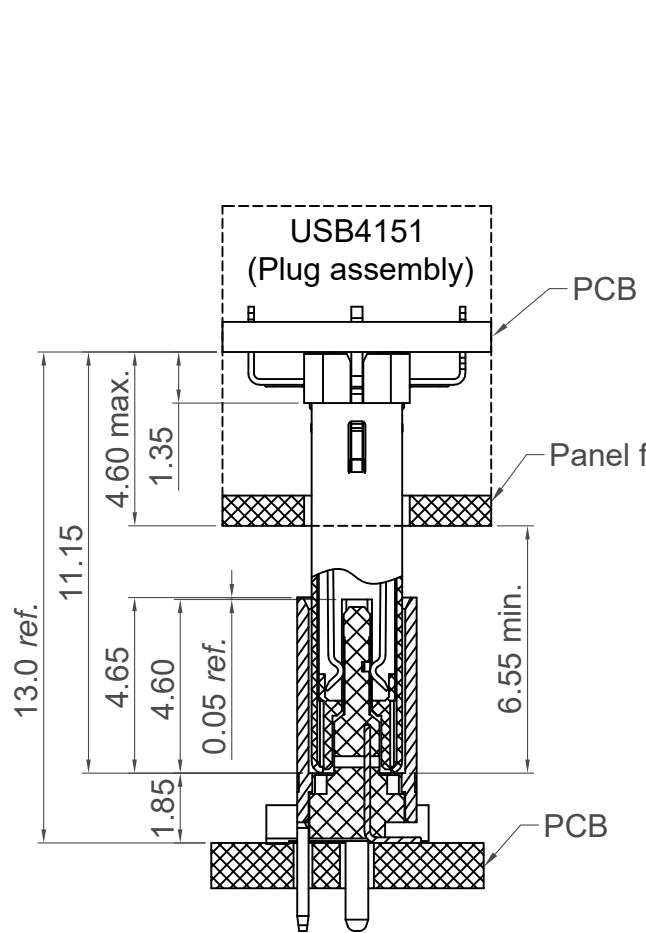
Recommended PCB Layout

Tolerance: ±0.05mm

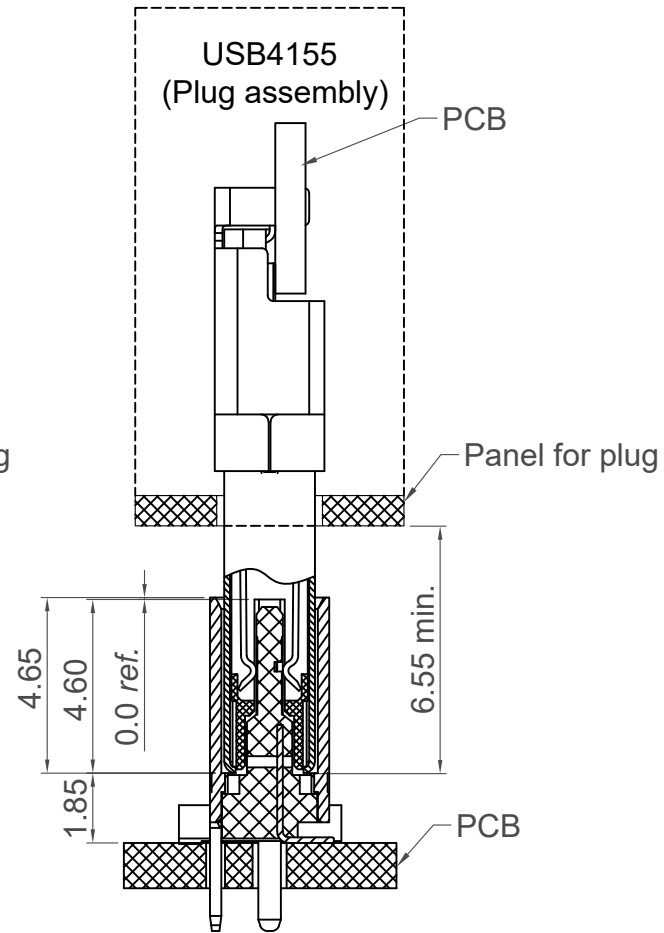
▨ Solder Area □ Component Outline

Pin	Signal	Mating Sequence
A5	CC1	Second
A9	Vbus	First
A12	GND	First
B5	CC2	Second
B9	Vbus	First
B12	GND	First
SHELL		GND

Part Number		Product Description		 www.gct.co
USB4140		USB Type C Receptacle, Vertical, SMT, For Power charging only, H=6.50mm, 6 Pin		
Drawing Date		25th February 2022		
By	CC	Tolerances (Except as Noted)	Units:	 This drawing is confidential and copyright of Global Connector Technology, Ltd (GCT). This drawing must not be copied or disclosed without written consent. E & OE
Detail	Drawing Release	Length	Angle	
Revision	A1	X.X ± 0.30	Metric (mm)	
Date	27/06/22	X.XX ± 0.20		
		X.XXX ± 0.10		
Not to Scale		Drawn By	CC	Sheet No.
				2/4

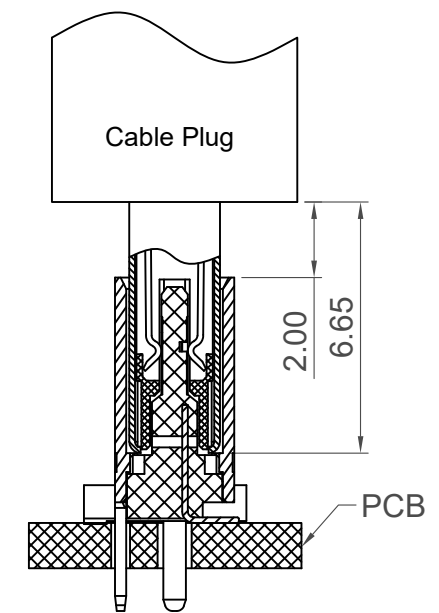


USB4140
(Receptacle assembly)



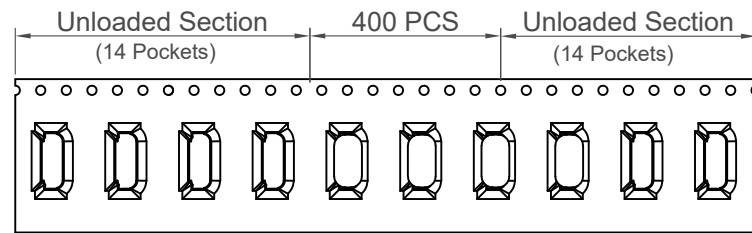
USB4140
(Receptacle assembly)

Plug and Receptacle Mating View



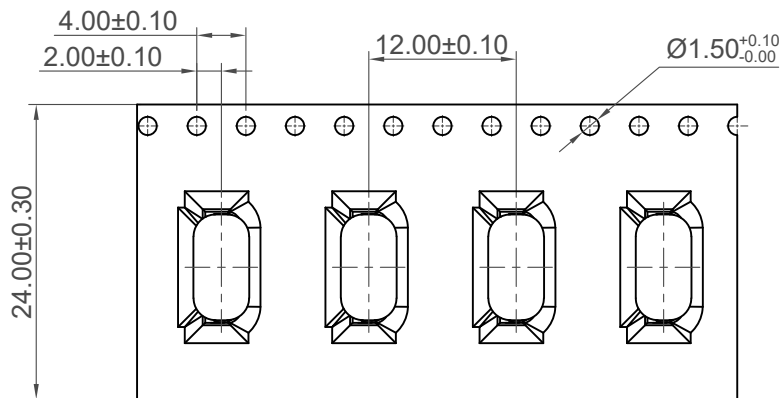
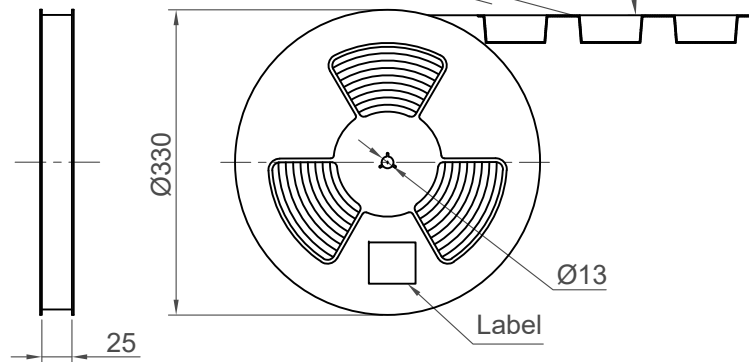
USB4140
(Receptacle assembly)

Part Number		Product Description	
USB4140		USB Type C Receptacle, Vertical, SMT, For Power charging only, H=6.50mm, 6 Pin	
Drawing Date		25th February 2022	
By	CC	Tolerances (Except as Noted)	Units:
Detail	Drawing Release	Length X.X ± 0.30	Metric (mm)
Revision	A1	Angle X.XX ± 0.20	 3rd Angle Projection
Date	27/06/22	X.XXX ± 0.10	
		 Deca-SIDE	
		 This drawing is confidential and copyright of Global Connector Technology, Ltd (GCT). This drawing must not be copied or disclosed without written consent. E & OE	
Not to Scale	Drawn By CC	Sheet No. 3/4	 www.gct.co

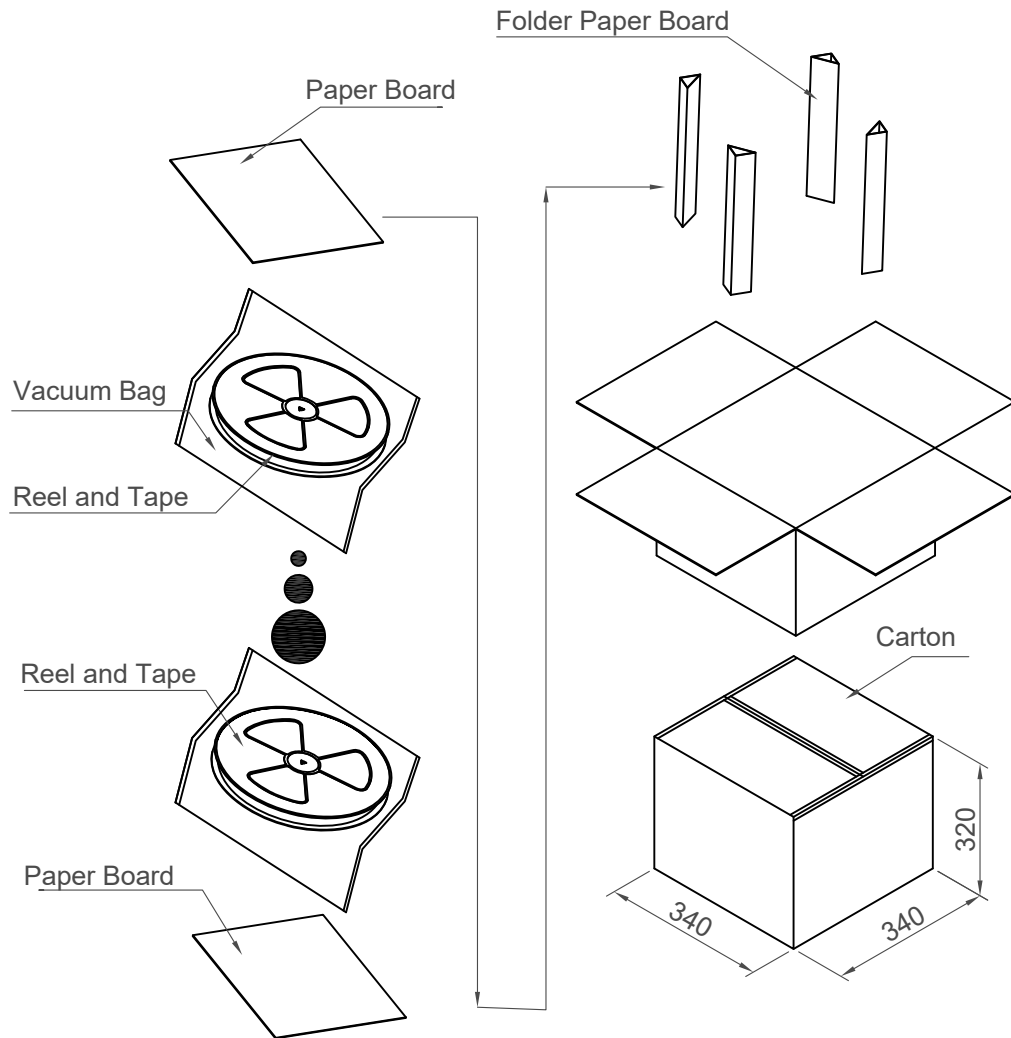


Direction of Unreeling

Peeling Angle 165°~180°



Direction of Unreeling



Pcs / Reel	Reels / Carton	Total Quantity
400	10	4,000 pcs

Part Number		Product Description	
USB4140		USB Type C Receptacle, Vertical, SMT, For Power charging only, H=6.50mm, 6 Pin	
Drawing Date		25th February 2022	
By	CC	Tolerances (Except as Noted)	Units:
Detail	Drawing Release	Length	Metric (mm)
Revision	A1	Angle	3rd Angle Projection
Date	27/06/22		



This drawing is confidential and copyright of Global Connector Technology, Ltd (GCT). This drawing must not be copied or disclosed without written consent. E & OE



Not to Scale
Drawn By CC
Sheet No. 4/4