

TPS720xxEVM-307

This user's guide describes the characteristics, operation, and use of the TPS720xxEVM-307 evaluation module (EVM). This EVM demonstrates the Texas Instruments TPS720xx tiny low dropout (LDO) linear regulator in a 5-pin WCSP package. The TPS720xx supplies up to 350 mA of output current at a fixed output voltage from a 1.1 V to 4.5 V input source. This user's guide includes setup instructions, test results, schematic diagram, bill of materials (BOM), and PCB layout drawings for the EVM.

Contents

1	Introduction	2
2	EVM Jumpers and Connectors	3
3	Operation	3
4	Test Results	4
5	Board Layout, Schematic and Bill of Materials	5

List of Figures

1	Startup From Enable of the TPS72015EVM-307 into 350 mA Load ($V_{IN} = 2V$, $V_{BIAS} = 2.9V$)	4
2	Load Transient of the TPS72015EVM-307, $V_{IN} = 2V$, $V_{BIAS} = 2.9V$, $I_{OUT} = 0mA$ to 300mA to 0mA	4
3	Top Assembly Layer.....	5
4	Top Layer	6
5	Bottom Layer	6
6	TPS720xxEVM-307 Schematic	7

List of Tables

1	Typical Performance Specification Summary	2
2	TPS720xxEVM-307 Jumpers and Connectors.....	3
3	Bill of Materials	8

1 Introduction

The TPS720xxEVM-307 evaluation module (EVM) assists designers in evaluating the operation and performance of the TPS720xx low dropout (LDO) linear regulator. This LDO provides up to 350 mA of output current at a fixed output programmed at the factory. The board features the 1,33-mm × 0,96-mm 5-pin WCSP package for a tiny solution size.

1.1 Related Documentation From Texas Instruments

TPS720xx, 350 mA Low Dropout Linear Regulator with Bias Pin in a 5-Pin WCSP Package data sheet ([SBVS100](#))

1.2 Performance Specification Summary

[Table 1](#) provides a summary of the TPS720xxEVM-307 performance specifications. All specifications are given for an ambient temperature of 25°C.

Table 1. Typical Performance Specification Summary

	CONDITION	VOLTAGE RANGE (V)			CURRENT RANGE (mA)		
		MIN	TYP	MAX	MIN	TYP	MAX
V _{BIAS} supply	TPS72013EVM-307 (HPA307-001)	2.7 ⁽¹⁾		5.5			5
	TPS72015EVM-307 (HPA307-002)	2.9 ⁽¹⁾		5.5			5
V _{IN} supply	TPS72013EVM-307 (HPA307-001)	1.5 ⁽¹⁾		4.5V or V _{BIAS} ⁽²⁾⁽³⁾			350
	TPS72015EVM-307 (HPA307-002)	1.7 ⁽¹⁾		4.5V or V _{BIAS} ⁽²⁾⁽³⁾			350
V _{OUT}	TPS72013EVM-307 (HPA307-001)	1.274	1.3	1.326			350 ⁽²⁾
V _{OUT}	TPS72015EVM-307 (HPA307-002)	1.47	1.5	1.53			350 ⁽²⁾

- (1) This is the minimum voltage to provide the maximum output current in the table assuming the typical V_{BIAS} voltage is applied. Lower output currents are achievable with lower V_{IN} and V_{BIAS} voltages. See the data sheet for V_{IN} to V_{OUT} and V_{BIAS} to V_{OUT} dropout data.
- (2) Linear regulator power dissipation is computed as P_D = (V_{IN} - V_{OUT}) × I_{OUT}. As specified in the data sheet, the regulator's package has a finite power dissipation rating depending on the ambient temperature, board type, and airflow. Using V_{IN} and/or V_{OUT} voltages other than the typical voltages recommended in the table or using the EVM in an environment with an ambient temperature higher than 25°C significantly reduces the maximum allowed output current. See the data sheet for the regulator package's thermal resistance data, and see TI application report *Digital Designer's Guide to Linear Voltage Regulators and Thermal Management* ([SLVA118](#)) for a full explanation.
- (3) The maximum allowable voltage on V_{IN} is the lesser of 4.5V or the voltage on V_{BIAS}, as specified in the datasheet.

1.3 Modifications

To aid user customization of the EVM, the board was designed with devices having 0603 or larger footprints. A real implementation likely occupies less total board space.

Changing components can improve or degrade EVM performance. For example, adding a larger output capacitor reduces output voltage undershoot but lengthens response time after a load transient event. Adding a larger input capacitor reduces droop at the V_{IN} pin that inductive leads from the V_{IN} power supply may cause during a load transient.

2 EVM Jumpers and Connectors

This section describes the jumpers and connectors on the EVM as well as how to properly connect, set up, and use the TPS720xxEVM-307.

Table 2. TPS720xxEVM-307 Jumpers and Connectors

JUMPER	DESCRIPTION	DIRECTIONS
J1 - pin 1	Input Bias Voltage Connection	Connect the lead from the power terminal of the bias input source to this input. The supply must be between 2.5 V and 5.5 V. The supply must also be at least 1.4 V above the output voltage.
J1 - pin 2	Input Bias Ground Connection	Connect the lead from the return terminal of the bias source to this input.
J2	Input V_{IN} Connection	Connect the lead from the power terminal of the input source to this input. The supply must be between 1.1 V and 4.5 V. The supply must be greater than 200 mV plus the output voltage.
J3	Input Ground Connection	Connect the lead from the return terminal of the input source to this input.
J4	Output V_{OUT} Connection	Connect the positive side of the load and/or output multimeter to this output.
J5	Output Ground Connection	Connect the lead from the return terminal of the load and/or output multimeter to this output.
JP1	V_{IN} and V_{BIAS} Connection	This jumper allows the user to use one supply to power the TPS720xxEVM-307. Place a shunt across the pins of JP1 to connect the V_{IN} and V_{BIAS} inputs. The J1 or the J2 connector may be used to supply the circuit with the shunt installed. In this mode, the supply must meet the requirements for both the V_{IN} and V_{BIAS} supplies. Remove the shunt to use separate supplies for each input.
JP2	EN	Enable input for the TPS720xxEVM-307. Place a shunt across the ON and EN pins of JP2 to enable the TPS720xxEVM-307. Place a shunt across the OFF and EN pins of JP2 to disable the TPS720xxEVM-307. A shunt must be installed on JP2 in either ON or OFF positions and EN should not be left unconnected.

3 Operation

Connect the positive input of the bias supply to the V_{BIAS} pin on J1 (pin 1). Connect the positive input power supply to the V_{IN} pins on J2. Connect the input bias supply return (ground) to pin 2 of J1. Connect the input power return (ground) for V_{IN} to the GND pin on J3. The TPS720xxEVM-307 has a maximum input voltage of 5V for V_{IN} and 6V for V_{BIAS} . The recommended maximum operating input voltage is 4.5 V for V_{IN} and 5.5V for V_{BIAS} .

Connect the desired load between V_{OUT} (J4) and GND (J5). The TPS720xx supplies up to 350 mA of output current.

Configure jumpers JP1 and JP2 as described in the [TPS720xxEVM-307 Jumpers and Connectors](#) table.

4 Test Results

This section provides typical performance waveforms using the TPS720xxEVM-307 printed circuit board.

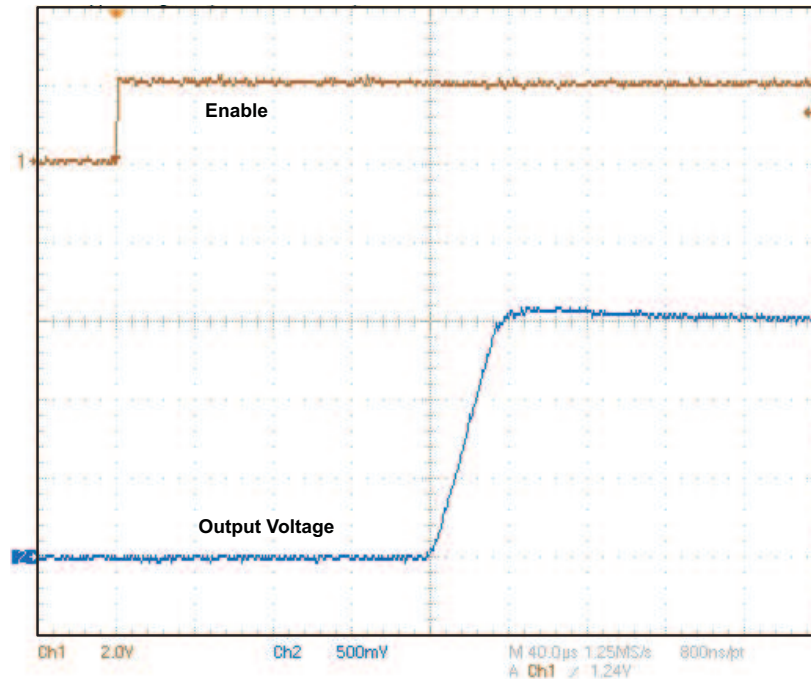


Figure 1. Startup From Enable of the TPS72015EVM-307 into 350 mA Load ($V_{IN} = 2V$, $V_{BIAS} = 2.9V$)

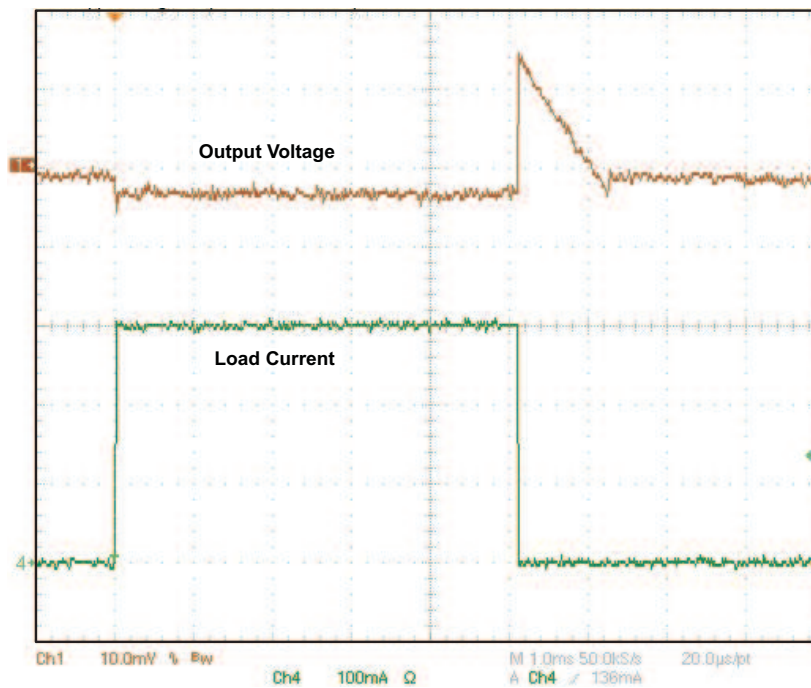


Figure 2. Load Transient of the TPS72015EVM-307, $V_{IN} = 2V$, $V_{BIAS} = 2.9V$, $I_{OUT} = 0mA$ to 300mA to 0mA

5 Board Layout, Schematic and Bill of Materials

This section provides the TPS720xxEVM-307 board layout, schematic and bill of materials.

5.1 Board Layout

Board layout is important for all LDO power supplies. If the layout is not carefully done, the regulator could show stability problems. Therefore, use wide and short traces for the main current path and for the power ground tracks. The input and output capacitor should be placed as close as possible to the IC. [Figure 3](#) through [Figure 5](#) show the board layout for the TPS720xxEVM-307 PCB.

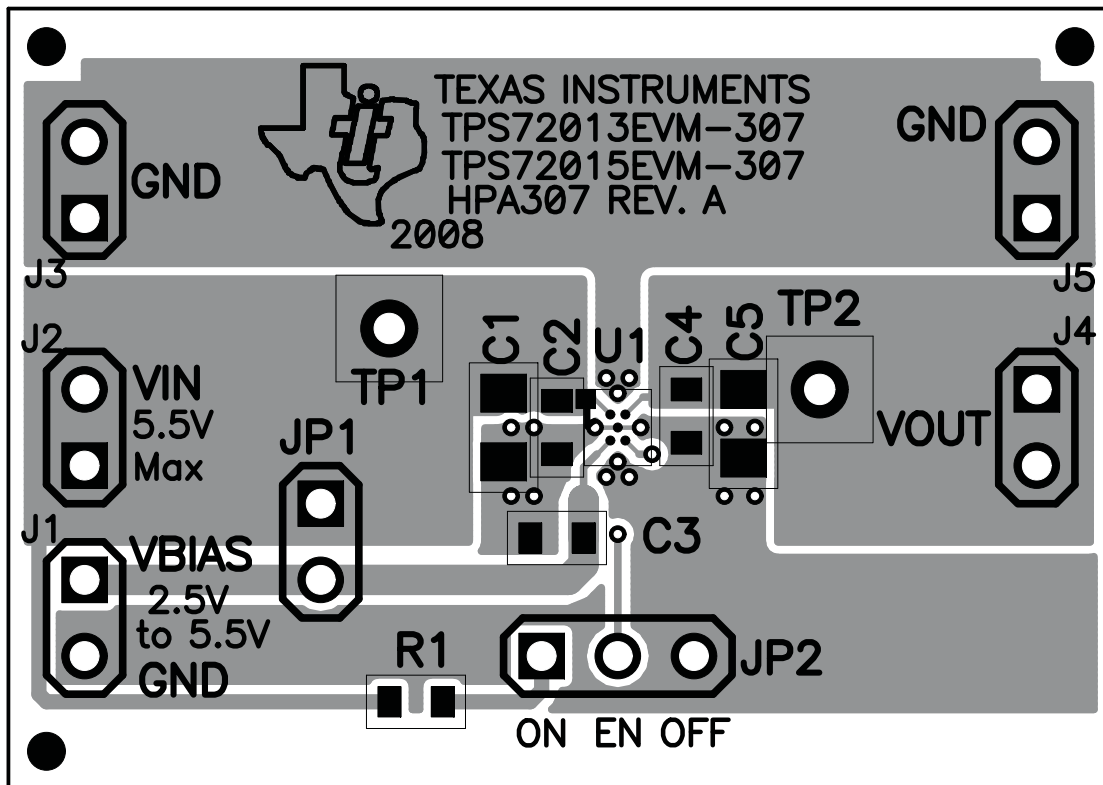


Figure 3. Top Assembly Layer

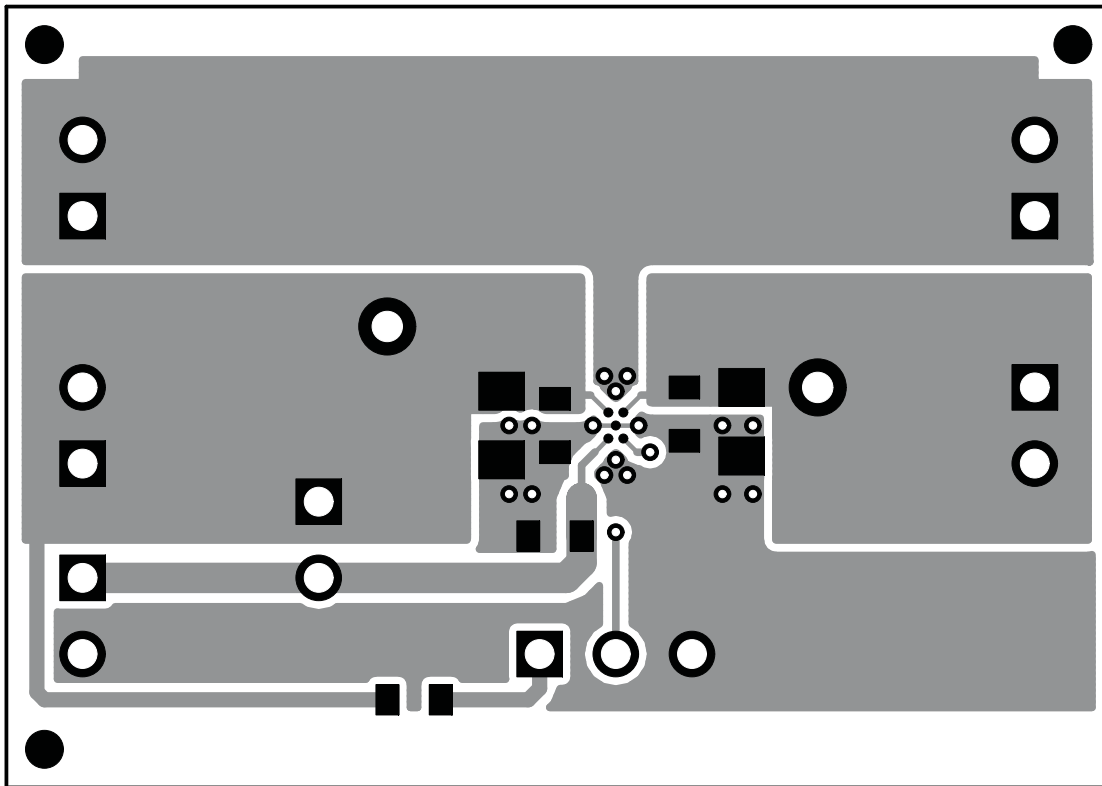


Figure 4. Top Layer

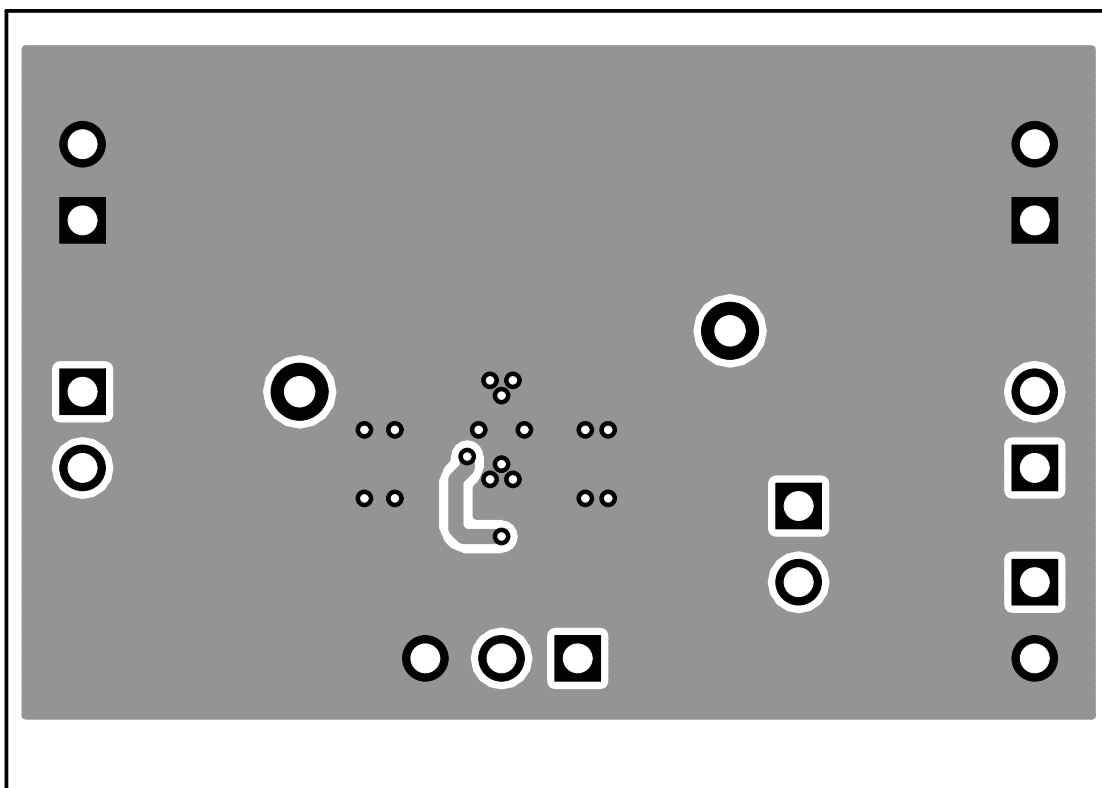


Figure 5. Bottom Layer

5.2 Schematic and Bill of Materials

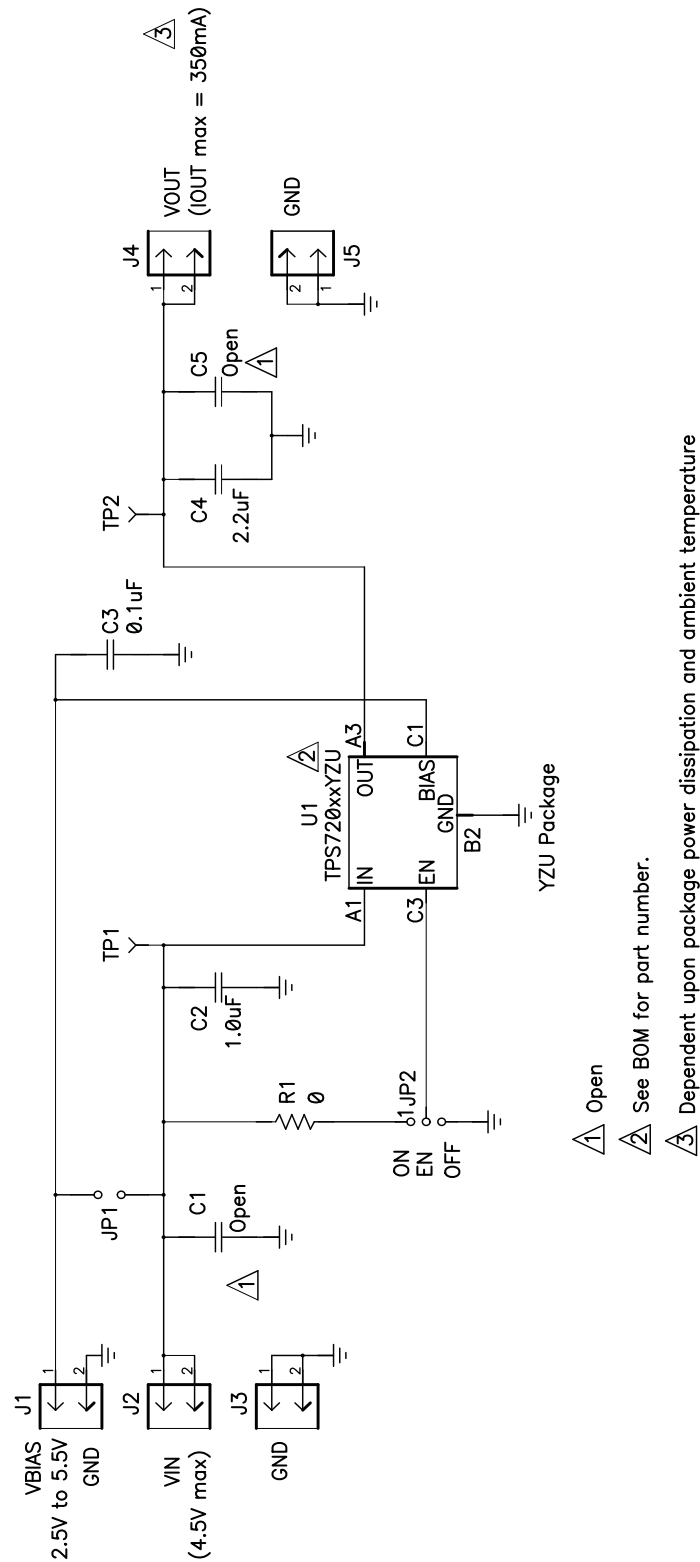


Figure 6. TPS720xxEVM-307 Schematic

Table 3. Bill of Materials

COUNT		RefDes	Value	Description	SIZE	Part Number	MFR
-001	-002						
0	0	C1	Open	Capacitor, Ceramic, 10V, X5R, 20%	0805	Std	Std
1	1	C2	1.0uF	Capacitor, Ceramic, 10V, X5R, 20%	0603	Std	Std
1	1	C3	0.1uF	Capacitor, Ceramic, 6.3V, X5R, 20%	0603	Std	Std
1	1	C4	2.2uF	Capacitor, Ceramic, 6.3V, X5R, 10%	0603	Std	Std
0	0	C5	Open	Capacitor, Ceramic, 6.3V, X5R, 10%	0805	Std	Std
1	1	R1	0	Resistor, Chip, 5%	0603	Std	Std
5	5	J1- J5	PTC36SAAN	Header, Male 2-pin, 100mil spacing, (36-pin strip)	0.100 inch x 2	PTC36SAAN	Sullins
1	1	JP1	PTC36SAAN	Header, 2-pin, 100mil spacing, (36-pin strip)	0.100 inch x 2	PTC36SAAN	Sullins
1	1	JP2	PTC36SAAN	Header, 3-pin, 100mil spacing, (36-pin strip)	0.100 inch x 3	PTC36SAAN	Sullins
2	2	TP1, TP2	5000	Test Point, Red, Thru Hole Color Keyed	0.100 x 0.100 inch	5000	Keystone
1	0	U1	TPS72013YZU	IC, LDO Linear Regulator With Bias Pin, 350mA	WCSP-5	TPS72013YZU	TI
0	1		TPS72015YZU	IC, LDO Linear Regulator With Bias Pin, 350mA	WCSP-5	TPS72015YZU	TI
2	2	-		Shunt, 100mil, Black	0.1	929950-00	3M
1	1	-		HPA307 Rev. A PCB	0.062"x1.025"x1.45"	HPA307	Any

EVALUATION BOARD/KIT IMPORTANT NOTICE

Texas Instruments (TI) provides the enclosed product(s) under the following conditions:

This evaluation board/kit is intended for use for **ENGINEERING DEVELOPMENT, DEMONSTRATION, OR EVALUATION PURPOSES ONLY** and is not considered by TI to be a finished end-product fit for general consumer use. Persons handling the product(s) must have electronics training and observe good engineering practice standards. As such, the goods being provided are not intended to be complete in terms of required design-, marketing-, and/or manufacturing-related protective considerations, including product safety and environmental measures typically found in end products that incorporate such semiconductor components or circuit boards. This evaluation board/kit does not fall within the scope of the European Union directives regarding electromagnetic compatibility, restricted substances (RoHS), recycling (WEEE), FCC, CE or UL, and therefore may not meet the technical requirements of these directives or other related directives.

Should this evaluation board/kit not meet the specifications indicated in the User's Guide, the board/kit may be returned within 30 days from the date of delivery for a full refund. **THE FOREGOING WARRANTY IS THE EXCLUSIVE WARRANTY MADE BY SELLER TO BUYER AND IS IN LIEU OF ALL OTHER WARRANTIES, EXPRESSED, IMPLIED, OR STATUTORY, INCLUDING ANY WARRANTY OF MERCHANTABILITY OR FITNESS FOR ANY PARTICULAR PURPOSE.**

The user assumes all responsibility and liability for proper and safe handling of the goods. Further, the user indemnifies TI from all claims arising from the handling or use of the goods. Due to the open construction of the product, it is the user's responsibility to take any and all appropriate precautions with regard to electrostatic discharge.

EXCEPT TO THE EXTENT OF THE INDEMNITY SET FORTH ABOVE, NEITHER PARTY SHALL BE LIABLE TO THE OTHER FOR ANY INDIRECT, SPECIAL, INCIDENTAL, OR CONSEQUENTIAL DAMAGES.

TI currently deals with a variety of customers for products, and therefore our arrangement with the user **is not exclusive.**

TI assumes **no liability for applications assistance, customer product design, software performance, or infringement of patents or services described herein.**

Please read the User's Guide and, specifically, the Warnings and Restrictions notice in the User's Guide prior to handling the product. This notice contains important safety information about temperatures and voltages. For additional information on TI's environmental and/or safety programs, please contact the TI application engineer or visit www.ti.com/esh.

No license is granted under any patent right or other intellectual property right of TI covering or relating to any machine, process, or combination in which such TI products or services might be or are used.

FCC Warning

This evaluation board/kit is intended for use for **ENGINEERING DEVELOPMENT, DEMONSTRATION, OR EVALUATION PURPOSES ONLY** and is not considered by TI to be a finished end-product fit for general consumer use. It generates, uses, and can radiate radio frequency energy and has not been tested for compliance with the limits of computing devices pursuant to part 15 of FCC rules, which are designed to provide reasonable protection against radio frequency interference. Operation of this equipment in other environments may cause interference with radio communications, in which case the user at his own expense will be required to take whatever measures may be required to correct this interference.

Mailing Address: Texas Instruments, Post Office Box 655303, Dallas, Texas 75265
Copyright 2008, Texas Instruments Incorporated

EVM WARNINGS AND RESTRICTIONS

It is important to operate this EVM within the input voltage range of 1.1 V to 4.5 V on Vin and 2.5 V to 5.5V on Vbias and the output voltage range of 0.9 V to 3.6 V.

Exceeding the specified input range may cause unexpected operation and/or irreversible damage to the EVM. If there are questions concerning the input range, please contact a TI field representative prior to connecting the input power.

Applying loads outside of the specified output range may result in unintended operation and/or possible permanent damage to the EVM. Please consult the EVM User's Guide prior to connecting any load to the EVM output. If there is uncertainty as to the load specification, please contact a TI field representative.

During normal operation, some circuit components may have case temperatures greater than 85°C. The EVM is designed to operate properly with certain components above 85°C as long as the input and output ranges are maintained. These components include but are not limited to linear regulators, switching transistors, pass transistors, and current sense resistors. These types of devices can be identified using the EVM schematic located in the EVM User's Guide. When placing measurement probes near these devices during operation, please be aware that these devices may be very warm to the touch.

Mailing Address: Texas Instruments, Post Office Box 655303, Dallas, Texas 75265
Copyright 2008, Texas Instruments Incorporated

IMPORTANT NOTICE

Texas Instruments Incorporated and its subsidiaries (TI) reserve the right to make corrections, modifications, enhancements, improvements, and other changes to its products and services at any time and to discontinue any product or service without notice. Customers should obtain the latest relevant information before placing orders and should verify that such information is current and complete. All products are sold subject to TI's terms and conditions of sale supplied at the time of order acknowledgment.

TI warrants performance of its hardware products to the specifications applicable at the time of sale in accordance with TI's standard warranty. Testing and other quality control techniques are used to the extent TI deems necessary to support this warranty. Except where mandated by government requirements, testing of all parameters of each product is not necessarily performed.

TI assumes no liability for applications assistance or customer product design. Customers are responsible for their products and applications using TI components. To minimize the risks associated with customer products and applications, customers should provide adequate design and operating safeguards.

TI does not warrant or represent that any license, either express or implied, is granted under any TI patent right, copyright, mask work right, or other TI intellectual property right relating to any combination, machine, or process in which TI products or services are used. Information published by TI regarding third-party products or services does not constitute a license from TI to use such products or services or a warranty or endorsement thereof. Use of such information may require a license from a third party under the patents or other intellectual property of the third party, or a license from TI under the patents or other intellectual property of TI.

Reproduction of TI information in TI data books or data sheets is permissible only if reproduction is without alteration and is accompanied by all associated warranties, conditions, limitations, and notices. Reproduction of this information with alteration is an unfair and deceptive business practice. TI is not responsible or liable for such altered documentation. Information of third parties may be subject to additional restrictions.

Resale of TI products or services with statements different from or beyond the parameters stated by TI for that product or service voids all express and any implied warranties for the associated TI product or service and is an unfair and deceptive business practice. TI is not responsible or liable for any such statements.

TI products are not authorized for use in safety-critical applications (such as life support) where a failure of the TI product would reasonably be expected to cause severe personal injury or death, unless officers of the parties have executed an agreement specifically governing such use. Buyers represent that they have all necessary expertise in the safety and regulatory ramifications of their applications, and acknowledge and agree that they are solely responsible for all legal, regulatory and safety-related requirements concerning their products and any use of TI products in such safety-critical applications, notwithstanding any applications-related information or support that may be provided by TI. Further, Buyers must fully indemnify TI and its representatives against any damages arising out of the use of TI products in such safety-critical applications.

TI products are neither designed nor intended for use in military/aerospace applications or environments unless the TI products are specifically designated by TI as military-grade or "enhanced plastic." Only products designated by TI as military-grade meet military specifications. Buyers acknowledge and agree that any such use of TI products which TI has not designated as military-grade is solely at the Buyer's risk, and that they are solely responsible for compliance with all legal and regulatory requirements in connection with such use.

TI products are neither designed nor intended for use in automotive applications or environments unless the specific TI products are designated by TI as compliant with ISO/TS 16949 requirements. Buyers acknowledge and agree that, if they use any non-designated products in automotive applications, TI will not be responsible for any failure to meet such requirements.

Following are URLs where you can obtain information on other Texas Instruments products and application solutions:

Products

Amplifiers	amplifier.ti.com
Data Converters	dataconverter.ti.com
DSP	dsp.ti.com
Clocks and Timers	www.ti.com/clocks
Interface	interface.ti.com
Logic	logic.ti.com
Power Mgmt	power.ti.com
Microcontrollers	microcontroller.ti.com
RFID	www.ti-rfid.com
RF/IF and ZigBee® Solutions	www.ti.com/lprf

Applications

Audio	www.ti.com/audio
Automotive	www.ti.com/automotive
Broadband	www.ti.com/broadband
Digital Control	www.ti.com/digitalcontrol
Medical	www.ti.com/medical
Military	www.ti.com/military
Optical Networking	www.ti.com/opticalnetwork
Security	www.ti.com/security
Telephony	www.ti.com/telephony
Video & Imaging	www.ti.com/video
Wireless	www.ti.com/wireless

Mailing Address: Texas Instruments, Post Office Box 655303, Dallas, Texas 75265
Copyright © 2008, Texas Instruments Incorporated