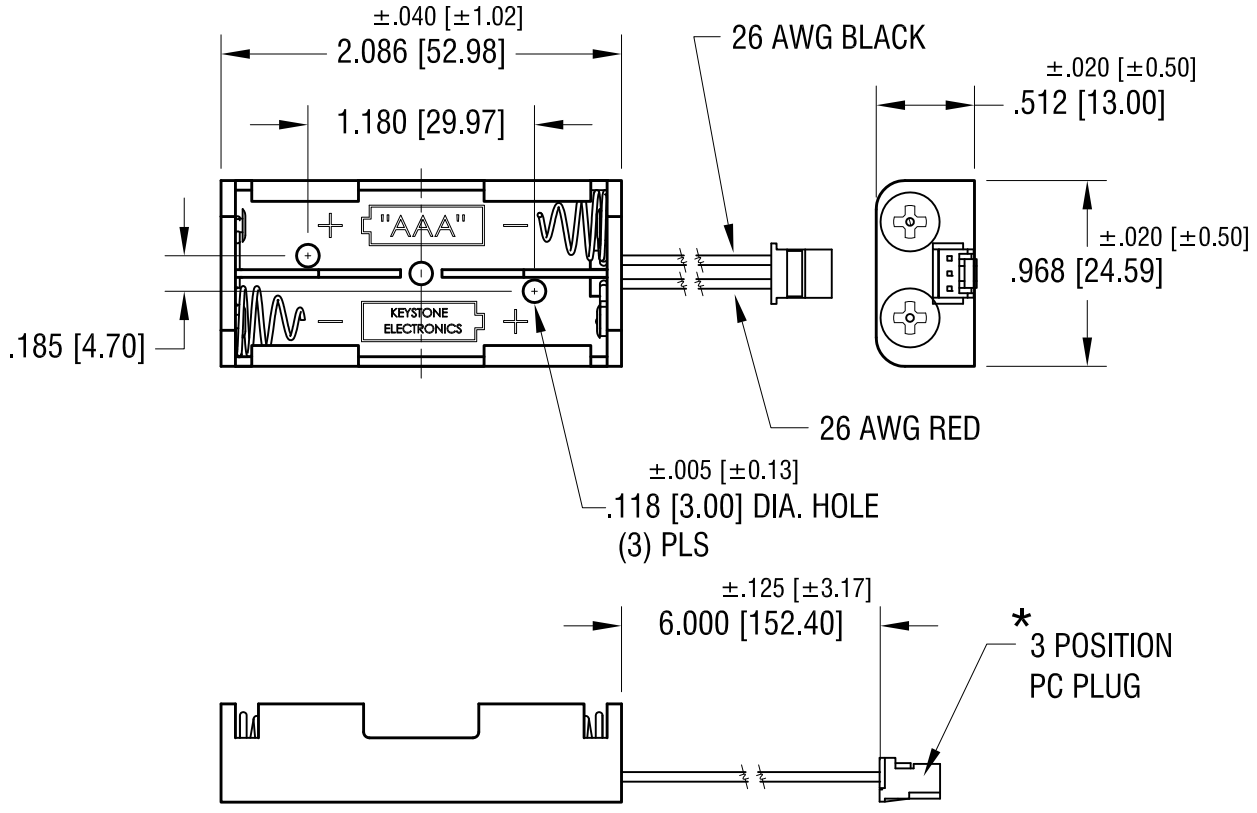
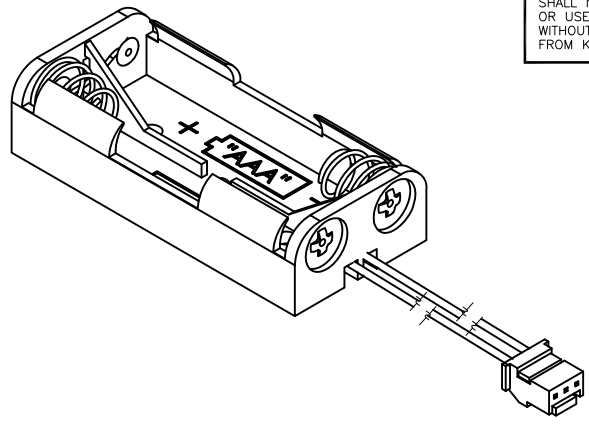
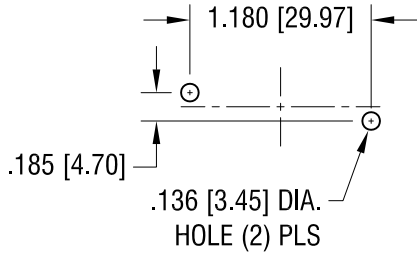


THIS DOCUMENT IS THE PROPERTY OF KEYSTONE ELECTRONICS CORP. AND SHALL NOT BE REPRODUCED, DISTRIBUTED OR USED AS A BASIS FOR MANUFACTURE WITHOUT PRIOR WRITTEN PERMISSION FROM KEYSTONE ELECTRONICS CORP.

**MOUNTING DETAIL**



**NOTE:**

- 1. HOLDER: MAT'L: POLYPROPYLENE  
 SPRING: MAT'L: MUSIC WIRE, .024 [0.60] DIA.  
 FINISH: NICKEL PLATE
- 3. CONNECTOR: MAT'L - PA 66, UL94V-0  
 COLOR- NATURAL
- 4. POSITIVE (RED) CONNECTED TO PIN 1  
 NEGATIVE (BLACK) CONNECTED TO PIN 3

\*USE : P/N'S 974,975, 976 OR 977 FOR P.C. CONNECTOR

<b>KEYSTONE ELECTRONICS CORP.</b>			
www.keyelco.com • NEW HYDE PARK, NY 11040 • Tel (516) 328-7500			
PART NAME		BATTERY HOLDER (2) 'AAA'	
MATERIAL		AS NOTED	
FINISH	AS NOTED	DRN BY	NT
		DATE	4.12.16
		APP'D	LN
		SCALE	1X
TOLERANCES	INCH [MM]	CODE	DWG NO.
DECIMAL	± .015 [± 0.38]	C	<b>2469CN</b>
ANGULAR	± 1°		
UNLESS OTHERWISE SPECIFIED			

DATE	DESCRIPTION	REV.