

IFX90121ELV50

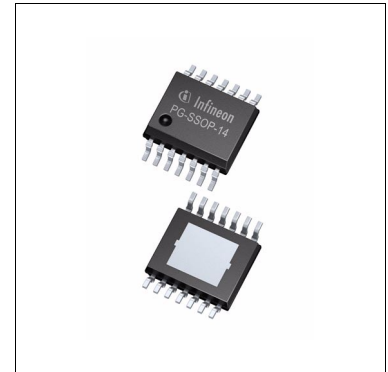
2.2 MHz Step-Down Regulator 500 mA, 5 V, low quiescent current



1 Overview

Features

- 500 mA step down voltage regulator
- 5 V Output voltage
- $\pm 2\%$ output voltage tolerance
- Low quiescent current (less than 45 μA at nominal input voltage)
- Integrated power transistor
- Current mode PWM regulation
- PFM mode for light load current
- Input voltage range from 4.75 V to 45 V
- 2.2 MHz switching frequency
- 100% Duty cycle
- Synchronization input
- Very low shutdown current consumption ($< 2 \mu\text{A}$)
- Soft-start function
- Input undervoltage lockout
- Suited for industrial applications: $T_j = -40^\circ\text{C}$ to 125°C
- Green Product (RoHS compliant)



Potential applications

- Applications with a 5.0 V switching regulator as replacement for linear voltage regulator with low quiescent current
- The IFX90121EL is not qualified and manufactured according to the requirements of Infineon Technologies AG with regards to automotive or transportation applications. For automotive applications please refer to the Infineon TLF502x1 series of switching voltage regulator products.

Product validation

Product validation: Qualified for industrial applications according to the relevant tests of JEDEC47/20/22.

Overview**Description**

The IFX90121EL is a high frequency PWM step-down DC/DC converter with an integrated PMOS power switch, packaged in a small PG-SSOP-14 with exposed pad. The wide input voltage range from 4.75 V to 45 V makes the IFX90121EL suitable for a wide variety of applications.

The switching frequency of nominal 2.2 MHz allows the use of small and cost-effective inductors and capacitors, resulting in a low, predictable output voltage ripple and in minimized consumption of board space.

In light load condition the device operates in Pulse Frequency Modulation (PFM) to optimize the efficiency. Between the single pulses, all internal controlling circuitry is switched off to reduce the internal power consumption.

The IFX90121EL includes protection features such as a cycle-by-cycle current limitation, overtemperature shutdown and input undervoltage lockout. The enable function, in shutdown mode with less than 2 μ A current consumption, enables easy power management in battery-powered systems.

The voltage regulation loop provides an excellent line and load regulation, the stability of the loop is ensured by an internal compensation network. This compensation network combined with a current mode regulation control guarantees a highly effective line transient rejection. During start-up the integrated soft-start limits the inrush current peak and prevents output voltage overshoot.

Type	Package	Marking
IFX90121EL	PG-SSOP-14	IFX90121

Table of contents

1	Overview	1
	Features	1
	Potential applications	1
	Product validation	1
	Description	2
	Table of contents	3
2	Block diagram	4
3	Pin configuration	5
3.1	Pin assignment	5
3.2	Pin definitions and functions	5
4	General product characteristics	7
4.1	Absolute maximum ratings	7
4.2	Functional range	8
4.3	Thermal resistance	8
5	Buck regulator	9
5.1	Description	9
5.1.1	Regulator loop	9
5.1.2	PWM (Pulse Width Modulation) mode	10
5.1.3	PFM (Pulse Frequency Modulation) mode	11
5.2	Electrical characteristics buck regulator	15
5.3	Performance graphs	16
6	Enable and thermal shutdown	18
6.1	Description	18
6.2	Electrical characteristics Enable, bias and thermal shutdown	18
7	Oscillator	19
7.1	Description	19
7.2	Electrical characteristics buck regulator	20
8	Application information	21
8.1	General layout recommendations	22
8.2	Further application information	23
9	Package outlines	24
10	Revision history	25

Block diagram

2 Block diagram

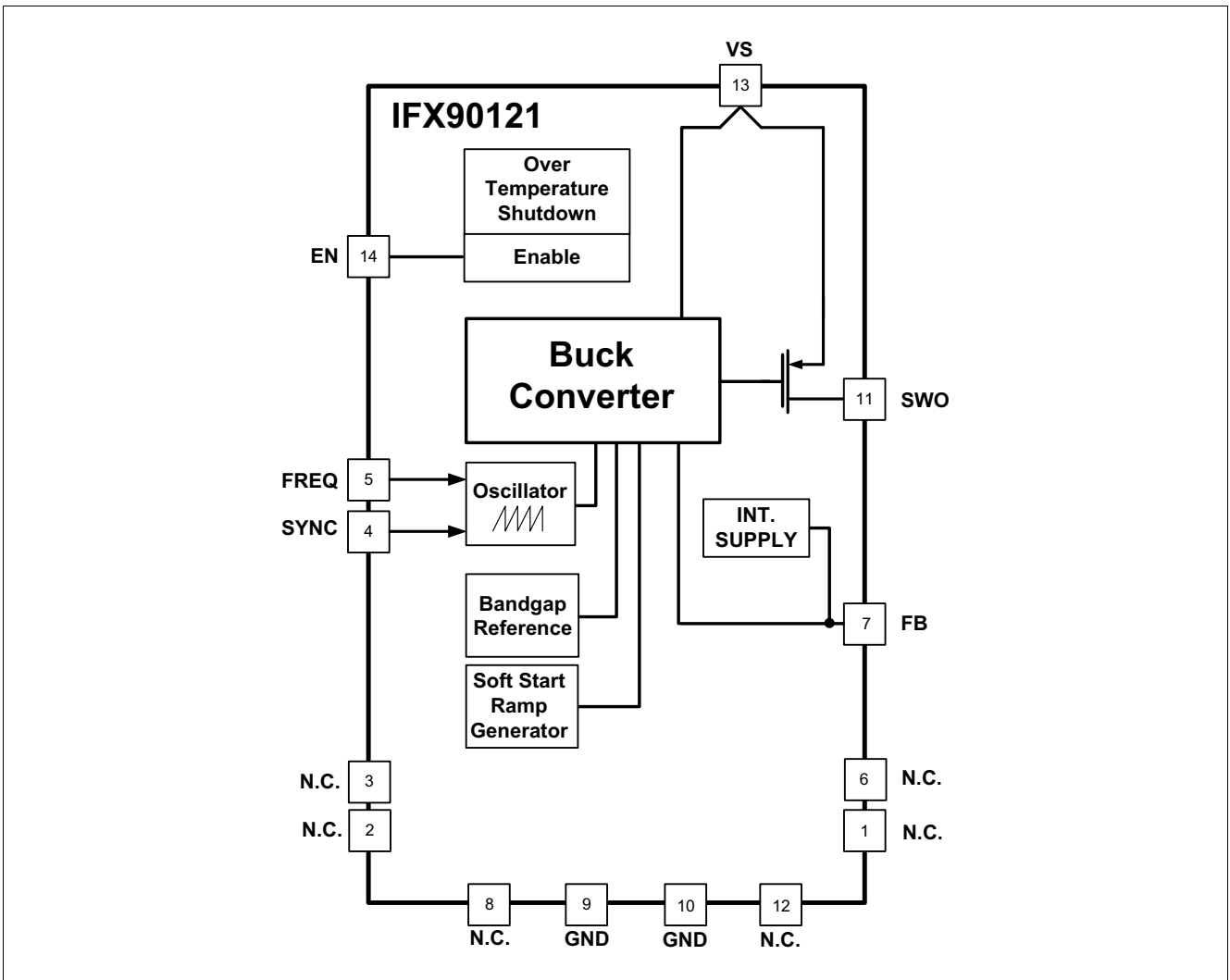


Figure 1 Block diagram

Pin configuration

3 Pin configuration

3.1 Pin assignment

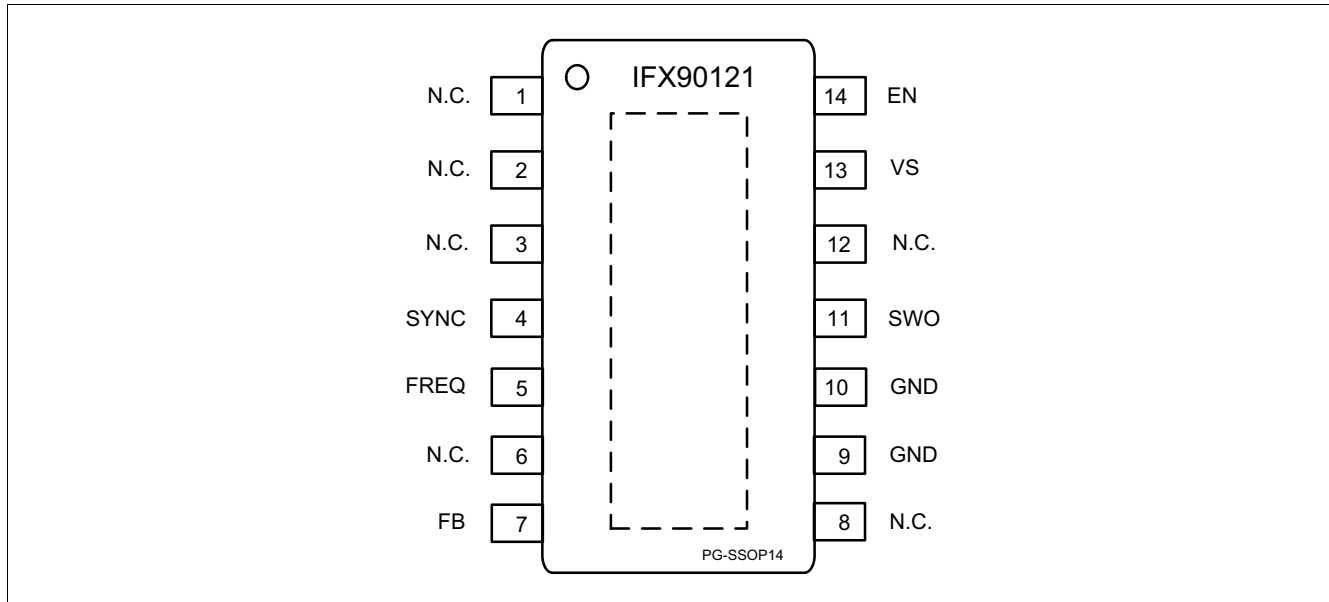


Figure 2 Pin configuration

3.2 Pin definitions and functions

Pin	Symbol	Function
1	N.C.	Not Connected Internally not connected. Leave open or connect to GND.
2	N.C.	Not Connected Internally not connected. Leave open or connect to GND.
3	N.C.	Not Connected Internally not connected. Leave open or connect to GND.
4	SYNC	Synchronization input Connect to an external clock signal in order to synchronize/adjust the switching frequency. This feature is not functionally in PFM mode.
5	FREQ	Frequency adjustment pin Connect an external resistor to GND to adjust the switching frequency, do not leave open. In case the synchronization option is used, the resistor must be dimensioned close to the desired synchronization frequency.
6	N.C.	Not Connected Internally not connected. Leave open or connect to GND.
7	FB	Feedback input Connect this pin directly to the output capacitor. Also input for internal power supply. The internal power supply is taken from the output voltage.
8	N.C.	Not Connected Internally not connected. Leave open or connect to GND.

Pin configuration

Pin	Symbol	Function
9	GND	Ground Connect this pin directly with low inductive and broad trace to ground, do not leave open.
10	GND	Ground Connect this pin directly with low inductive and broad trace to ground, do not leave open.
11	SWO	Buck Switch Output Drain of the integrated power-PMOS transistor. Connect directly to the cathode of the catch diode and the buck circuit inductance.
12	N.C.	Not Connected Internally not connected. Leave open or connect to GND.
13	VS	Supply Voltage input Connect to supply voltage source.
14	EN	Enable input Switch to high level to enable the device, switch to low level to disable the device.
Exposed pad		Connect to heatsink area and GND by low inductance wiring.

General product characteristics

4 General product characteristics

4.1 Absolute maximum ratings

Table 1 Absolute maximum ratings¹⁾
 $T_j = -40^\circ\text{C}$ to 125°C ; all voltages with respect to ground (unless otherwise specified)

Parameter	Symbol	Values			Unit	Note or Test Condition	Number
		Min.	Typ.	Max.			
Voltages							
Enable input	V_{EN}	-40	–	45	V	–	P_4.1.1
Synchronization input	V_{SYNC}	-0.3	–	5.5	V	–	P_4.1.2
				6.2	V	$t < 10 \text{ s}^2)$	P_4.1.3
Feedback Input	V_{FB}	-0.3	–	5.5	V	–	P_4.1.4
				6.2	V	$t < 10 \text{ s}^2)$	P_4.1.5
Frequency adjustment pin	V_{FREQ}	-0.3	–	5.5	V	–	P_4.1.6
				6.2	V	$t < 10 \text{ s}^2)$	P_4.1.7
Buck switch output	V_{SWO}	-2.0	–	$V_{\text{VS}} + 0.3$	V	–	P_4.1.8
Supply voltage input	V_{VS}	-0.3	–	45	V	–	P_4.1.9
Temperatures							
Junction temperature	T_j	-40	–	150	$^\circ\text{C}$	–	P_4.1.10
Storage temperature	T_{stg}	-50	–	150	$^\circ\text{C}$	–	P_4.1.11
ESD susceptibility							
ESD resistivity	V_{ESD}	-2	–	2	kV	HBM	P_4.1.12
ESD resistivity to GND	V_{ESD}	-500	–	500	V	CDM ³⁾	P_4.1.13
ESD resistivity corner pins to GND	V_{ESD}	-750	–	750	V	CDM ³⁾	P_4.1.14

1) Not subject to production test, specified by design

2) ESD susceptibility HBM according to ANSI/ESDA/JEDEC JS-001 (1.5 kV, 100 pF).

3) ESD susceptibility, Charged Device Model "CDM" according to JEDEC JESD22-C101

Notes

1. Stresses above the ones listed here may cause permanent damage to the device. Exposure to absolute maximum rating conditions for extended periods may affect device reliability.
2. Integrated protection functions are designed to prevent IC destruction under fault conditions described in the data sheet. Fault conditions are considered as "outside" normal operating range. Protection functions are not designed for continuous repetitive operation.

General product characteristics

4.2 Functional range

Table 2 Functional range

Parameter	Symbol	Values			Unit	Note or Test Condition	Number
		Min.	Typ.	Max.			
Supply voltage	V_S	4.75	–	45	V	–	P_4.2.1
Buck inductor	L_{BU}	3.3	–	22	μ H	–	P_4.2.2
Buck capacitor	C_{BU1}	10	–	50	μ F	–	P_4.2.3
Buck capacitor ESR	ESR_{BU1}	0.015	–	0.100	Ω	– ¹⁾	P_4.2.4
Junction temperature	T_j	-40	–	150	$^{\circ}$ C	–	P_4.2.5

1) See section “**Application information**” on Page 21 for loop compensation requirements and refer to Application Note for dimensioning the output filter.

Note: Within the functional range the IC operates as described in the circuit description. The electrical characteristics are specified within the conditions given in the related electrical characteristics table.

4.3 Thermal resistance

Table 3 Thermal resistance

Parameter	Symbol	Values			Unit	Note or Test Condition	Number
		Min.	Typ.	Max.			
Junction to case ¹⁾	R_{thJC}	–	10	–	K/W	–	P_4.3.1
Junction to ambient ²⁾	R_{thJA}	–	47	–	K/W	2s2p	P_4.3.2
	R_{thJA}	–	54	–	K/W	1s0p + 600 mm ²	P_4.3.3
	R_{thJA}	–	64	–	K/W	1s0p + 300 mm ²	P_4.3.4

1) Not subject to production test, specified by design.

2) Specified R_{thJA} value is according to JEDEC 2s2p (JESD 51-7) + (JESD 51-5) and JEDEC 1s0p (JESD 51-3) + heatsink area at natural convection on FR4 board.

Buck regulator

5 Buck regulator

5.1 Description

The IFX90121EL is a monolithic current mode step down converter with adjustable switching frequency f_{OSC} . It is capable to operate either in Pulse Width Modulation (PWM) or in Pulse Frequency Modulation (PFM) Mode.

5.1.1 Regulator loop

Power stage

The supply voltage is connected to pin VS. Between pin VS and pin SWO there is an internal shunt resistor and the internal PMOS power stage. The PMOS is driven by the driver stage.

Regulator block

The feedback signal V_{FB} is connected to pin FB. Between pin FB and pin GND is an internal resistor divider. An error amplifier and a comparator are connected to this resistor divider: The error amplifier EA-gmV, which is controlling the output voltage in PWM mode, and the PFM comparator, which will switch the TLF50281EL into PFM mode and trigger the pulses. The error amplifier EA-gmV is connected to the PWM comparator. The regulation loop operates in current mode: The output current of EA-gmV is subtracted from the sum of the current loop CS-gml and the slope compensation I_{SLOPE} . The result is evaluated by PWM Comp (a current comparator). The output of PWM Comp defines duty cycle (pulse-width-modulated signal) in PWM mode.

The Slope Compensation added to the signal from the error amplifier EA-gmV to the PWM Comparator ensures that no sub harmonics will occur on the input current.

The PWM comparator output and the PFM comparator output are connected to the PWM /PFM logic.

An external resistor at pin FREQ is required to set the switching frequency (for details please refer to chapter 8 Module Oscillator). The IFX90121EL may also be synchronized to an external frequency. In this case an external clock signal should be connected to pin SYNC. The frequency setting resistor at pin FREQ is still necessary, it has to be selected according to the desired synchronization frequency (for details please refer to [Chapter 7 Oscillator](#)).

The IFX90121EL can only be synchronized to an external frequency source in PWM mode, this function does not work in PFM mode.

The clock manager is clocking the PWM/PFM logic. The PWM/PFM logic is triggering the driver to apply pulses to the internal PMOS power stage.

Safety features

The shunt resistor in line with the internal PMOS power stage (between pin VS and the power stage) is connected to a current sense amplifier CS-gml. It detects the voltage above the shunt resistor. The amplifier creates a signal which shuts the pulse down in case that the shunt voltage exceeds the reference limit. The current limitation acts as a cycle-by-cycle limitation. Cycle-by-cycle limitation means, that every pulse is switched off as soon as the current through the PMOS exceeds the buck peak over current limit I_{BUOC} . The next pulse starts and will also be switched off as soon as the current limit is exceeded again. This results in a lowered output voltage whilst the output current is limited to a certain value.

Input undervoltage shutdown: If the input voltage is below the input undervoltage shutdown threshold $V_{S,off}$ the device will shut down.

Output overvoltage protection: If the output voltage exceeds the PFM threshold the device will switch from PWM to PFM. Pulses will then be generated only depending on the value of the output voltage V_{CC} .

Buck regulator

Soft start function: An integrated soft start function of duration t_{start} ensures, that the inrush current will be limited. After an overtemperature shutdown the regulator always restarts with a soft start.

Overtemperature shutdown: An internal temperature sensor detects the temperature of the device. It will be switched off if the junction temperature exceeds the overtemperature shutdown threshold $T_{j,sd}$ and restart with a certain hysteresis T_{j,sd_hyst} (for details please refer to [Chapter 6 Enable and thermal shutdown](#)).

Biasing

The internal biasing is taken from pin VS as well as from pin FB (connected to V_{CC}) (for details please refer to [Chapter 6 Enable and thermal shutdown](#)). Thus the power consumption from the supply voltage V_S can be minimized.

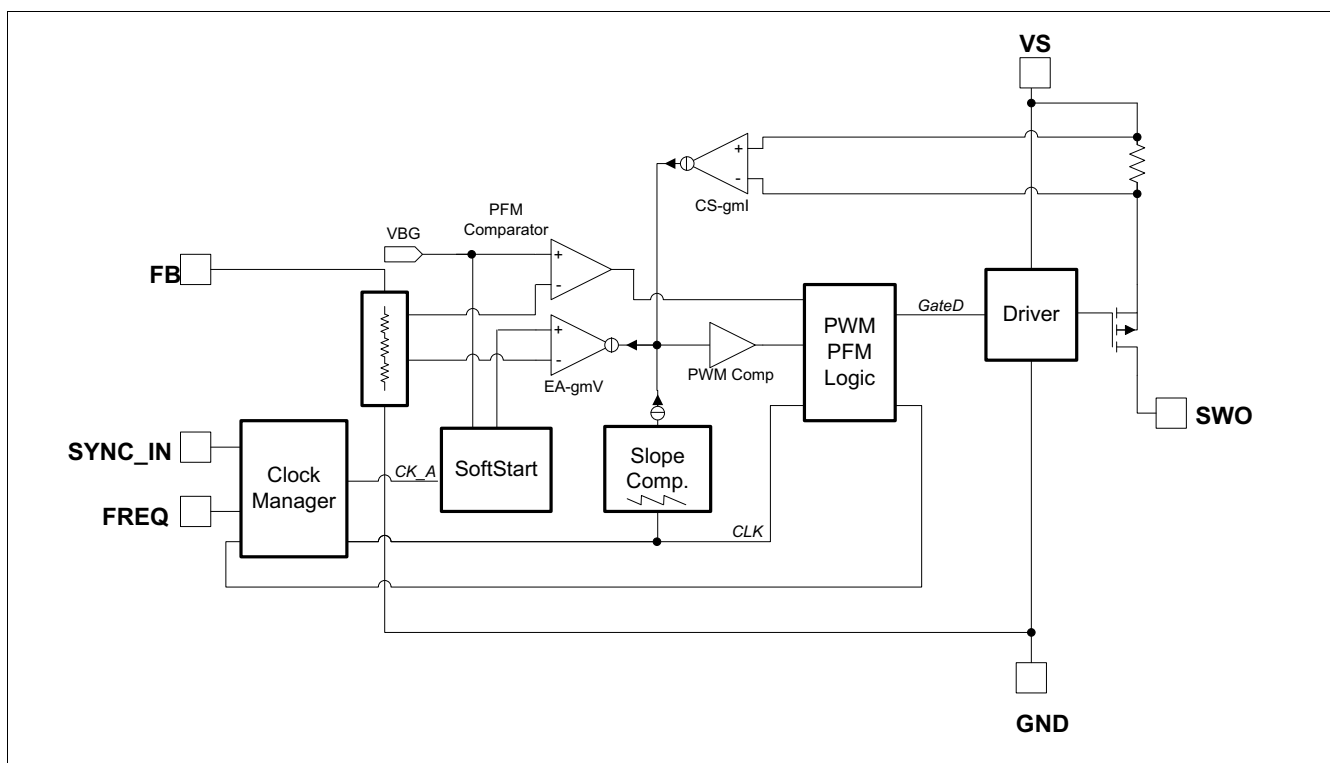


Figure 3 Block diagram buck regulator

5.1.2 PWM (Pulse Width Modulation) mode

Under normal conditions the IFX90121EL will operate with a constant switching frequency f_{osc} in PWM mode. The ratio between switch-on-time T_{ON} and switch-off-time T_{OFF} is mainly determined by the ratio between the input voltage V_S and the output voltage V_{CC} and is influenced by the output current I_{CC} .

In PWM mode the device may operate with 100% duty cycle, in this case the internal PMOS is constantly conducting current. The current limitation feature is operating under this condition.

If the switch-on-time T_{ON} should theoretically be below the minimum threshold $T_{ON,min}$ (due to low load or due to the ratio between input voltage V_S and output voltage V_{CC} depending on the switching frequency), it will be reduced to the minimum value switch-on-time $T_{ON,min}$ and stay there. As a consequence the output voltage V_{CC} will increase. The PFM comparator detects the PFM threshold and will then switch the device into PFM mode. There is no possibility to disable the PFM function.

Buck regulator

5.1.3 PFM (Pulse Frequency Modulation) mode

To optimize the efficiency and to reduce the current consumption, the IFX90121EL automatically switches to PFM mode under low load conditions. In PFM mode the internal power stage including the driver stage is switched off and will only be switched on for applying pulses to charge the output capacitor. The pulses will be created by monitoring the voltage of the output filter capacitor C_{OUT} . Thus in PFM mode the repetition time of pulses depend on the output current and/or the ratio between input voltage V_S and output voltage V_{CC} .

Transition from PWM to PFM

Figure 4 shows the transition from Pulse Width Modulation to Pulse Frequency Modulation under the assumption, that the input voltage V_S will be constant and only the output current I_{CC} will vary. The diagram shows the principle, in reality the signals might look slightly different. The diagram is without scale in respect of time, voltage and current values.

Starting from left of the figure a certain output current, here named I_1 , is applied to the regulator output. This results in a duty cycle D_1 with the on-time T_{ON1} of the internal power stage. The switching frequency f_{OSC} is constant as set by the frequency setting resistor R_{FREQ} . The regulator is in PWM mode, the output voltage is V_{REF_PWM} which is equal to V_{FB} in PWM mode.

At point t_1 the output current decreases from I_1 to a lower I_2 . This results in a duty cycle D_2 with the on-time T_{ON2} of the internal power stage. Due to the reduced output load the on-time T_{ON2} is shorter (the regulator is in Discontinuous Conduction Mode DCM) than T_{ON1} . The switching frequency f_{OSC} is constant as set by the frequency setting resistor R_{FREQ} . The regulator is still in PWM mode, the output voltage is V_{REF_PWM} which is equal to V_{FB} in PWM mode. In Continuous Conduction Mode CCM the variation from T_{ON1} to T_{ON2} will be very small due to smaller conduction losses.

At point t_2 the output current decreases again from I_2 to a lower I_3 . As a consequence the on-time T_{ON} will be reduced also. The output current I_3 is so low, that the on-time T_{ON3} would be smaller than the $T_{ON,min}$. The regulator does not allow a on-time smaller than $T_{ON,min}$. Therefore we can say that the output current I_3 is under the imaginary current threshold for transition from PWM to PFM $I_{PWM/PFM}$. With the pulse staying at on-time $T_{ON,min}$ the output voltage V_{CC} will rise. The regulator is still in PWM mode, but the output voltage rises.

At point t_3 after a normal time period T_{PWM} as adjusted by the frequency setting resistor R_{FREQ} , a further pulse of the duration $T_{ON,min}$ is applied, the output voltage V_{CC} keeps on rising. The regulator is still in PWM mode.

At point t_4 the output voltage V_{CC} touches (or exceeds) the voltage threshold for transition from PWM to PFM $V_{PWM/PFM}$. The regulator is now switching internally from PWM to PFM. In PFM mode the power consumption of the internal blocks is reduced. The reference for the output voltage V_{CC} is switched from V_{REF_PWM} (which is equal to V_{FB} in PWM mode) to V_{REF_PFM} (which is equal to V_{FB} in PFM mode). The reference for V_{FB} in PFM mode is higher than the reference in PWM mode to avoid voltage dumps at the output voltage V_{CC} due to sudden load steps and to give the regulator more reaction time to switch back to PWM mode.

The regulator is now in PFM mode, the output voltage is V_{REF_PFM} which is equal to V_{FB} (or slightly higher) in PFM mode.

The output voltage V_{CC} is monitored and as soon as it touches the PFM reference voltage V_{REF_PFM} a pulse of the on-time $T_{ON,min}$ is triggered. The time between two pulses is depending on the discharging of the output capacitor C_{OUT} .

Buck regulator

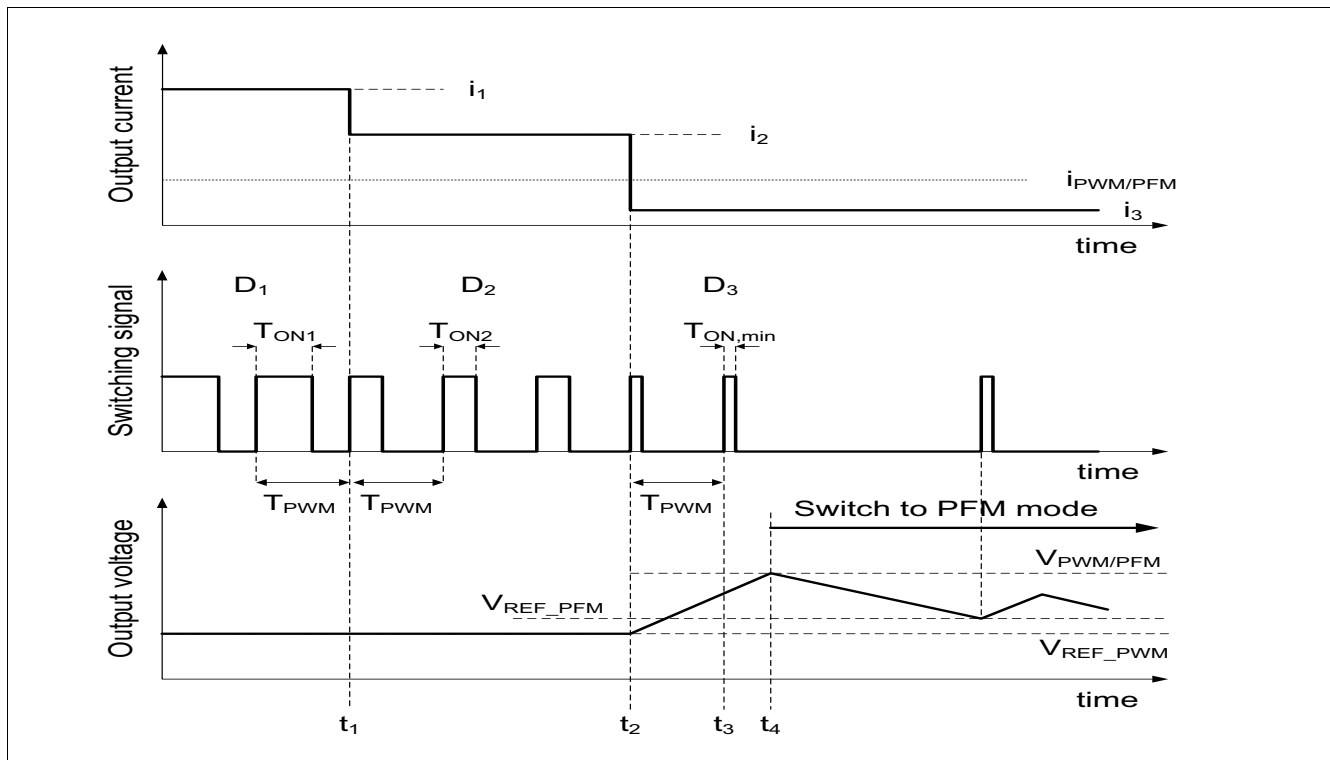


Figure 4 PWM to PFM transition (timing diagram)

Transition from PFM to PWM

Figure 5 shows the transition from Pulse Frequency Modulation to Pulse Width Modulation under the assumption, that the input voltage V_S will be constant, and only the output current I_{CC} will vary. The diagram shows the principle, in reality the signals might look slightly different. The diagram is without scale in respect of time, voltage and current values.

Starting from left of the figure a certain output current, here named i_3 , is applied to the regulator output. i_3 shall be below the imaginary current threshold for transition from PFM to PWM $i_{PFM/PWM}$. The regulator is in PFM mode, the output voltage is V_{REF_PFM} , which is equal to V_{FB} in PFM mode (or slightly higher).

Pulses of the duration $T_{ON,min}$ are triggered whenever the output voltage V_{CC} touches the PFM reference voltage V_{REF_PFM} .

At point t_5 the output current increases from i_3 to a higher i_2 , that shall be above the imaginary current threshold for transition from PFM to PWM $i_{PFM/PWM}$. Due to the higher output current more pulses of the duration $T_{ON,min}$ have to be triggered, the frequency of these pulses is monitored. The frequency of these pulses increases until it is higher than the switching frequency f_{OSC} set by the frequency setting resistor R_{FREQ} . The regulator is still in PFM mode.

At point t_6 the frequency monitoring detects that the frequency of the PFM pulses is being higher than the frequency threshold for transition from PFM to PWM $f_{PFM/PWM}$. Therefore the regulator switches back to PWM mode. This results in a certain duty cycle D_2 with the on-time T_{ON2} of the internal power stage. The time period T_{PWM} is as adjusted by the frequency setting resistor R_{FREQ} .

Buck regulator

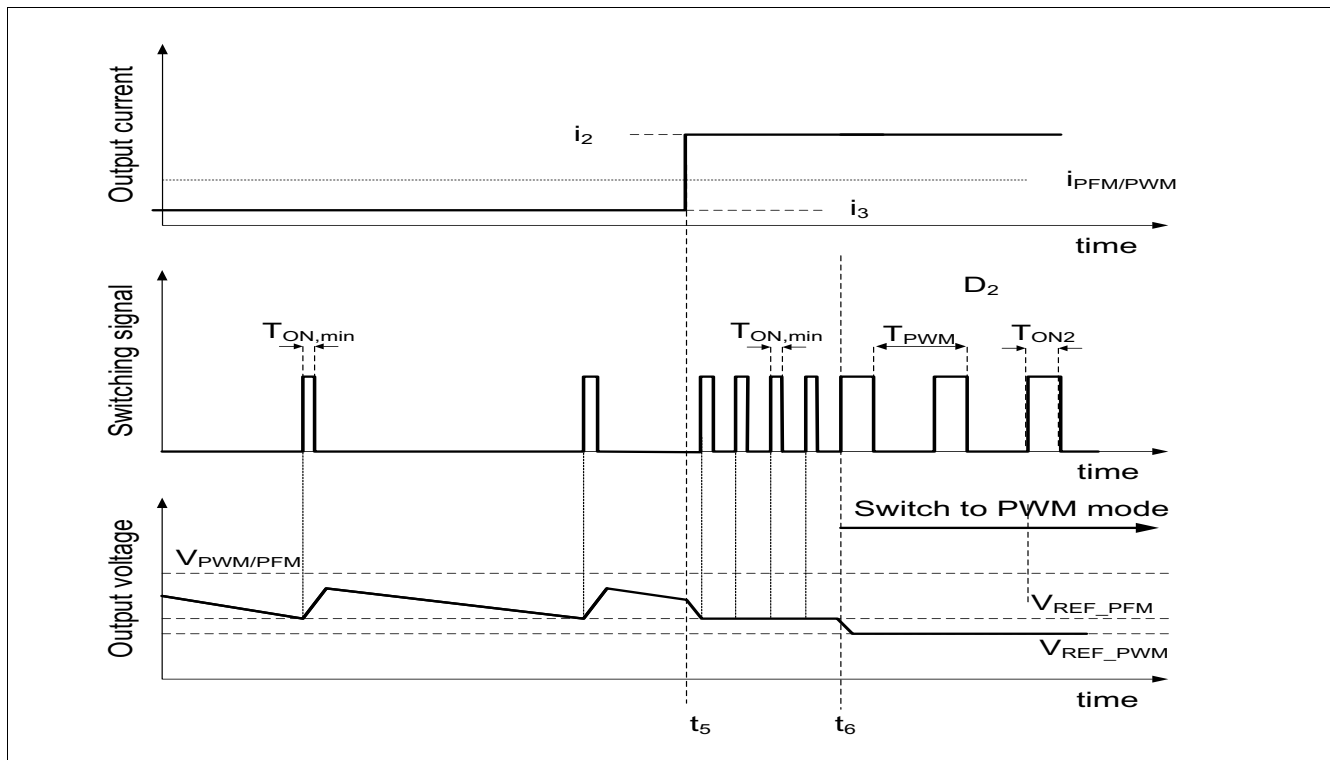


Figure 5 PFM to PWM transition (timing diagram)

Frequency variation during PWM/PFM transition

Figure 6 shows the transition from Pulse Frequency Modulation to Pulse Width Modulation (and vice versa) in relation to output current and switching frequency. The diagram shows the principle, in reality the signals might be slightly different. The diagram is without scale in respect of frequency and current values.

The transition from PWM to PFM is shown in a grey line. Starting from right the switching frequency f_{PWM} is constant as set by the frequency setting resistor R_{FREQ} . The output current I_{CC} is decreasing.

As soon as the output current I_{CC} is below the imaginary current threshold for transition from PWM to PFM $I_{\text{PWM/PFM}}$, the regulator will be switched from PWM to PFM mode depending on the output voltage V_{CC} . With the output current I_{CC} decreasing, the switching frequency will also decrease, as the pulses are triggered by monitoring the output voltage V_{CC} at capacitor C_{OUT} .

The transition from PFM to PWM is shown in a black line. Starting from left the switching frequency is increasing with the increasing output current I_{CC} .

As soon as the switching frequency is crossing the frequency threshold for transition from PFM to PWM $f_{\text{PFM/PWM}}$ (which is above the switching frequency f_{OSC} set by the frequency setting resistor R_{FREQ}) the regulator will switch from PFM to PWM.

Buck regulator

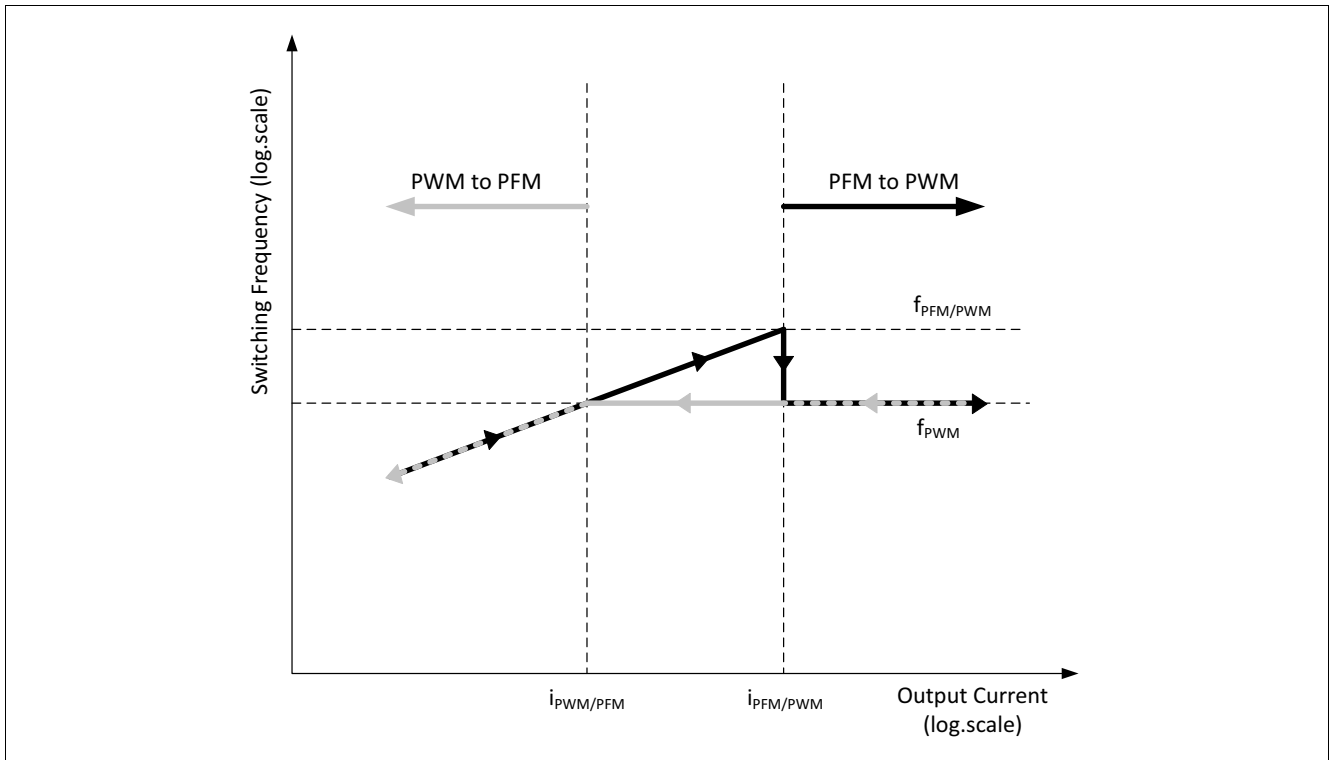


Figure 6 PWM <-> PFM transitions

Buck regulator

5.2 Electrical characteristics buck regulator

Table 4 Electrical characteristics: buck regulator

 $V_S = 6.0\text{ V to }40\text{ V}$, $T_j = -40^\circ\text{C to }125^\circ\text{C}$, all voltages with respect to ground (unless otherwise specified)

Parameter	Symbol	Values			Unit	Note or Test Condition	Number
		Min.	Typ.	Max.			
Output voltage	V_{FB}	4.90	5.00	5.10	V	$V_{EN} = 5.0\text{ V}$ $7\text{ V} < V_S < 12\text{ V}$ $100\text{ mA} < I_{CC} < 610\text{ mA}$ PWM Mode	P_5.2.1
Output voltage	V_{FB}	4.90	5.10	5.30	V	$V_{EN} = 5.0\text{ V}$ $10\text{ V} < V_S < 35\text{ V}$ $I_{CC} = 100\text{ }\mu\text{A}$ PFM Mode	P_5.2.2
Power stage on-resistance	R_{on}	–	1.5	2.3	Ω	Tested at 100 mA, $V_S = 7.0\text{ V}$	P_5.2.8
Buck peak over current limit	I_{BUOC}	0.85	–	1.7	A	–	P_5.2.9
Current transition rise/fall time	t_R	–	100	–	mA/ns	¹⁾	P_5.2.10
Maximum duty cycle	D_{max}	–	–	100	%	²⁾	P_5.2.11
Minimum switch on-time	$T_{ON,min}$	–	100	–	ns	¹⁾	P_5.2.12
Minimum switch off- Time	$T_{OFF,min}$	–	200	–	ns	¹⁾ PFM mode	P_5.2.13
Soft start ramp	t_{start}	300	450	750	μs	V_{FB} rising from 5% to 95% of $V_{FB,nom}$	P_5.2.14
Input undervoltage shutdown threshold	$V_{S,off}$	3.75	–	–	V	V_S decreasing	P_5.2.15
Input voltage startup threshold	$V_{S,on}$	–	–	4.75	V	V_S increasing	P_5.2.16
Input undervoltage shutdown hysteresis	$V_{S,hyst}$	130	300	–	mV	–	P_5.2.17
Voltage threshold for transition from PWM to PFM	$V_{PWM/PFM}$	–	–	5.3	V	¹⁾	P_5.2.18
Frequency ratio for transition from PFM to PWM	$f_{PFM/PWM}/f_{osc}$	–	1.20	–	–	¹⁾	P_5.2.19

1) Specified by design. Not subject to production test.

2) Consider [Chapter 4.2 Functional range](#) .

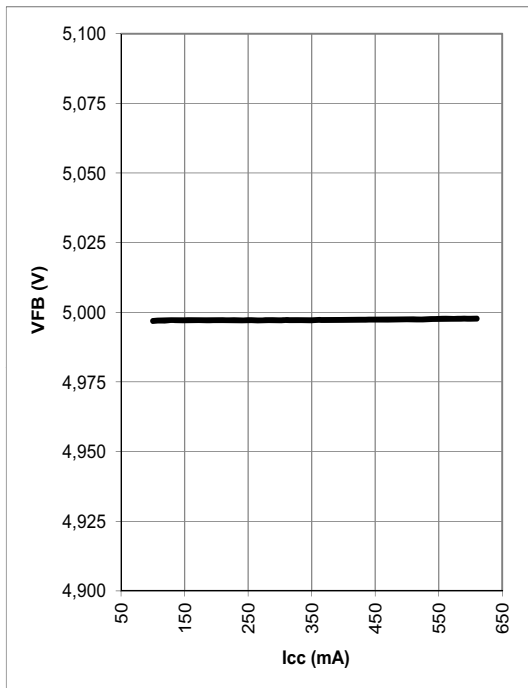
Buck regulator

5.3 Performance graphs

Typical performance characteristics

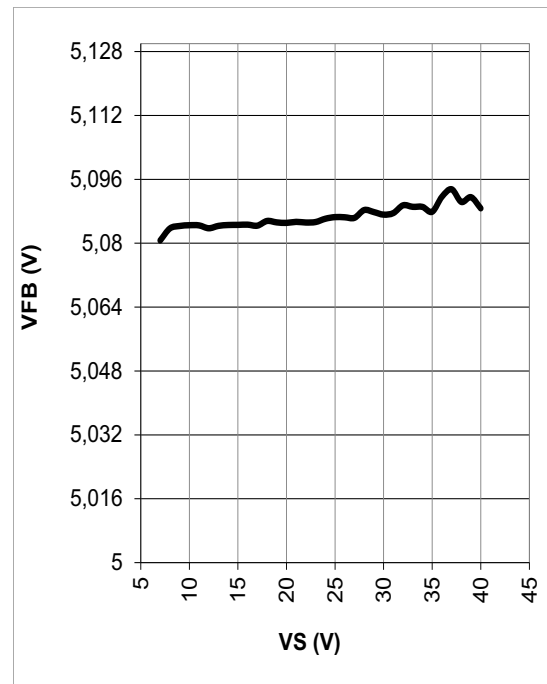
Load regulation PWM mode

$V_S = 12\text{ V}$; $T_J = +25^\circ\text{C}$



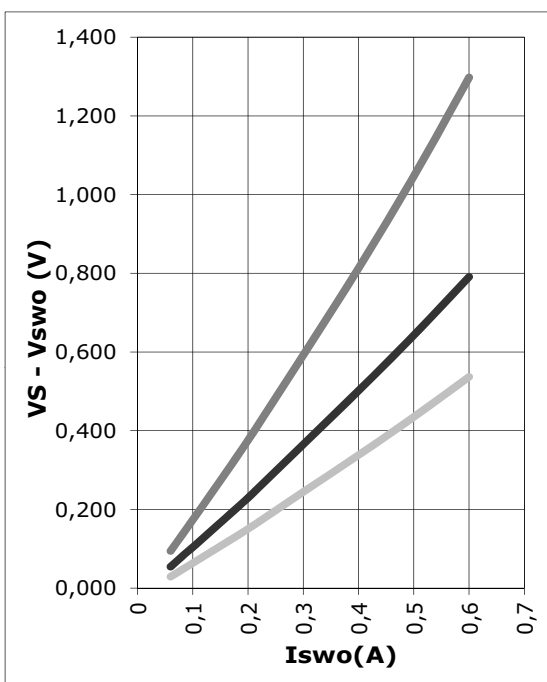
Load regulation PFM mode

$I_{CC} = 100\ \mu\text{A}$; $T_J = +25^\circ\text{C}$



Power stage on resistance: black $T_J = +25^\circ\text{C}$

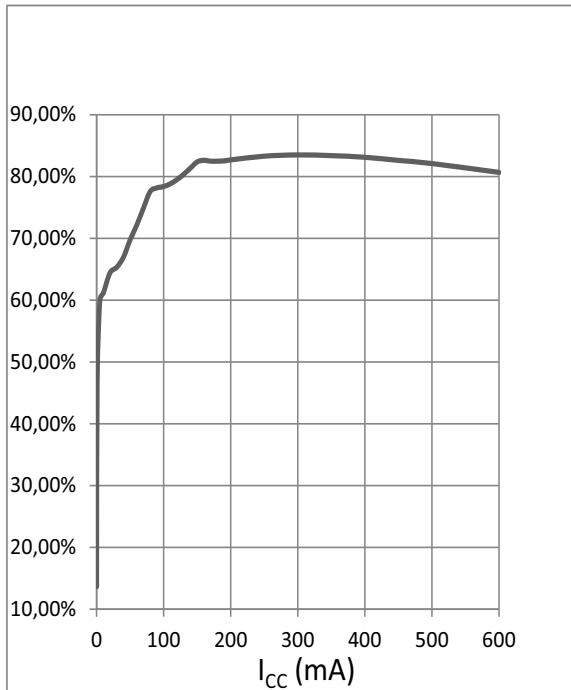
light grey $T_J = -43^\circ\text{C}$, dark grey $T_J = +150^\circ\text{C}$



Buck regulator

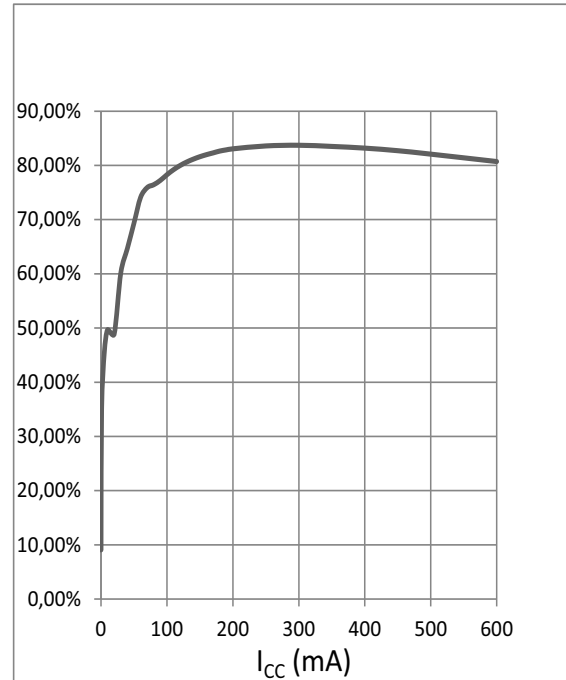
Efficiency for

$V_S = 13\text{ V}$, $f_{OSC} = 1.65\text{ MHz}$, $L_{OUT} = 4.7\ \mu\text{H}$



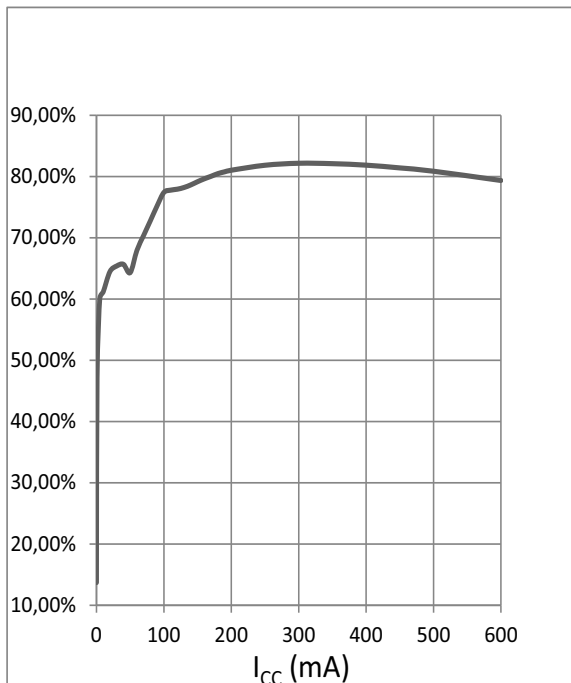
Efficiency for

$V_S = 13\text{ V}$, $f_{OSC} = 1.65\text{ MHz}$, $L_{OUT} = 10\ \mu\text{H}$



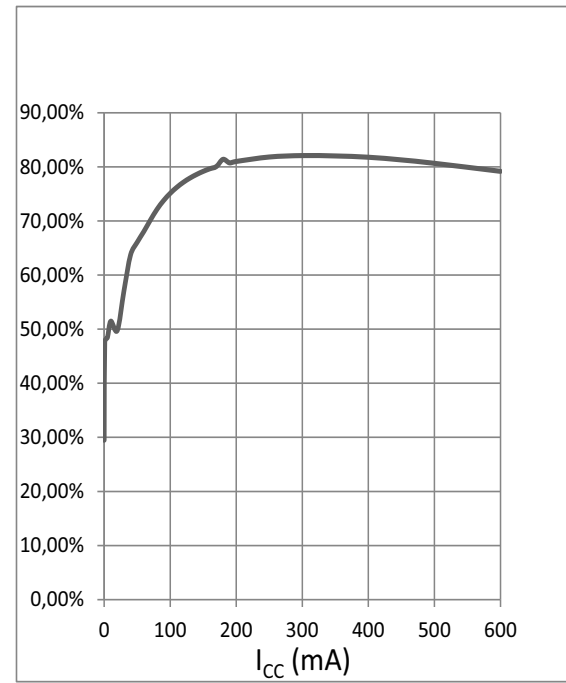
Efficiency for

$V_S = 13\text{ V}$, $f_{OSC} = 2.2\text{ MHz}$, $L_{OUT} = 4.7\ \mu\text{H}$



Efficiency for

$V_S = 13\text{ V}$, $f_{OSC} = 2.2\text{ MHz}$, $L_{OUT} = 10\ \mu\text{H}$



Enable and thermal shutdown

6 Enable and thermal shutdown

6.1 Description

A valid high level at pin EN ($V_{EN,hi}$) turns the regulator on, a valid low level at pin EN ($V_{EN,lo}$) turns the regulator off. In off state the current consumption of the device is less than 2 μ A. An integrated pull down resistor at pin EN ($R_{EN,INT}$) ensures, that the device is switched off, if pin EN is left open.

The integrated thermal shutdown function turns off the power switch in case of overtemperature. The typical junction shutdown temperature is 175°C, with a min. of 155°C. After cooling down, the IC will automatically restart with a soft start into normal operation. The thermal shutdown is an integrated protection function designed to prevent IC destruction when operating under fault conditions. It should not be used for normal operation.

6.2 Electrical characteristics Enable, bias and thermal shutdown

Table 5 Electrical characteristics: Enable, bias and thermal shutdown

$V_S = 6.0$ V to 40 V, $T_j = -40^\circ$ C to 125°C, all voltages with respect to ground (unless otherwise specified)

Parameter	Symbol	Values			Unit	Note or Test Condition	Number
		Min.	Typ.	Max.			
Enable EN							
Current consumption, shut down mode	$I_{q,OFF}$	–	0.1	2	μ A	$V_{EN} = 0$ V; $T_j < 105^\circ$ C; $V_S = 16$ V	P_6.2.1
Current consumption of V_{CC}	$I_{q,ON,V_{CC}}$	–	–	60	μ A	$V_{EN} = 5.0$ V; $V_S = 16$ V; $V_{CC} = 5.4$ V; $T_j < 105^\circ$ C; PFM mode	P_6.2.2
Current consumption of V_S	I_{q,ON,V_S}	–	15	20	μ A	$V_{EN} = 5.0$ V; $V_S = 16$ V; $V_{CC} = 5.4$ V; $T_j < 105^\circ$ C; PFM mode	P_6.2.3
Enable high signal valid	$V_{EN,hi}$	3.0	–	–	V	–	P_6.2.4
Enable low signal valid	$V_{EN,lo}$	–	–	0.8	V	–	P_6.2.5
Enable hysteresis	$V_{EN,HY}$	50	200	400	mV	–	P_6.2.6
Enable high input current	$I_{EN,hi}$	–	–	3	μ A	$V_{EN} = 16$ V	P_6.2.7
Enable low input current	$I_{EN,lo}$	–	0.1	1	μ A	$V_{EN} = 0.5$ V	P_6.2.8
Enable internal resistor to GND	$R_{EN,INT}$	7	12	20	M Ω	$V_{EN} = 3$ V	P_6.2.9
Internal overtemperature protection							
Overtemperature shutdown	$T_{j,sd}$	155	175	195	$^\circ$ C	1)	P_6.2.14
Overtemperature shutdown hysteresis	$T_{j,sd,hyst}$	–	15	–	K		P_6.2.15

1) Specified by design. Not subject to production test.

Oscillator

7 Oscillator

7.1 Description

The oscillator supplies the device with a constant frequency. The power switch will be switched on and off with a constant frequency f_{OSC} . The time period T_{PWM} is derived from this frequency and some safety functions are synchronized to this frequency.

The oscillator frequency can be set by connecting an external resistor R_{FREQ} between pin FREQ and GND using the following table (selected values, for more precise setting please refer to [Figure 7](#)).

Frequency setting resistor

Frequency adjusting resistor	R_{FREQ}	39	43	56	82	100	k Ω	P_7.1.1
Oscillator frequency	f_{OSC}	2400	2250	1800	1330	1100	kHz	P_7.1.2

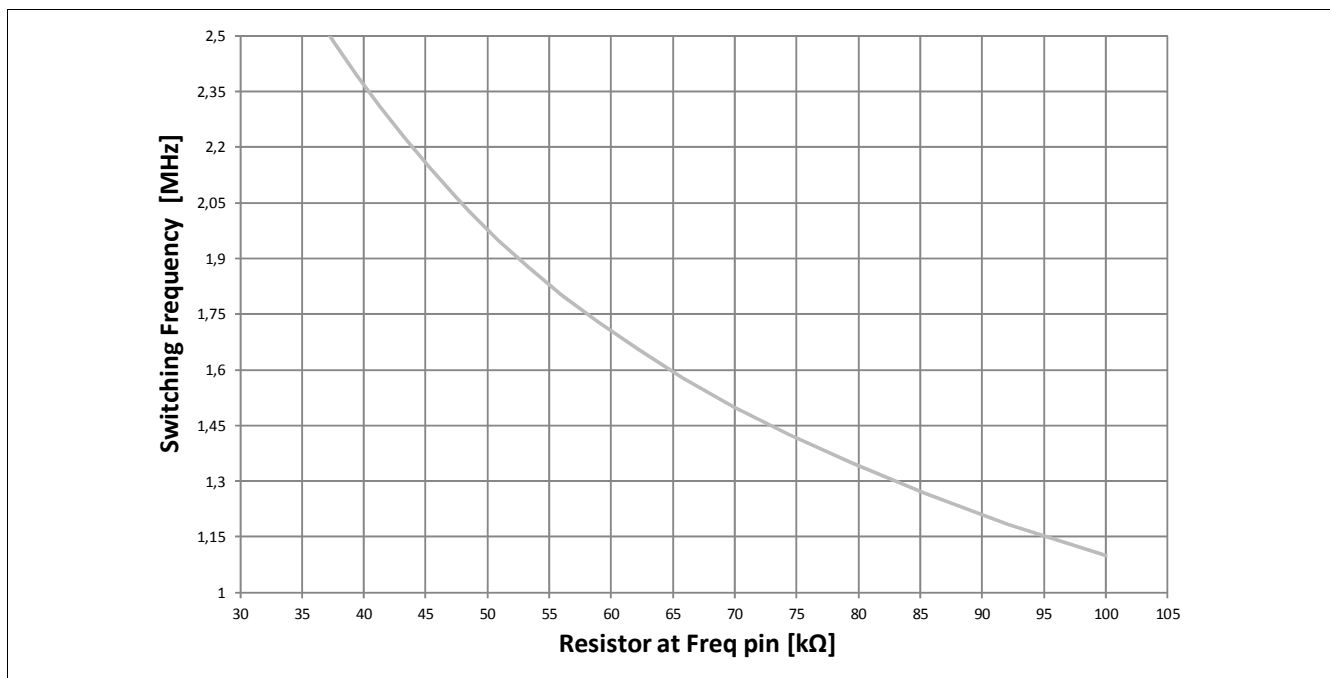


Figure 7 Switching frequency f_{OSC} versus frequency setting resistor R_{FREQ} .

The turn-on frequency can optionally be set externally via the SYNC pin. In this case the synchronization of the PWM-on signal refers to the falling edge of the SYNC-pin input signal. In case the synchronization to an external clock signal is not needed, the SYNC pin should be connected to ground. The frequency setting resistor R_{FREQ} is also necessary for SYNC option and must be dimensioned according to the desired synchronization frequency (the ratio between synchronization and internal frequency has to be less than or equal to 1).

The synchronization function is not available in PFM mode.

Oscillator

7.2 Electrical characteristics buck regulator

Table 6 Electrical characteristics: buck regulator

$V_S = 6.0\text{ V to }40\text{ V}$, $T_j = -40^\circ\text{C to }125^\circ\text{C}$, all voltages with respect to ground (unless otherwise specified)

Parameter	Symbol	Values			Unit	Note or Test Condition	Number
		Min.	Typ.	Max.			
Frequency setting FREQ							
Oscillator frequency spread	f_{osc}	2025	2250	2475	kHz	$V_{\text{SYNC}} = 0\text{ V}$; $R_{\text{FREQ}} = 43\text{ k}\Omega$	P_7.2.1
Synchronization SYNC							
Synchronization capture range	f_{sync}	1500	–	2200	kHz	–	P_7.2.2
SYNC signal high level valid	$V_{\text{SYNC,H}}$	2.9	–	–	V	1)	P_7.2.3
SYNC signal low level valid	$V_{\text{SYNC,L}}$	–	–	0.8	V	1)	P_7.2.4
SYNC input internal pull-down	$R_{\text{SYNC,INT}}$	0.15	0.25	0.40	M Ω	$V_{\text{SYNC}} = 5\text{ V}$	P_7.2.5
SYNC signal minimum high time	$t_{\text{SYNC,H,min}}$	50	–	–	ns	–	P_7.2.6
SYNC signal minimum low time	$t_{\text{SYNC,L,min}}$	50	–	–	ns	–	P_7.2.7

1) Synchronization of PWM-on signal to falling edge.

Application information

8 Application information

Note: The following information is given as a hint for the implementation of the device only and shall not be regarded as a description or warranty of a certain functionality, condition or quality of the device.

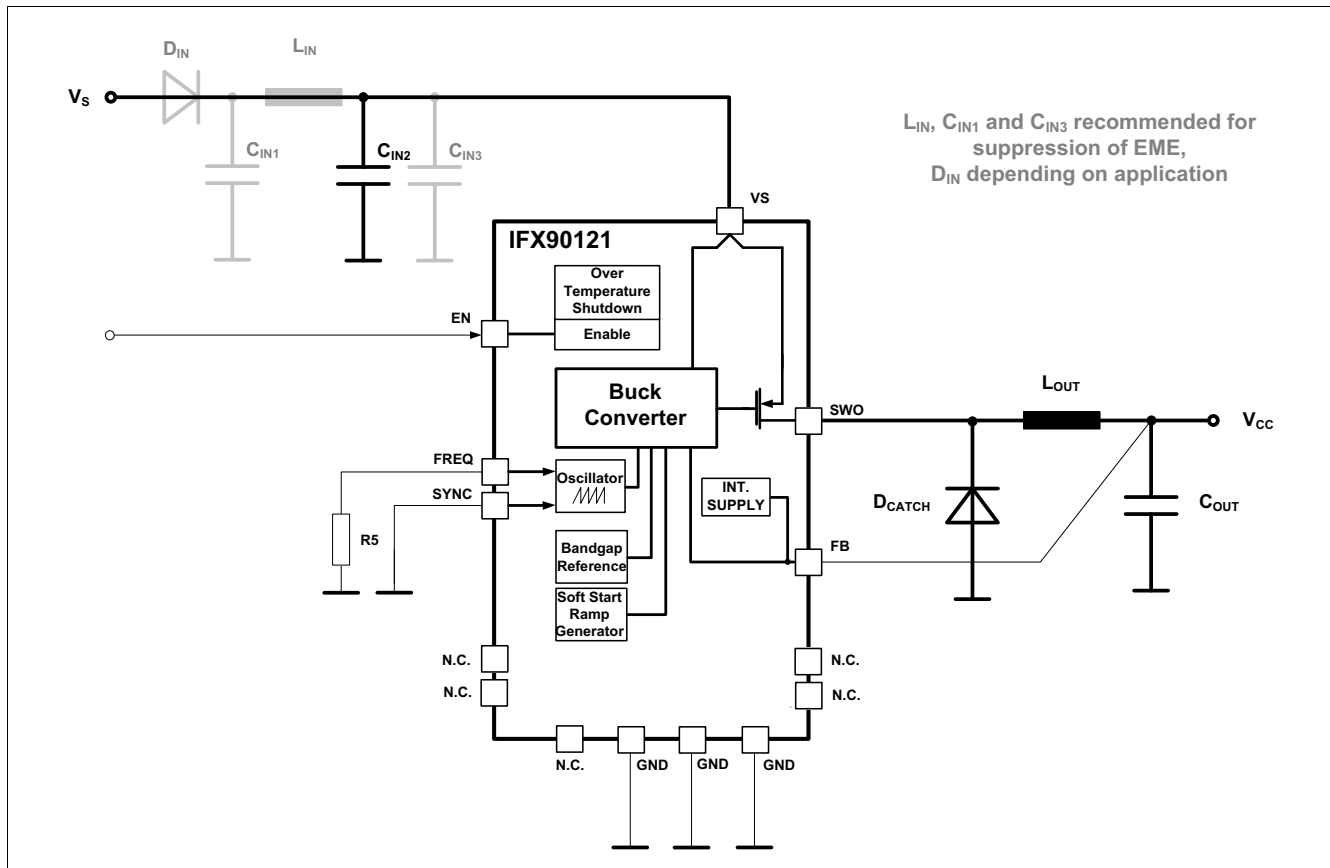


Figure 8 Application diagram

Note: This is a very simplified example of an application circuit. The function must be verified in the real application.

Part-No.	Value	Type	Manufacturer	Remark
C_{IN2}	47 μ F/50V	electrolytic	AVX	
C_{IN3}	100nF/50V	ceramic	AVX	For improving EME
C_{OUT}	10 μ F/25V	ceramic	AVX	
D_{CATCH}	1A/100V	10BQ100 Schottky	International Rectifier	1 A current capability
L_{OUT}	10 μ H	MSS1278T	Coilcraft	4.7 μ H also possible
-	-	-	-	
-	-	-	-	
-	-	-	-	
-	-	-	-	
R5	47 k Ω	0.25 W	Panasonic	f_{osc} set to 2.2 MHz

Figure 9 Bill of material for application diagram

Application information

8.1 General layout recommendations

Introduction:

A switch mode step down converter is a potential source of electromagnetic disturbances which may affect the environment as well as the device itself and cause sporadic malfunction up to damages depending on the amount of noise.

In principal we may consider the following basic effects:

- radiated magnetic fields caused by circular currents, occurring mostly with the switching frequency and their harmonics;
- radiated electric fields, often caused by (voltage) oscillations;
- conducted disturbances (voltage spikes or oscillations) on the lines, mostly input and output lines.

Radiated magnetic fields:

Radiated magnetic fields are caused by circular currents occurring in so called “current windows”. These circular currents are alternating currents which are driven by the switching transistor. The alternating current in these windows are driving magnetic fields. The amount of magnetic emissions is mainly depending on the amplitude of the alternating current and the size of the so-called “window” (this is the area, which is defined by the circular current paths.

We can divide into two windows:

- the input current “window” (path consisting of C_{IN2} , C_{IN3} , L_{OUT} and C_{OUT}): Only the alternate content of the input current I_S is considered;
- the output current “window” (path consisting of D_{CATCH} , L_{OUT} and C_{OUT}): Output current ripple ΔI .

The area of these “windows” has to be kept as small as possible, with the relating elements placed next to each others as close as possible. It is highly recommended to use a ground plane as a single layer which covers the complete regulator area with all components shown in the application diagram. All connections to ground shall be as short as possible.

Radiated electric fields:

Radiated electric fields are caused by voltage oscillations occurring by stray inductances and stray capacitances at the connection between internal power stage (pin SWO), freewheeling diode D_{CATCH} , and output capacitor C_{OUT} . They are also of course influenced by the commutation of the current from the internal power stage to the freewheeling diode D_{CATCH} . Their frequencies might be above 100 MHz. Therefore, it is recommended to use a fast Schottky diode and to keep the connections in this area as low inductive as possible. This can be achieved by using short and broad connections and by arranging the related parts as close as possible. Following the recommendation of using a ground layer these low inductive connections will form together with the ground layer small capacitances which are desirable to damp the slope of these oscillations. The oscillations use connections or wires as antennas, this effect can also be minimized by the short and broad connections.

Conducted disturbances:

Conducted disturbances are voltage spikes or voltage oscillations, occurring permanently or by occasion mostly on the input or output connections. Comparable to the radiated electric fields they are caused by voltage stage, freewheeling diode D_{CATCH} , and output capacitor C_{OUT} .

Their frequencies might be above 100 MHz. They are super positioned to the input and output voltage and might therefore disturb other components of the application.

The countermeasures against conducted disturbances are similar to the radiated electric fields:

Application information

- it is recommended to use short and thick connections between the single parts of the converter;
- all parts shall be mounted close together;
- additional filter capacitors (ceramic, with low ESR i.e. C_{IN3} in the application diagram) in parallel to the output and input capacitor and as close as possible to the switching parts. Input and load current must be forced to pass these devices, do not connect them via thin lines. Recommended values from 10 nF to 220 nF;
- for the input filter a so called π – Filter for maximum suppression might be necessary, which requires additional capacitors on the input.

8.2 Further application information

- Please contact us for information regarding the FMEA pin
- Existing Application Notes with more detailed information about the possibilities of this device
- For further information you may contact <http://www.infineon.com/>

Package outlines

9 Package outlines

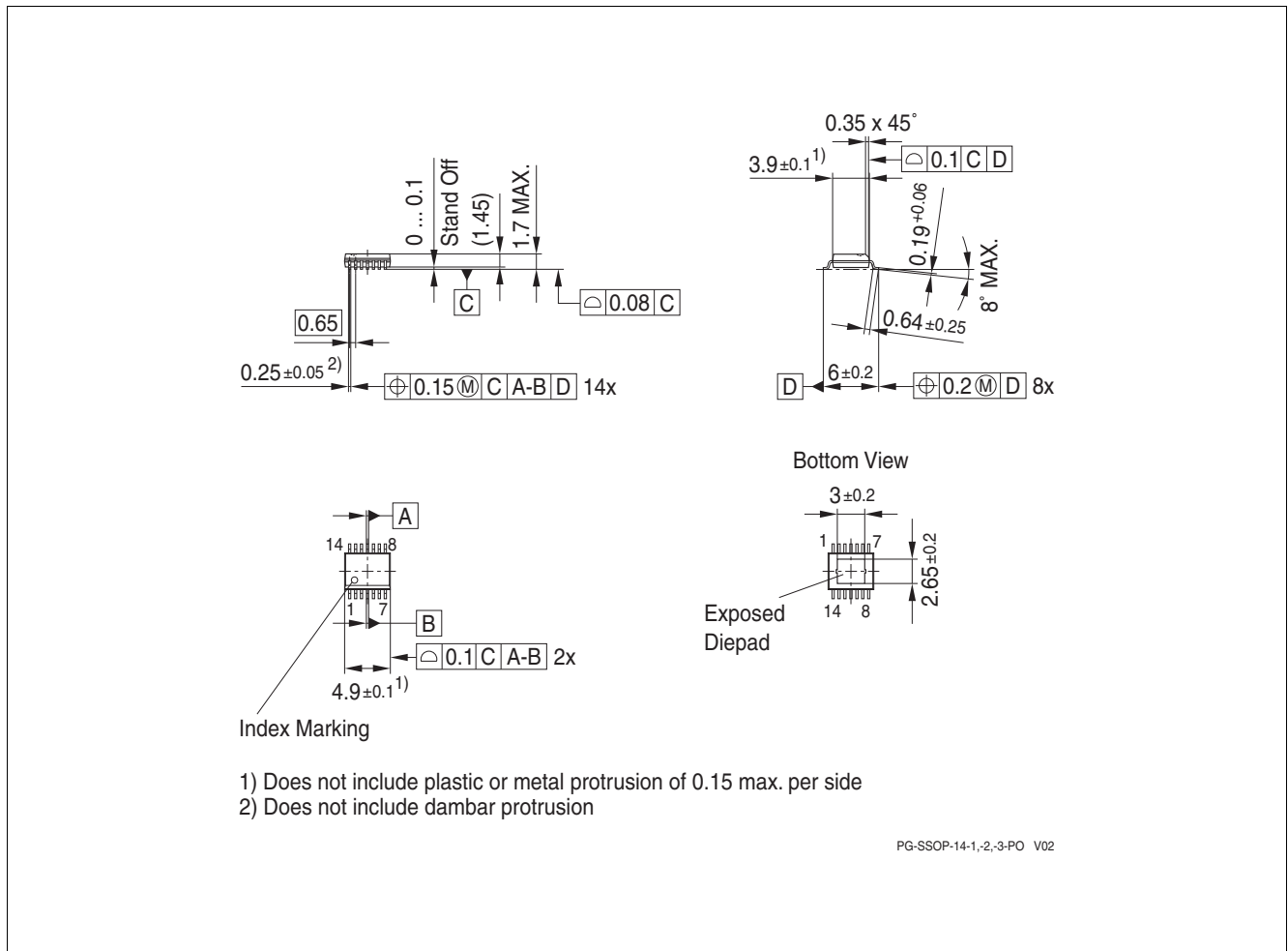


Figure 10 Package outline PG-SSOP-14

Green Product (RoHS compliant)

To meet the world-wide customer requirements for environmentally friendly products and to be compliant with government regulations the device is available as a green product. Green products are RoHS-Compliant (i.e Pb-free finish on leads and suitable for Pb-free soldering according to IPC/JEDEC J-STD-020).

For further information on alternative packages, please visit our website:
<http://www.infineon.com/packages>.

Dimensions in mm

Revision history**10 Revision history****Table 7 Revision history**

Revision	Date	Changes
Rev 1.1	2018-03-06	P_7.2.6 Min value changed from 25 ns to 50 ns. P_7.2.7 Min value changed from 25 ns to 50 ns. Editorial changes.
Rev 1.0	2013-06-19	Initial data sheet.

Trademarks

All referenced product or service names and trademarks are the property of their respective owners.

Edition 2018-03-07

Published by

Infineon Technologies AG

81726 Munich, Germany

© 2018 Infineon Technologies AG.

All Rights Reserved.

Do you have a question about any aspect of this document?

Email: erratum@infineon.com

Document reference

IMPORTANT NOTICE

The information given in this document shall in no event be regarded as a guarantee of conditions or characteristics ("Beschaffenhheitsgarantie").

With respect to any examples, hints or any typical values stated herein and/or any information regarding the application of the product, Infineon Technologies hereby disclaims any and all warranties and liabilities of any kind, including without limitation warranties of non-infringement of intellectual property rights of any third party.

In addition, any information given in this document is subject to customer's compliance with its obligations stated in this document and any applicable legal requirements, norms and standards concerning customer's products and any use of the product of Infineon Technologies in customer's applications.

The data contained in this document is exclusively intended for technically trained staff. It is the responsibility of customer's technical departments to evaluate the suitability of the product for the intended application and the completeness of the product information given in this document with respect to such application.

For further information on technology, delivery terms and conditions and prices, please contact the nearest Infineon Technologies Office (www.infineon.com).

WARNINGS

Due to technical requirements products may contain dangerous substances. For information on the types in question please contact your nearest Infineon Technologies office.

Except as otherwise explicitly approved by Infineon Technologies in a written document signed by authorized representatives of Infineon Technologies, Infineon Technologies' products may not be used in any applications where a failure of the product or any consequences of the use thereof can reasonably be expected to result in personal injury.