

PART  
NAME

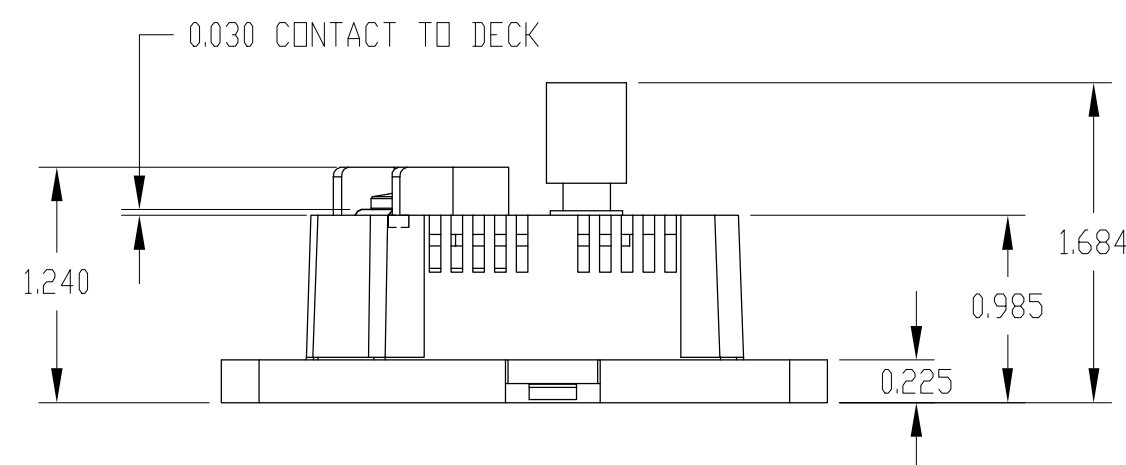
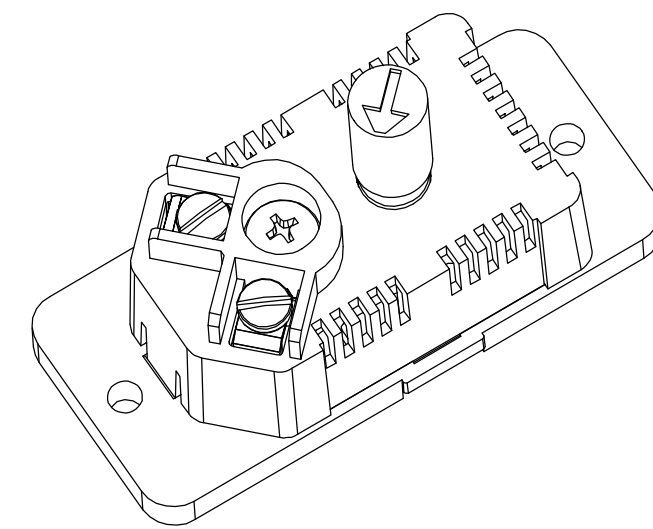
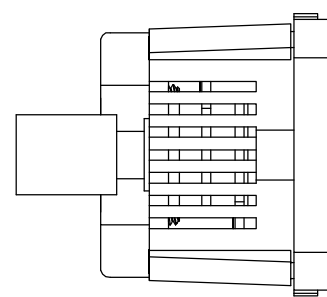
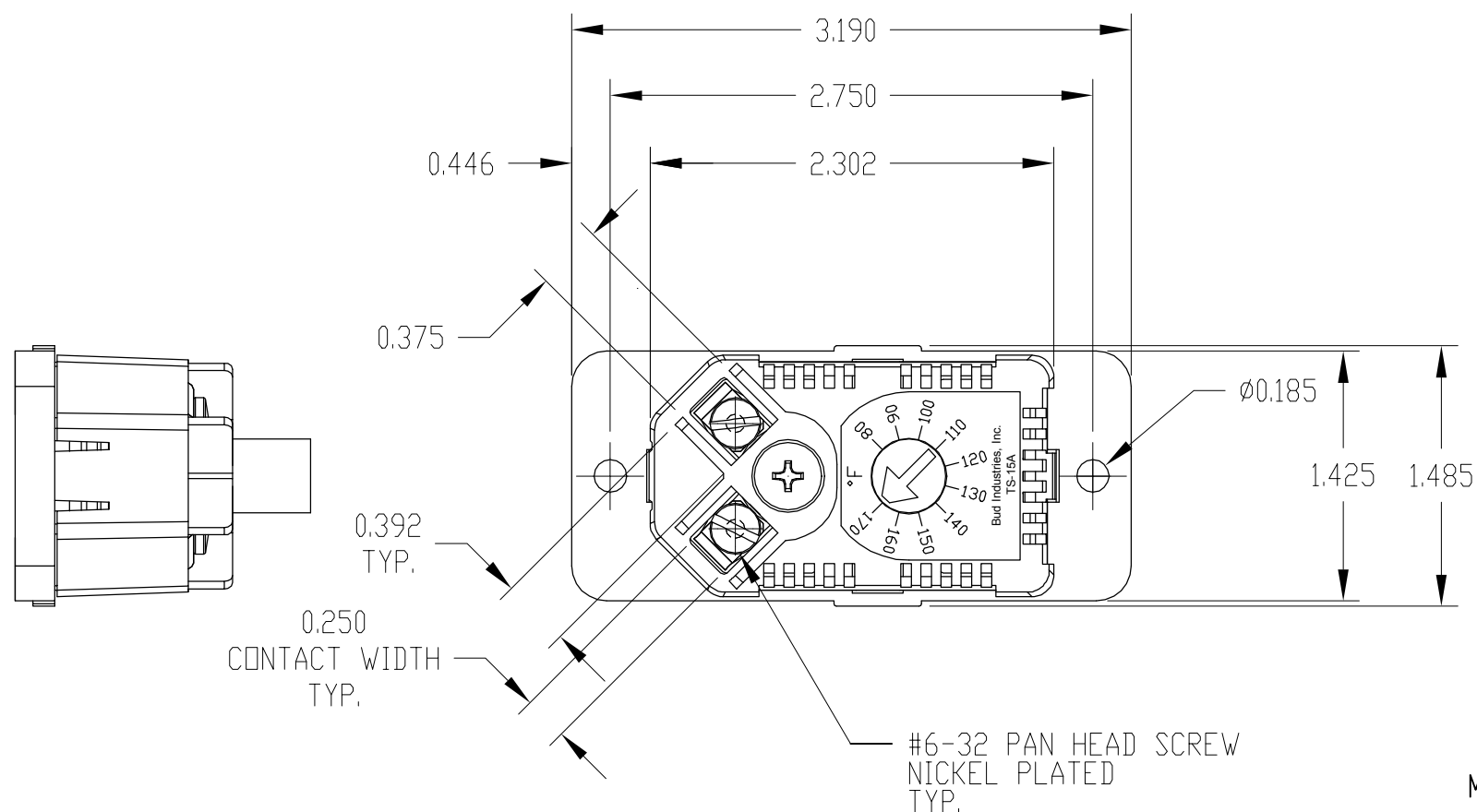
TEMPERATURE CONTROLLER

PART  
No.

TS-15A

REV.  
DATE

1-8-10



**MATERIALS:**

Body and Base: Glass Filled Nylon, Black, UL94-5VA  
 Contacts: Nickel Plated Steel  
 Temperature Controller: Bi-Metallic  
 Pointer Knob: ABS Plastic, Natural

UL FILE NUMBER: E332047

**SPECIFICATIONS:**

Normally Open, Close on temperature rise  
 Temperature Range: 80°-170°F  
 Switching Difference (hysteresis): 10°F ± 5°F (6°C ± 3K)  
 Max. Tolerance: ±8°F (4K)  
 Service Life: 100,000 cycles at 120 VAC, 30,000 cycles at 240 VAC  
 Switching Capacity (max. load): 15A resistive at 120 VAC, 10A resistive at 240 VAC  
 Connection: 2-pole terminal, #6 ring or spade. Use #6 pan head screws only (provided).  
 Weight: 2.1 oz (59.5g)  
 Operating temperature: -4 to 250°F (-20 to 121°C)  
 Storage temperature: -49 to 250°F (-45 to 121°C)  
 Protection Type: IP30  
 Scale on Housing: 80 to 170°F

To learn more about electronic enclosure accessories visit <http://www.budind.com/>