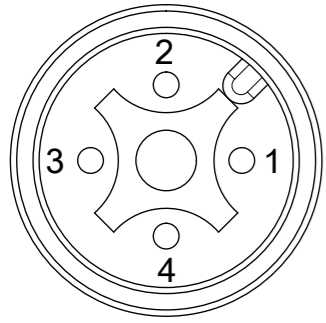


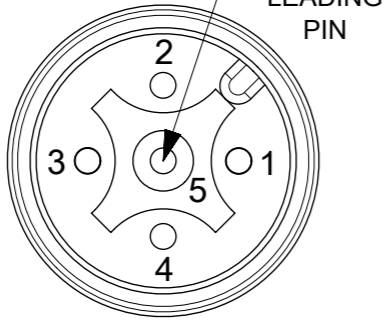
U12 4 POLE MALE



VIEW FROM THE FRONT SIDE

Pin	Wire color	
1	BROWN	BN
2	WHITE	WH
3	BLUE	BU
4	BLACK	BK

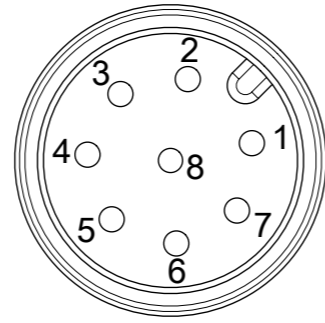
U12 5 POLE MALE



VIEW FROM THE FRONT SIDE

Pin	Wire color	
1	BROWN	BN
2	WHITE	WH
3	BLUE	BU
4	BLACK	BK
5	GREEN/YELLOW	GN/YE

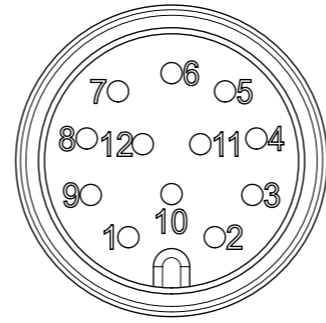
U12 8 POLE MALE



VIEW FROM THE FRONT SIDE

Pin	Wire color	
1	WHITE	WH
2	BROWN	BN
3	GREEN	GN
4	YELLOW	YE
5	GREY	GY
6	PINK	PK
7	BLUE	BU
8	RED	RD

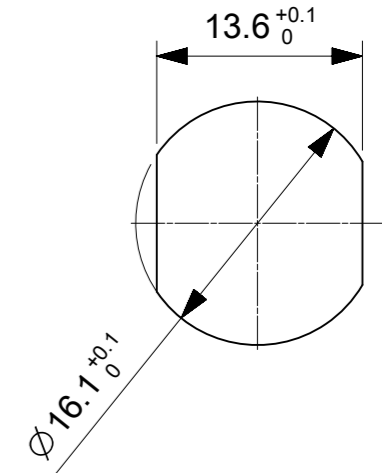
U12 12 POLE MALE



VIEW FROM THE FRONT SIDE

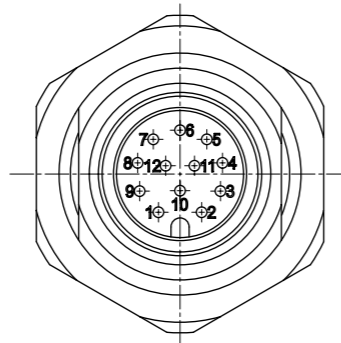
Pin	Wire color	
1	WHITE	WH
2	BROWN	BN
3	GREEN	GN
4	YELLOW	YE
5	GREY	GY
6	PINK	PK
7	BLUE	BU
8	RED	RD
9	BLACK	BK
10	VIOLET	VT
11	GREY/PINK	GY/PK
12	RED/BLUE	RD/BU

PANEL CUTOUT

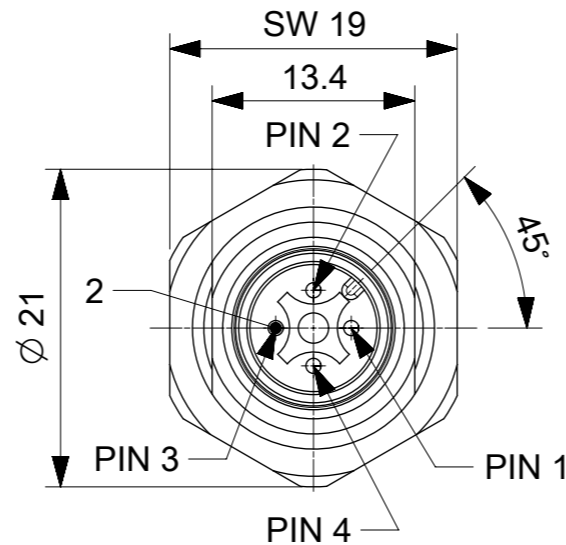


NOTES:

- VOLTAGE RATING 4P: 250V AC / DC
- VOLTAGE RATING 5P: 60V AC / DC
- VOLTAGE RATING 8P: 30V AC / 36V DC
- VOLTAGE RATING 12P: 30V AC / DC
- AMPERAGE RATING 4P, 5P: 4A
- AMPERAGE RATING 8P: 2A
- AMPERAGE RATING 12P: 1.5A
- PROTECTION CLASS: IP 67
- OPERATING TEMPERATURE: -25°C to +90°C



KEYWAY POSITION FOR 12P



KEYWAY POSITION FOR 4P, 5P AND 8P

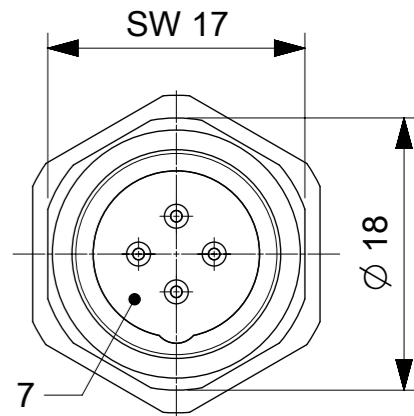
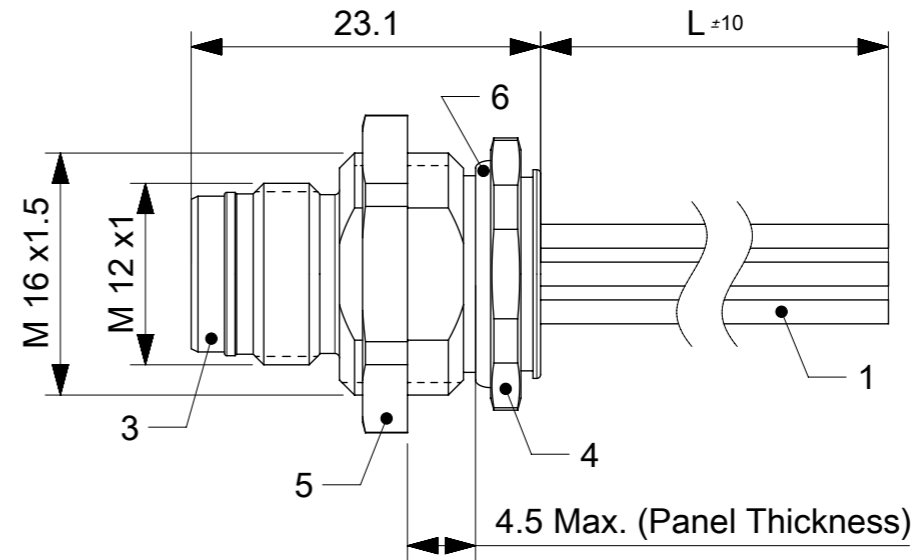


TABLE 1

ITEM	QTY.	DESCRIPTION	MATERIAL	FINISH
7	-	POTTING MATERIAL	WEVO	-
6	1	O-RING BLACK	NBR	-
5	1	LOCKNUT M16x1.5	BRASS	Ni
4	1	SHELL M12x1 M16x1.5	BRASS	Ni
3	1	INSERT U12 MALE 4P/5P/8P/12P BK	PA	-
2	4/5/8/12	CONTACT MALE	BRASS	Au
1	-	WIRE 22/24/26 AWG UL1569	PVC	-

RELEASE STATUS P1 RELEASE DATE 30.05.2017 12:22:41

<p>QUALITY SYMBOLS</p> <p>FA = 0</p> <p>FE = 0</p> <p>FP = 0</p> <p>FV = 0</p> <p>FC = 0</p> <p>FX = 0</p> <p>FQ = 0</p> <p>FR = 0</p>				<p>THIS DRAWING CONTAINS INFORMATION THAT IS PROPRIETARY TO MOLEX ELECTRONIC TECHNOLOGIES, LLC AND SHOULD NOT BE USED WITHOUT WRITTEN PERMISSION</p>				<p>DATE: 2017/05/25</p> <p>DATE: 2017/05/30</p>				<p>GENERAL TOLERANCES (UNLESS SPECIFIED)</p> <p>ANGULAR TOL ± 1.0 °</p> <p>4 PLACES ±</p> <p>3 PLACES ±</p> <p>2 PLACES ± 0.05</p> <p>1 PLACE ± 0.3</p> <p>0 PLACES ± 0.5</p>				<p>DIMENSION UNITS</p> <p>MM</p>		<p>SCALE</p> <p>2:1</p>		<p>DRWN BY: FGAIK DATE: 2016/11/17</p> <p>CHK'D BY: DATE:</p> <p>APPR BY: RSILLER DATE: 2016/11/23</p> <p>DRAWING SIZE: A3 THIRD ANGLE PROJECTION</p>				<p>molex</p> <p>REC U12 XP AC MA PVC XM M16 BM BRA</p> <p>PRODUCT CUSTOMER DRAWING</p>			
<p>EC NO: 117406</p> <p>DRWN: FGAIK</p> <p>CHK'D: BBRAUCH</p> <p>APPR: BBRAUCH</p>				<p>DRAFT WHERE APPLICABLE MUST REMAIN WITHIN DIMENSIONS</p>				<p>DRWN BY: FGAIK DATE: 2016/11/17</p> <p>CHK'D BY: DATE:</p> <p>APPR BY: RSILLER DATE: 2016/11/23</p>				<p>DRAWING SIZE: A3</p>		<p>THIRD ANGLE PROJECTION</p>		<p>SERIES: 120084 MATERIAL NUMBER: SEE SHEET 2 CUSTOMER: GENERAL MARKET</p>											
<p>REV: A1</p>				<p>DATE: 2017/05/25</p>				<p>DATE: 2017/05/30</p>				<p>DATE: 2016/11/17</p>		<p>DATE: 2016/11/23</p>		<p>DOCUMENT NUMBER: 1200845036 DOC TYPE: PSD DOC PART: 000 SHEET NUMBER: 1 OF 2</p>											

ENGINEERING No. - NUMERICAL CODE (Available parts see PART LIST table. Other parts available upon request)

W R X U 4 6 X X X X X X X X

OPTIONS

WR = U12 REC

Poles:
4 = 4 Poles
5 = 5 Poles
8 = 8 Poles
C = 12 Poles

Shell Type

Wires:
E01 = 26AWG PVC
E02 = 24AWG PVC
E03 = 22AWG PVC

Unit:
M = Meter
C = Centimeter

Length
Examples:
005 = 0.5 unit
010 = 1 unit
100 = 10 units

Shell Material
blank, 3 = Brass


WIRES INFORMATION

WIRE TYPE	AWG	CONSTRUCTION	INSULATION	UL	RATED TEMPERATURE	RATED VOLTAGE	INSULATION DIAMETER
E01	26	7x0.16mm	PVC	UL 1569	105°C	300V	1.30±0.05mm
E02	24	11x0.16mm	PVC	UL 1569	105°C	300V	1.43±0.05mm
E03	22	17x0.16mm	PVC	UL 1569	105°C	300V	1.58±0.05mm

PART LIST

Molex PN	Engineering No.	L [mm]
1200845019	WRCU46E01C300	300
1200845036	WR4U46E03C3003	300
1200845098	WR8U46E02C300	300
1200845161	WR5U46E03C3003	300
1200848122	WRCU46E01M010	1000
1200848171	WR8U46E02C500	500
1200848179	WR4U46E03C0503	50

RELEASE STATUS P1 RELEASE DATE 30.05.2017 12:22:41

<p>QUALITY SYMBOLS</p> <p>FA = 0</p> <p>FE = 0</p> <p>FP = 0</p> <p>FV = 0</p> <p>FC = 0</p> <p>FX = 0</p> <p>FS = 0</p> <p>FV = 0</p>	THIS DRAWING CONTAINS INFORMATION THAT IS PROPRIETARY TO MOLEX ELECTRONIC TECHNOLOGIES, LLC AND SHOULD NOT BE USED WITHOUT WRITTEN PERMISSION										
	<p>2017/05/25</p> <p>2017/05/30</p>	GENERAL TOLERANCES (UNLESS SPECIFIED)		DIMENSION UNITS	SCALE	 <p>REC U12 XP AC MA PVC XM M16 BM BRA</p>					
		ANGULAR TOL ± 1.0 °		MM	1:1						
		4 PLACES ±	FGAIK		DATE						
		3 PLACES ±	2016/11/17		DATE						
	<p>EC NO: 117406</p> <p>DRWN: FGAIK</p> <p>CHK'D: BBRAUCH</p> <p>APPR: BBRAUCH</p>	2 PLACES ± 0.05		CHK'D BY	DATE	<p>PRODUCT CUSTOMER DRAWING</p> <p>SERIES MATERIAL NUMBER CUSTOMER</p> <p>120084 SEE PART LIST GENERAL MARKET</p> <p>DOCUMENT NUMBER DOC TYPE DOC PART SHEET NUMBER</p> <p>1200845036 PSD 000 2 OF 2</p>					
		1 PLACE ± 0.3	APPR BY		DATE						
		0 PLACES ± 0.5	RSILLER		2016/11/23						
		DRAFT WHERE APPLICABLE MUST REMAIN WITHIN DIMENSIONS		DRAWING SIZE	THIRD ANGLE PROJECTION						
	A3		