

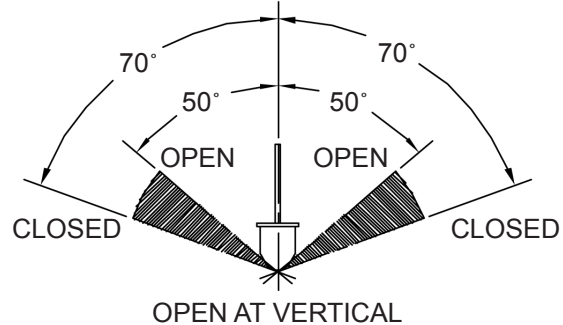
Part Number: AG1262-1
Normally Open Tip Over Switch
Product Data Sheet

PICTURE



✓ RoHS Compliant

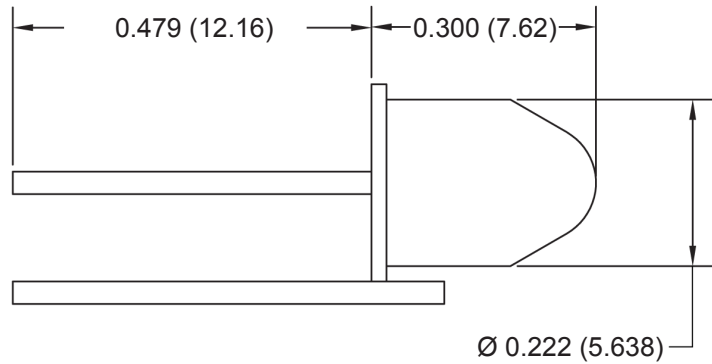
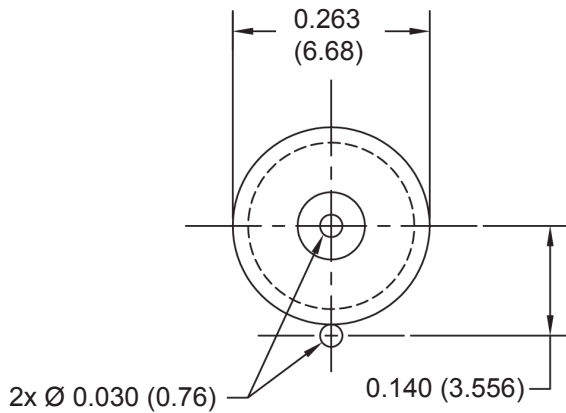
OPERATION



FEATURES

- Resistant to Ambient Environmental Conditions
- Case Material : Un-Plated
- Mechanical Stress Resistant
- Hermetically Sealed & Inert Gas Filled

DIMENSIONS



Drawings not to scale.
 All dimensions in inches (mm) nominal.

SPECIFICATION

Contact Rating	0.001 A at 3.6V DC
Voltage Drop	10% MAX at a Load of 27 Kohms, 3.6 VDC
Contact Resistance	1000 Ohms MAX
Make Angle	50° - 70° from vertical
Operating Temperature	-37° +100°C

As part of the company policy of continued product improvement, specifications may change without notice. Our sales office will be pleased to help you with the latest information on this product range and the details of our full design and manufacturing service. All products are supplied to our standard conditions of sale unless otherwise agreed in writing.

Phone: (1) 973 777 6900

www.comus-intl.com

Fax: (1) 973 777 8405