

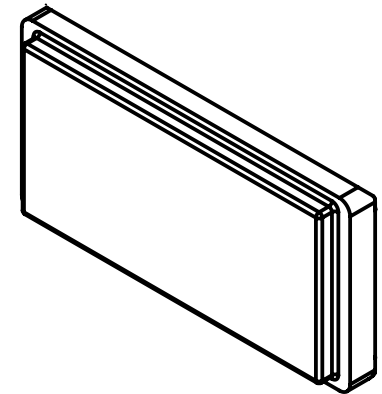
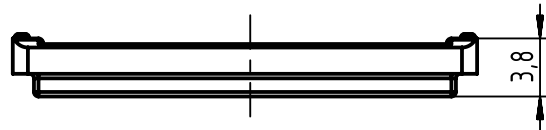
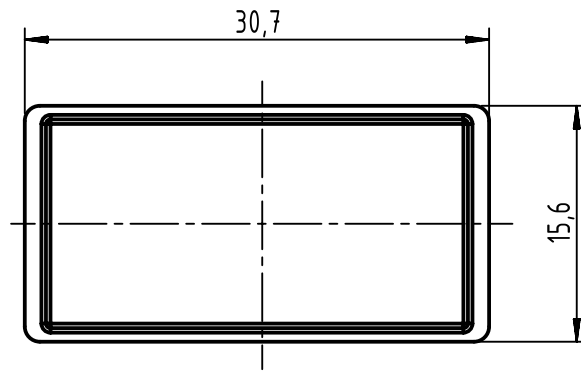
1 2 3 4 5 6

A


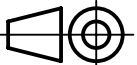
B

C

D



packaging quantity: 20 pieces

	All rights reserved Department EL PD	Created by TADJE	Inspected by LEHNERT	Standardisation HOFFMANN	Date 2019-11-21	State Final Release	
		Title DIN Power blinding piece for shell housing D20				Doc-Key / ECM-Nr. 100077466/UGD/007/C 500000161177	
HARTING Electronics GmbH D-32339 Espelkamp		Type TB	Number 09068009951			Rev. C	Page 1/1
 All Dimensions in mm Original Size DIN A4		Scale 1:1	Free size tol.			Ref.	
					Sub.		