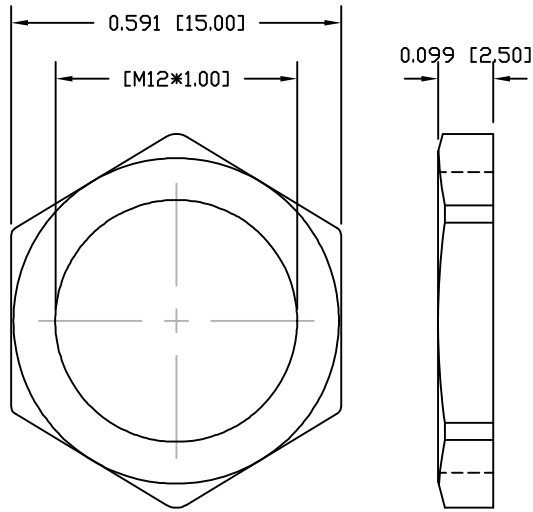


DESCRIPTION: M8 FEMALE - PANEL MOUNT (REAR) - SOLDER CUP - 4 POS.



NUT

NOTE:

MATERIAL

HOUSING: PBT UL94V-0, BLACK
 CONTACT: BRASS
 SHELL: BRASS
 NUT: BRASS
 O-RING 1: NBR, BLACK
 O-RING 2: EPDM
 FINISH:
 CONTACT: GOLD PLATED
 OVER 50µ" NICKEL
 SHELL: NICKEL

ELECTRICAL

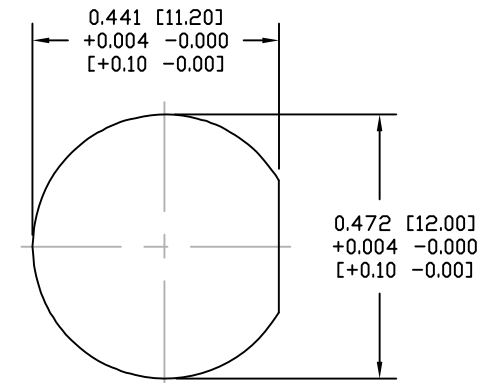
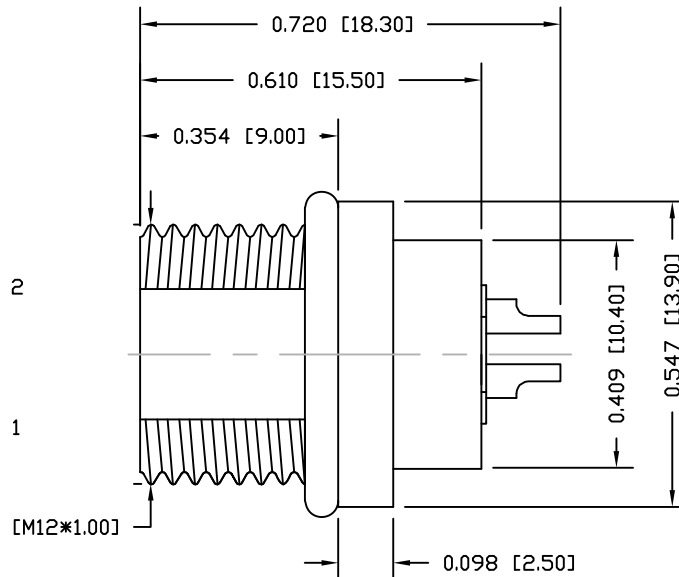
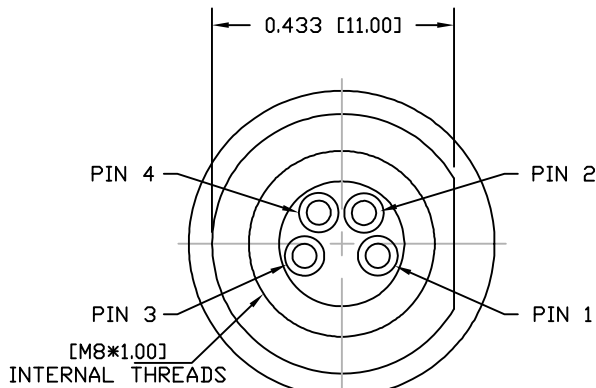
RATED CURRENT: 3A
 RATED VOLTAGE: 60V
 INSULATION RESISTANCE: 100 MΩhms MIN.
 CONTACT RESISTANCE: 10 mΩhms MAX.
 WATER PROOF: IP67

ENVIRONMENT

OPERATION TEMPERATURE: -40°C TO +85°C
 MAX WIRE AWG: 24

855-004-203R00Y

1 = GOLD FLASH
 4 = 10µ" GOLD



PANEL CUTOUT

RoHS COMPLIANT

UNITS = INCHES [MM]

DO NOT SCALE FROM DRAWING



THESE DRAWINGS AND SPECIFICATIONS ARE THE PROPERTY OF NorComp AND SHALL NOT BE REPRODUCED, COPIED OR USED AS THE BASIS FOR THE MANUFACTURE OR SALE OF APPARATUS WITHOUT WRITTEN PERMISSION.

DRAWN:

M. SIGMON

DATE:

03-04-16

NorComp

SCALE:

NTS

SHEET

1

OF

1

REV

3

DWG NO.

855-004-203R00Y