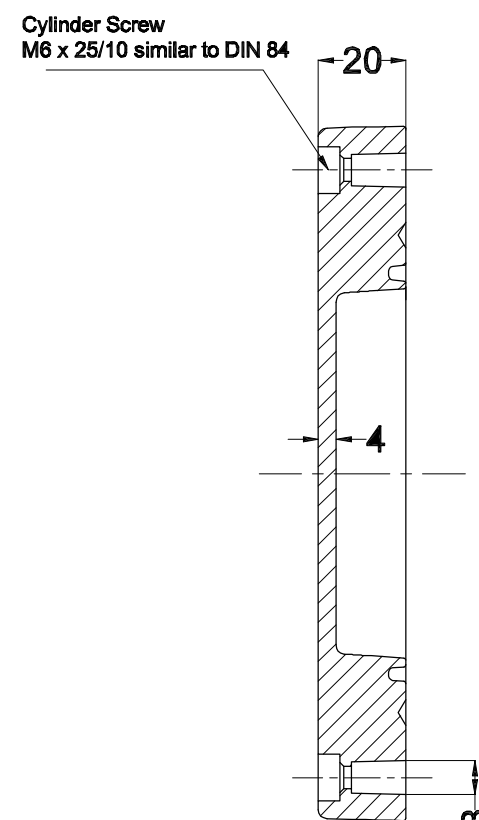
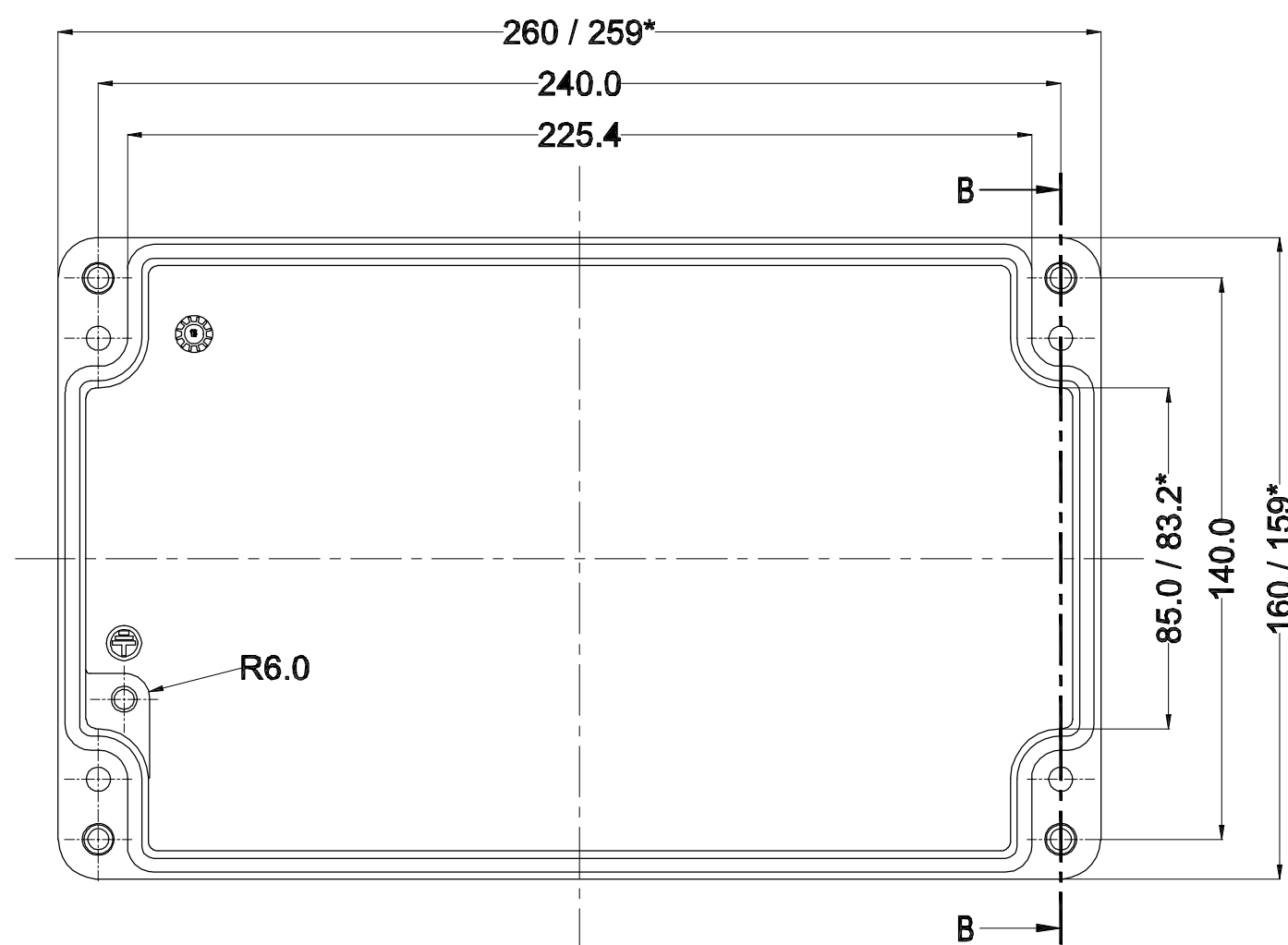
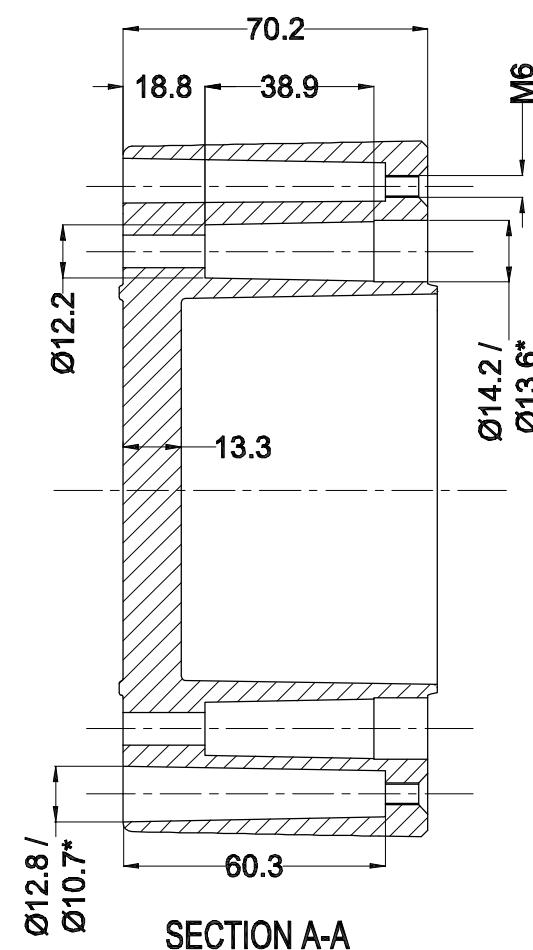
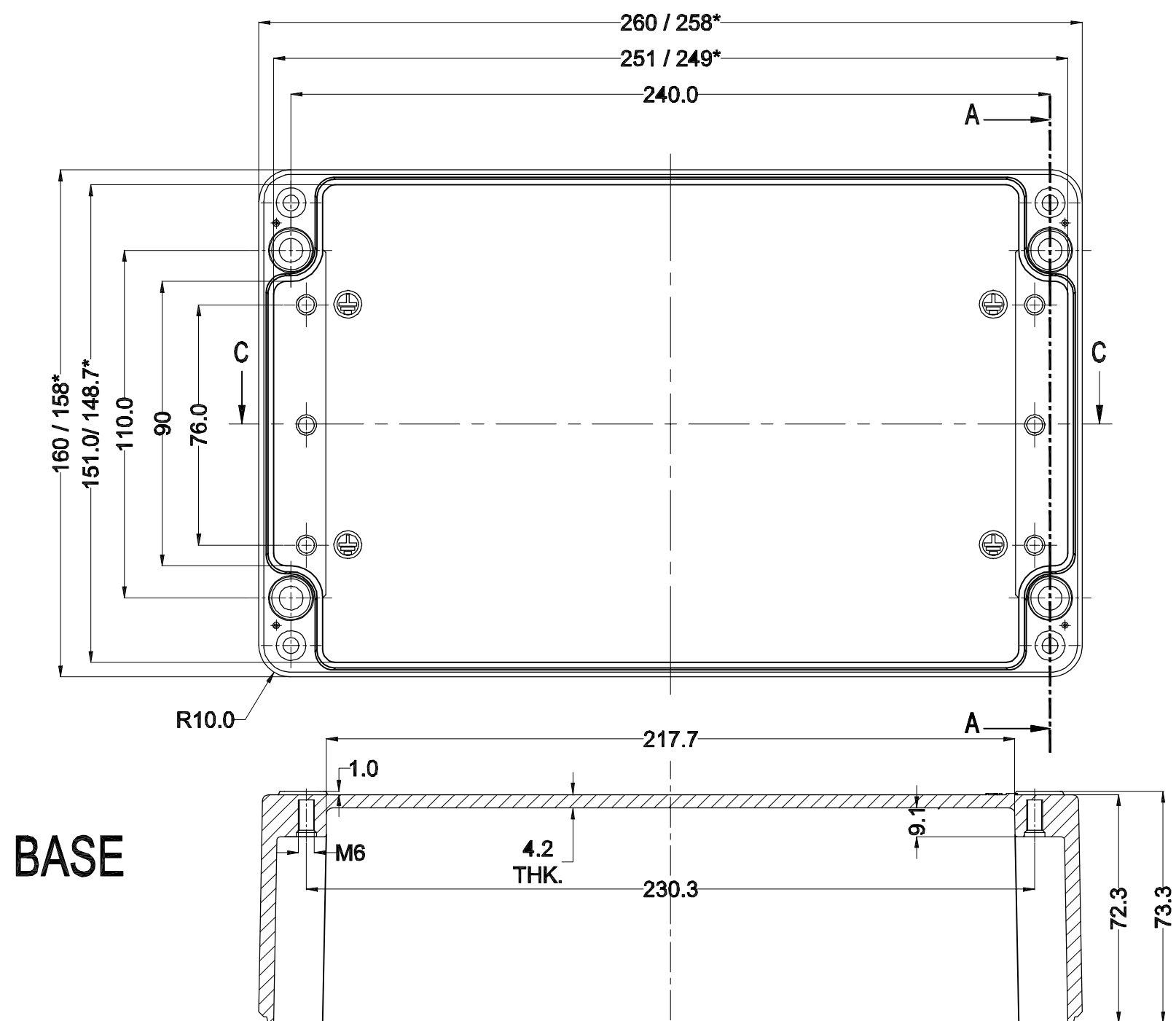


LID



SECTION B-B



SECTION A-A

SECTION C-C

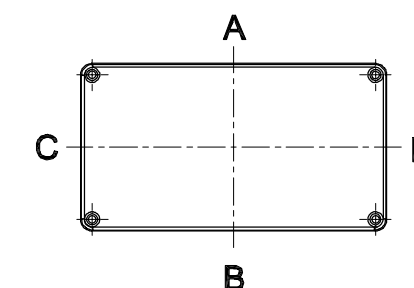
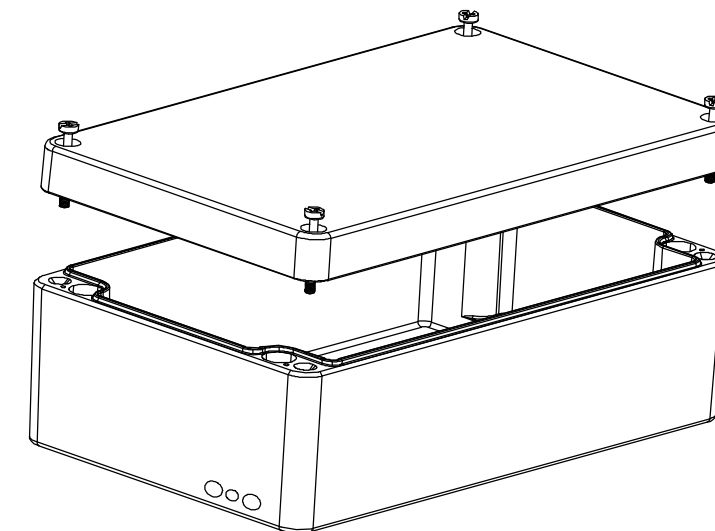
BASE

GENERAL SPECIFICATION AND AREA CLASSIFICATION:

1. MATERIAL COMPOSITION - AISI 12
2. DEGREE OF PROTECTION IP66 AS PER IEC 60529 : 1989 +A1 : 2000
3. SERVICE TEMPERATURE RANGE : - 50 °C to +135 °C
4. ALL DIMENSIONS ARE IN mm. UNLESS STATED OTHERWISE.
5. SURFACE WILL BE POWDER COATED.(RAL-7001)
6. THE JUNCTION BOX WILL BE MARKED WITH
7.
 - II 2 G Ex e IIC Gb
 - II 2 D Ex tb IIIC Db IP 66
 - 0539
 - DEMKO 13 ATEX 1327771U
 - IECEX UL 13.0042U

8. TRADE MARK

NOT TO BE REVISED WITHOUT NOTIFICATION TO THE ExCB/NOTIFIED BODY

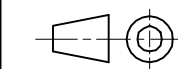


Opening Detail (Size)	NO OF HOLES SIDE A/B	Min. Distance between the opening for Side A/B (mm)	NO OF HOLES SIDE C/D	Min. Distance between the opening for Side C/D (mm)	Opening Detail (Size) PG	NO OF HOLES SIDE A/B	Min. Distance between the opening for Side A/B (mm)	NO OF HOLES SIDE C/D	Min. Distance between the opening for Side C/D (mm)	Min. Distance of last opening from the enclosure end on side A/B (mm)	Min. Distance of last opening from the enclosure end on side C/D (mm)
M12	20	11	7	11	Pg.7	20	11	7	11	22	38
M16	20	11	7	11	Pg.9	20	11	7	11	22	38
M20	15	9	6	9	Pg.11	20	8	6	11	22	40
M25	9	14	3	14	Pg.13.5	15	8	6	9	23	36
M32	5	18	2	18	Pg.16	14	10	4	10	22	39
M40	3	40	1	-	Pg.21	9	11	2	22	30	42
M50	3	28	-	-	Pg.29	5	13	2	13	27	36
M63	-	-	-	-	Pg.36	3	33	1	-	26	42
-	-	-	-	-	Pg.42	3	25	-	-	-	-
-	-	-	-	-	Pg.48	-	-	-	-	-	-

FINISH:
GRAY TEXTURE POWDERCOAT RAL 7001

OPTIONAL ACCESSORIES:
STEEL MOUNTING PLATE #MPX-515
ALUMINUM MOUNTING PLATE #MPX-515-A
EXTERNAL BRACKETS KIT #MTX-6512

DRAWING FOR REFERENCE
WE RESERVE THE RIGHT TO MAKE CHANGES TO OUR
STANDARD PRODUCTS. PLEASE CONSULT WITH BUD INDUSTRIES
PRIOR TO USING THIS DRAWING FOR DESIGN PURPOSE.



ALL DIMENSIONS ARE IN MM

PROPERTY OF RaychemRPG (P) LTD.
ALL RIGHTS RESERVED AND/OR PHOTOCOPYING THIS DOCUMENT
TO A PERSON WITHOUT RaychemRPG (P) LTD. WRITTEN AUTHORIZATION IS PROHIBITED

SR.NO.	PART NAME	DRAWING NO.	MATERIAL	QTY
5	SILICON GASKATE	JB-02GSK-14	SILICON	1
4	JB EXTERNAL EARTHING SET	-	AISI 304	1
3	LID MOUNTING SCREW	M6 JB-SCR-LD-00	AISI 304	4
2	JB-EARTHING SCREW	-	MS COPPER PLATED	2
1	JUNCTION BOX Ex-260 x160 x90	Ex-26016090	AISI 12	1

	PART NAME	EXPLOSION PROOF ENCLOSURE	PART No.	ATX-10515 (Ex-AJB-26016090)	REV. DATE	10-27-15
--	-----------	---------------------------	----------	--------------------------------	-----------	----------

B.D.M.