

6

5

4

3

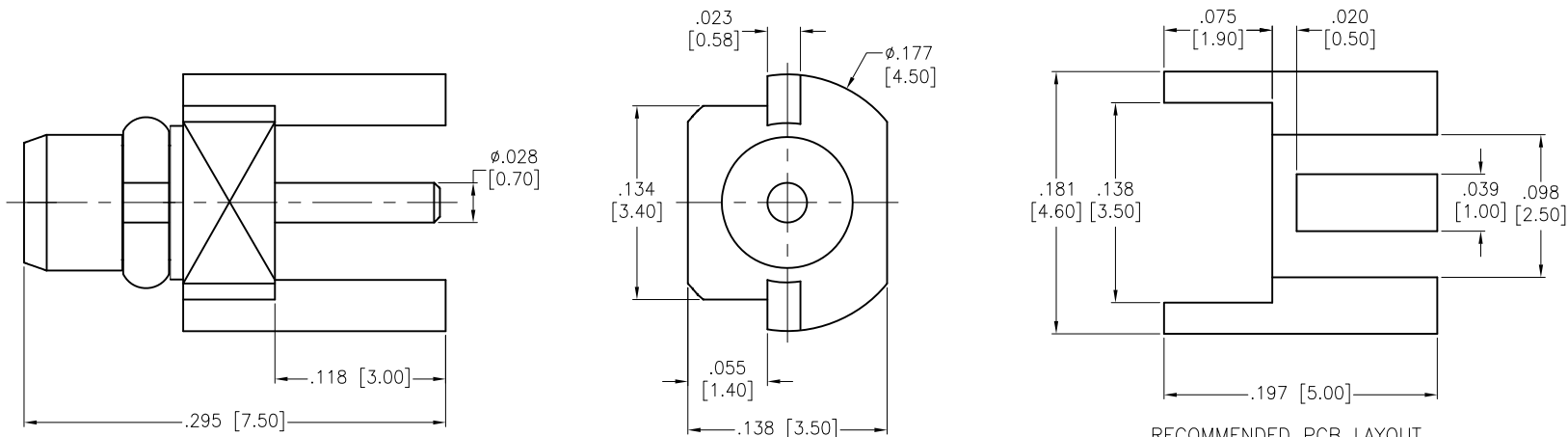
2

1

APPROVED: _____

DATE: _____ TITLE: _____

Rev	AWO #	Description	Date	Appr
-		RELEASED	7/20/16	



RECOMMENDED PCB LAYOUT

RING	BE CU	GOLD
CONTACT PIN	BRASS	GOLD
INSULATOR	PTFE	WHITE
BODY	BRASS	GOLD
DESCRIPTION	MATERIAL	FINISH

SPECIFICATIONS:

Electrical:
 Nominal Impedance: 50 ohms
 Frequency range: 0-6 GHz
 Working Voltage: 170 VOLTS Max
 Proof Voltage: 500 VOLTS
 Temperature Rating:
 Operating temperature: -55°C to +155°C
 Environmental:
 Lead free, RoHS compliant.



UNLESS OTHERWISE SPECIFIED ALL DIMENSIONS ARE INCHES [MM] TOLERANCES: EXCEPT AS NOTED		ADAM TECH 909 Rahway Avenue, Union, NJ 07083 Phone: 908-687-5000 Fax: 908-687-5710	
INCHES HOLES .X ± .10 Ø.X ± .10 .XX ± .020 Ø.XX ± .015 .XXX ± .015 Ø.XXX ± .010			
APPROVALS		TITLE	
DRAWN	AY	RF CONNECTOR, TYPE MMCX STR.	
CHECKED	SY	50 OHM, PCB MOUNT, PLUG	
APPROVED		SIZE	PART NO.
		X	RF12-25A-T-00-50-G
		REF:	S00277T
		SCALE:	NTS
		SHEET	1 OF 1

6

5

4

3

2

1