

6

5

4

3

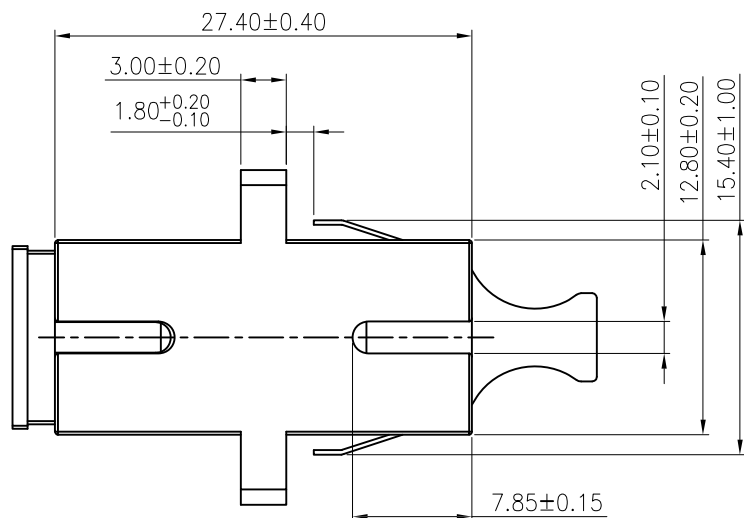
2

1

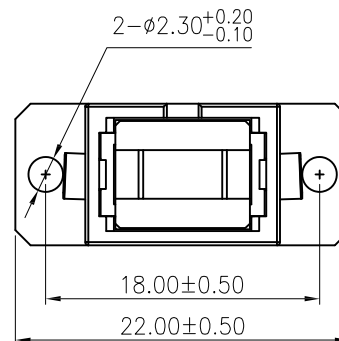
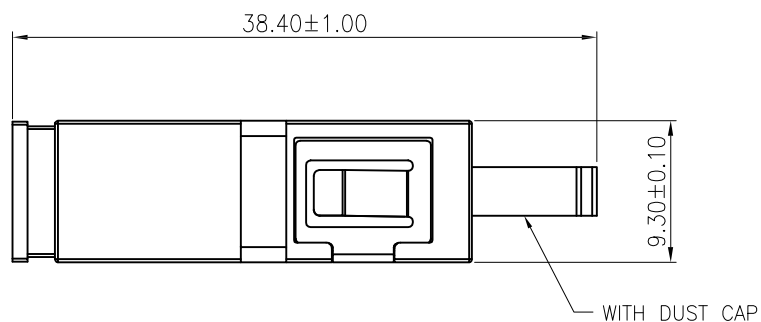
APPROVED: _____

DATE: _____ TITLE: _____

Rev	AWO #	Description	Date	Appr
-		RELEASED	9/8/20	



OPSA1ASNC1N4	SC/APC, W/O Panel Ground	7737C Green	PBT Black
OPSB1ASNC1N4	SC/PC, W/O Panel Ground	2184C Blue	PBT Black
OPSA1ASNC1P4	SC/APC, W/Panel Ground	7737C Green	PBT Black
OPSB1ASNC1P4	SC/PC, W/Panel Ground	2184C Blue	PVC Black
PART NUMBER	DESCRIPTION	Housing&Insert color	Cap Color



SPECIFICATIONS:

Material:
Housing: PBT, rated UL 94V-0, Color: See Chart
Cap: PBT, rated UL 94V-0, Color: Black
Sleeve: Zirconia Ceramic
Spring: Iron Alloy
Electrical:
Standards of IEC, EIA/TIA, Telcordia
Insertion loss: 0.2dB max
Repeatability: 500 cycles min
Temperature Rating:
Operating temperature: -25°C to +85°C
Environmental:
Lead free, RoHS compliant.



UNLESS OTHERWISE SPECIFIED ALL DIMENSIONS ARE MILLIMETERS TOLERANCES: EXCEPT AS NOTED		
MM	ANGLE	
X. ± 0.35	X.* ± 2°	
.X ± 0.30	.X* ± 1°	
.XX ± 0.25	.XX* ± 0.5°	
.XXX ± 0.15	.XXX* ± 0.5°	
APPROVALS		DATE
DRAWN	LH	9/8/20
CHECKED	JL	9/8/20
APPROVED		

ADAM TECH INTERCONNECTS 909 Rahway Avenue,
Union, NJ 07083
Phone: 908-687-5000
Fax: 908-687-5710

TITLE SC TYPE ADAPTER, APC&PC, 1 PORTS, LONG-EARED, WITH SC SMALL HANDLE DUST CAP, SOLID BLOCK		
SIZE X	PART NO. OPSX1ASNC1X4	REV. -
REF: S00005C	SCALE: NTS	SHEET 1 OF 1

6

5

4

3

2

1